



Chipsmall Limited consists of a professional team with an average of over 10 year of expertise in the distribution of electronic components. Based in Hongkong, we have already established firm and mutual-benefit business relationships with customers from,Europe,America and south Asia,supplying obsolete and hard-to-find components to meet their specific needs.

With the principle of "Quality Parts,Customers Priority,Honest Operation,and Considerate Service",our business mainly focus on the distribution of electronic components. Line cards we deal with include Microchip,ALPS,ROHM,Xilinx,Pulse,ON,Everlight and Freescale. Main products comprise IC,Modules,Potentiometer,IC Socket,Relay,Connector.Our parts cover such applications as commercial,industrial, and automotives areas.

We are looking forward to setting up business relationship with you and hope to provide you with the best service and solution. Let us make a better world for our industry!



Contact us

Tel: +86-755-8981 8866 Fax: +86-755-8427 6832

Email & Skype: info@chipsmall.com Web: www.chipsmall.com

Address: A1208, Overseas Decoration Building, #122 Zhenhua RD., Futian, Shenzhen, China



4

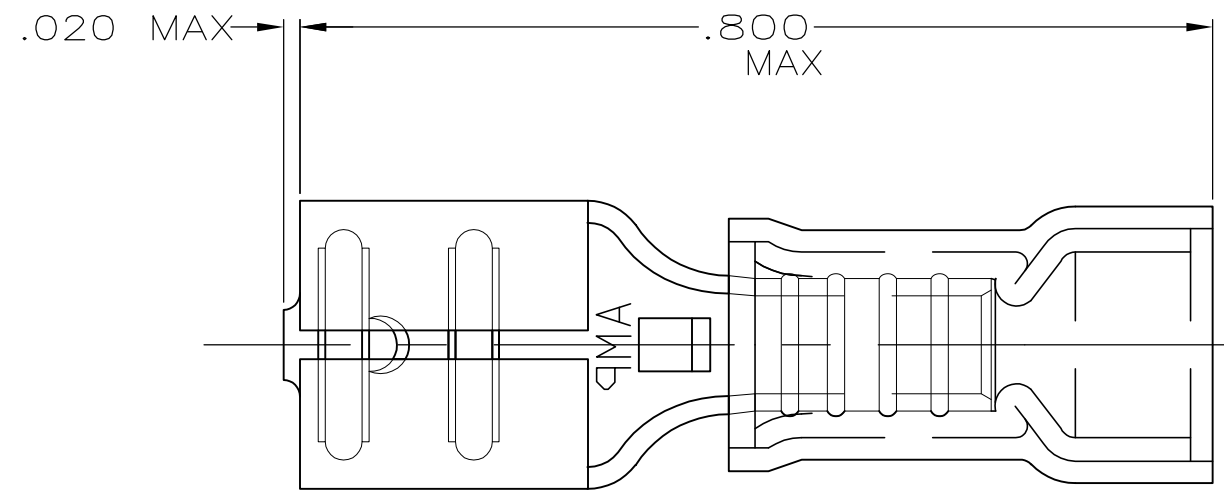
3

2

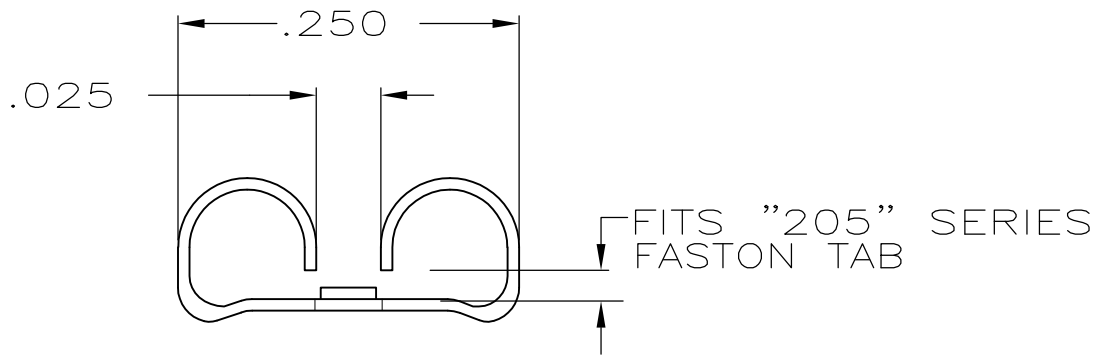
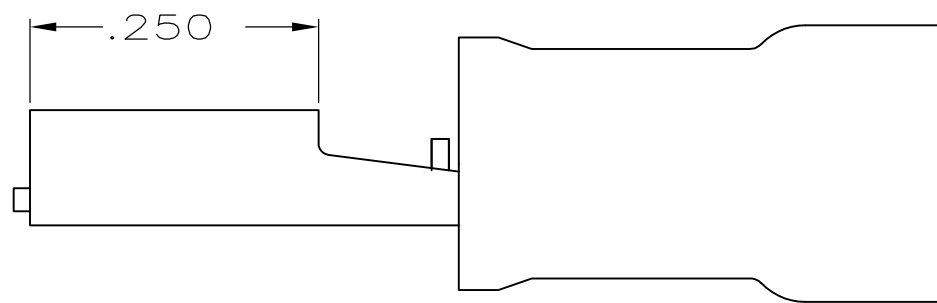
1

THIS DRAWING IS UNPUBLISHED. RELEASED FOR PUBLICATION
 © COPYRIGHT - By - ALL RIGHTS RESERVED.


LOC	DIST	REVISIONS					
		P	LTR	DESCRIPTION	DATE	DWN	APVD
G	14						
		G1		REVISED PER ECO-11-004917	11MAR11	RK	HMR



- 1. INSULATION DIA .170 MAX
- 2. FITS TAB .032 THK



QTY	PACKAGE TYPE	PART NO
100	LOOSE PC,BOX	8-640915-1
-	TAPE MOUNTED	640915-2
-	LOOSE PIECE	640915-1

AMP INCORPORATED CUSTOMER SERVICE SYSTEM		MAX RECOMMENDED OPERATING TEMPERATURE: -	THIS DRAWING IS A CONTROLLED DOCUMENT.		DWN L OLMEDA 26JUN95	 TE Connectivity RECEPTACLE, 205 SERIES, FASTON, PIDG, WIRE SIZE, 16-14 AWG					
FOR ADDITIONAL PRODUCT INFORMATION OR COPIES OF DRAWINGS AND TECHNICAL DOCUMENTS	PRODUCT INFORMATION CENTER 1-800-522-6752	VOLTAGE RATING: -	DIMENSIONS: INCHES	TOLERANCES UNLESS OTHERWISE SPECIFIED: 0 PLC ± - 1 PLC ± - 2 PLC ± .015 3 PLC ± - 4 PLC ± - ANGLES ± -	CHK M ELLIS 26JUN95				NAME		
FOR APPLICATION TOOLING INFORMATION	TOOLING ASSISTANCE CENTER 1-800-722-1111	CIRCULAR MIL AREA: -	MATERIAL BODY,BRASS .016 SLV,NYLON,COLOR, BLUE		APVD B BARE 26JUN95	PRODUCT SPEC	SIZE A3	CAGE CODE 00779	DRAWING NO C-640915	RESTRICTED TO -	
FOR ORDER ENTRY	1-800-526-5142				FINISH BODY,TIN	APPLICATION SPEC	CUSTOMER DRAWING		SCALE NTS	SHEET 1 OF 1	REV G1