



Chipsmall Limited consists of a professional team with an average of over 10 year of expertise in the distribution of electronic components. Based in Hongkong, we have already established firm and mutual-benefit business relationships with customers from,Europe,America and south Asia,supplying obsolete and hard-to-find components to meet their specific needs.

With the principle of "Quality Parts,Customers Priority,Honest Operation,and Considerate Service",our business mainly focus on the distribution of electronic components. Line cards we deal with include Microchip,ALPS,ROHM,Xilinx,Pulse,ON,Everlight and Freescale. Main products comprise IC,Modules,Potentiometer,IC Socket,Relay,Connector.Our parts cover such applications as commercial,industrial, and automotives areas.

We are looking forward to setting up business relationship with you and hope to provide you with the best service and solution. Let us make a better world for our industry!



Contact us

Tel: +86-755-8981 8866 Fax: +86-755-8427 6832



Email & Skype: info@chipsmall.com Web: www.chipsmall.com

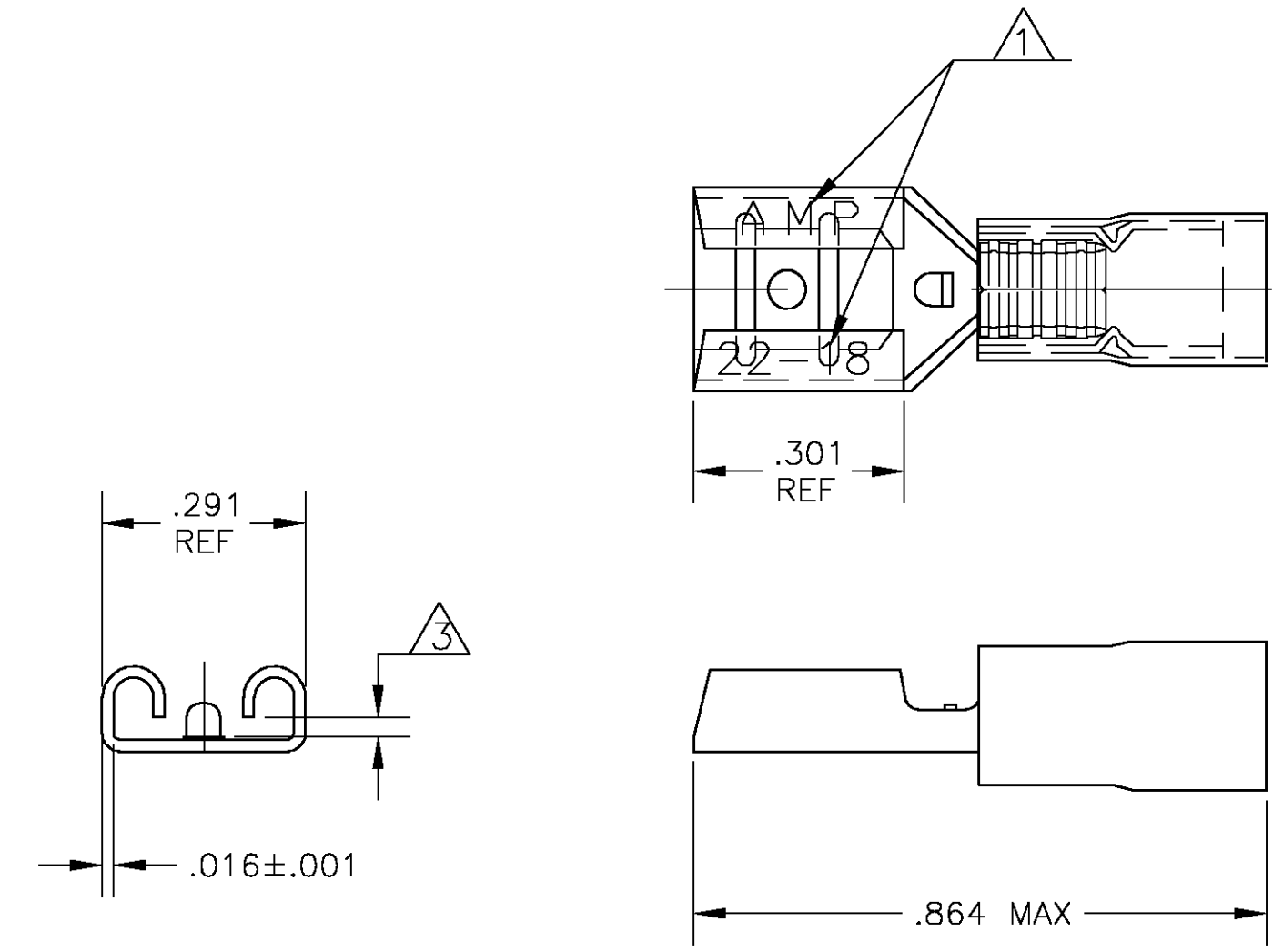
Address: A1208, Overseas Decoration Building, #122 Zhenhua RD., Futian, Shenzhen, China



THIS DRAWING IS UNPUBLISHED. RELEASED FOR PUBLICATION
 © COPYRIGHT BY TYCO ELECTRONICS CORPORATION. ALL RIGHTS RESERVED.

LOC	DIST	REVISIONS					
		P	LTR	DESCRIPTION	DATE	DWN	APVD
G	14		E1	CORRECTED ARROWHEADS	09JUN03	JR	TM

AMP WIRE RANGE	 FILE E66717	 LR7189 Certified
22-18 AWG STRANDED	22-18 AWG STRANDED	22-18 AWG STRANDED

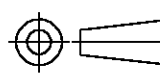



- ① MARKED AMP 22-18
- 2 DESIGNED FOR WIRE INSULATION DIA OF .090-.125.
- ③ MATES WITH .250±.003 BY .032±.001 THK TAB.
- ④ BODY: BRASS, TIN PLATED SLEEVE: VINYL, RED
- 5 RATED FOR 10 MAX AMPERE

100	LOOSE PIECE	8-696301-1
4000	ON TAPE	696301-2
1000	LOOSE PIECE	696301-1
QTY	PACKAGE TYPE	PART NO.

TYCO ELECTRONICS CUSTOMER SERVICE SYSTEM	
FOR ADDITIONAL PRODUCT INFORMATION OR COPIES OF DRAWING AND TECHNICAL DOCUMENTS	PRODUCT INFORMATION CENTER 1-800-522-6752
FOR APPLICATION TOOLING INFORMATION	TOOLING ASSISTANCE CENTER 1-800-722-1111
FOR ORDER ENTRY	1-800-526-5142

MAX RECOMMENDED OPERATING TEMPERATURE: 75°C [167°F]
VOLTAGE RATING: 300V MAX
CIRCULAR MIL AREA: 509-1,900 STRANDED

THIS DRAWING IS A CONTROLLED DOCUMENT.	
DIMENSIONS: INCHES	TOLERANCES UNLESS OTHERWISE SPECIFIED:
	0 PLC ± - 1 PLC ± - 2 PLC ± - 3 PLC ± .008 4 PLC ANGLES ± -
MATERIAL - ④	FINISH - ④

DWN JR RUTH 15MAR01	 Tyco Electronics Corporation Harrisburg, PA. 17057
CHK MS FEHER 15MAR01	
APVD T MICHELUTTI 15MAR01	
PRODUCT SPEC	
APPLICATION SPEC	NAME RECEPTACLE, 250 SERIES, FASTON, BUDGET, PRE-INSULATED, WIRE:22-18 AWG
WEIGHT -	SIZE A3 CAGE CODE 00779 DRAWING NO C-696301 RESTRICTED TO -
CUSTOMER DRAWING	SCALE 4:1 SHEET 1 OF 1 REV E1