



Chipsmall Limited consists of a professional team with an average of over 10 year of expertise in the distribution of electronic components. Based in Hongkong, we have already established firm and mutual-benefit business relationships with customers from,Europe,America and south Asia,supplying obsolete and hard-to-find components to meet their specific needs.

With the principle of "Quality Parts,Customers Priority,Honest Operation,and Considerate Service",our business mainly focus on the distribution of electronic components. Line cards we deal with include Microchip,ALPS,ROHM,Xilinx,Pulse,ON,Everlight and Freescale. Main products comprise IC,Modules,Potentiometer,IC Socket,Relay,Connector.Our parts cover such applications as commercial,industrial, and automotives areas.

We are looking forward to setting up business relationship with you and hope to provide you with the best service and solution. Let us make a better world for our industry!



Contact us

Tel: +86-755-8981 8866 Fax: +86-755-8427 6832


Email & Skype: info@chipsmall.com Web: www.chipsmall.com

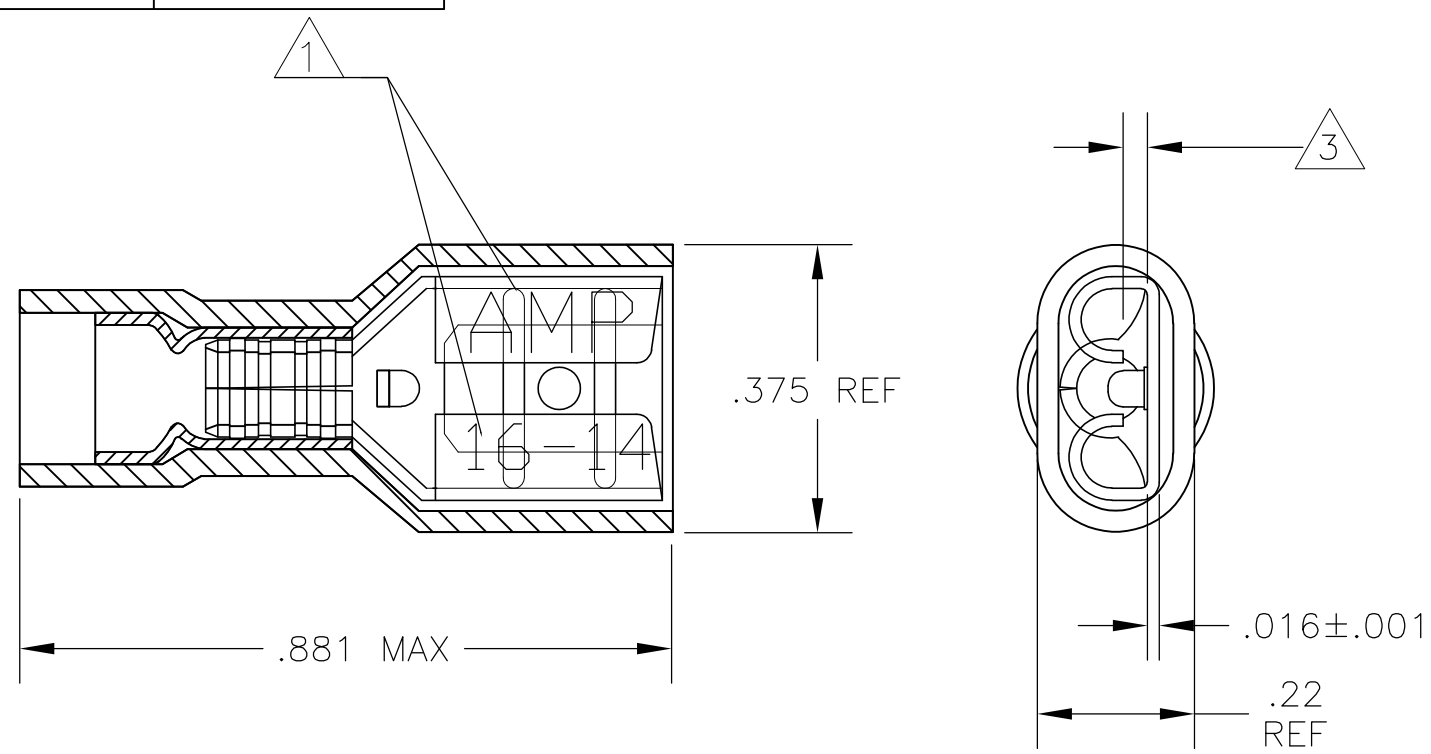
Address: A1208, Overseas Decoration Building, #122 Zhenhua RD., Futian, Shenzhen, China



THIS DRAWING IS UNPUBLISHED. RELEASED FOR PUBLICATION
 © COPYRIGHT - By - ALL RIGHTS RESERVED.

LOC G	DIST 86	REVISIONS			
P	LTR	DESCRIPTION	DATE	DWN	APVD
	E2	REVISED PER ECO-11-004820	11MAR11	RK	HMR

AMP WIRE RANGE	 FILE E66717	 LR7189 Certified
16-14 AWG STRANDED	16-14 AWG STRANDED	16-14 AWG STRANDED

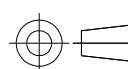


- ① MARKED AMP 16-14
- ② DESIGNED FOR WIRE INSULATION DIA OF .105-.160.
- ③ MATES WITH .250±.003 BY .032±.001 THK TAB.
- ④ BODY: BRASS, TIN PLATED SLEEVE: NYLON, BLUE
- ⑤ RATED FOR 15 MAX AMPERE


100	LOOSE PIECE	8-696366-1
1000	LOOSE PIECE	696366-1
QTY	PACKAGE TYPE	PART NO.

TE CONNECTIVITY CUSTOMER SERVICE SYSTEM	
FOR ADDITIONAL PRODUCT INFORMATION OR COPIES OF DRAWING AND TECHNICAL DOCUMENTS	PRODUCT INFORMATION CENTER 1-800-522-6752
FOR APPLICATION TOOLING INFORMATION	TOOLING ASSISTANCE CENTER 1-800-722-1111
FOR ORDER ENTRY	1-800-526-5142

MAX RECOMMENDED OPERATING TEMPERATURE: 105°C [221°F] -
VOLTAGE RATING: 300V MAX -
CIRCULAR MIL AREA: 2,050-5,180 STRANDED

THIS DRAWING IS A CONTROLLED DOCUMENT.	
DIMENSIONS: INCHES	TOLERANCES UNLESS OTHERWISE SPECIFIED:
	0 PLC ± - 1 PLC ± - 2 PLC ± - 3 PLC ± .008 4 PLC ± - ANGLES ± -
MATERIAL - ④	FINISH - ④

DWN JR RUTH 07NOV01
CHK T MICHELUTTI 07NOV01
APVD T MICHELUTTI 07NOV01
PRODUCT SPEC -
APPLICATION SPEC 114-13076
WEIGHT -
CUSTOMER DRAWING

 TE Connectivity			
NAME RECEPTACLE, 250 SERIES, FASTON, FULLY INSULATED, WIRE: 16-14 AWG			
SIZE A3	CAGE CODE 00779	DRAWING NO G-696366	RESTRICTED TO -
SCALE 1:1		SHEET 1 OF 1	REV E2