



Chipsmall Limited consists of a professional team with an average of over 10 year of expertise in the distribution of electronic components. Based in Hongkong, we have already established firm and mutual-benefit business relationships with customers from,Europe,America and south Asia,supplying obsolete and hard-to-find components to meet their specific needs.

With the principle of “Quality Parts,Customers Priority,Honest Operation,and Considerate Service”,our business mainly focus on the distribution of electronic components. Line cards we deal with include Microchip,ALPS,ROHM,Xilinx,Pulse,ON,Everlight and Freescale. Main products comprise IC,Modules,Potentiometer,IC Socket,Relay,Connector.Our parts cover such applications as commercial,industrial, and automotives areas.

We are looking forward to setting up business relationship with you and hope to provide you with the best service and solution. Let us make a better world for our industry!



## Contact us

Tel: +86-755-8981 8866 Fax: +86-755-8427 6832



Email & Skype: info@chipsmall.com Web: www.chipsmall.com

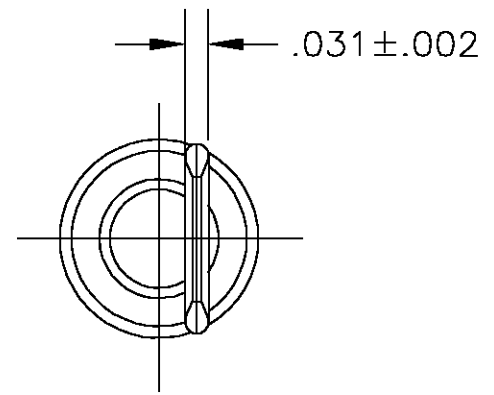
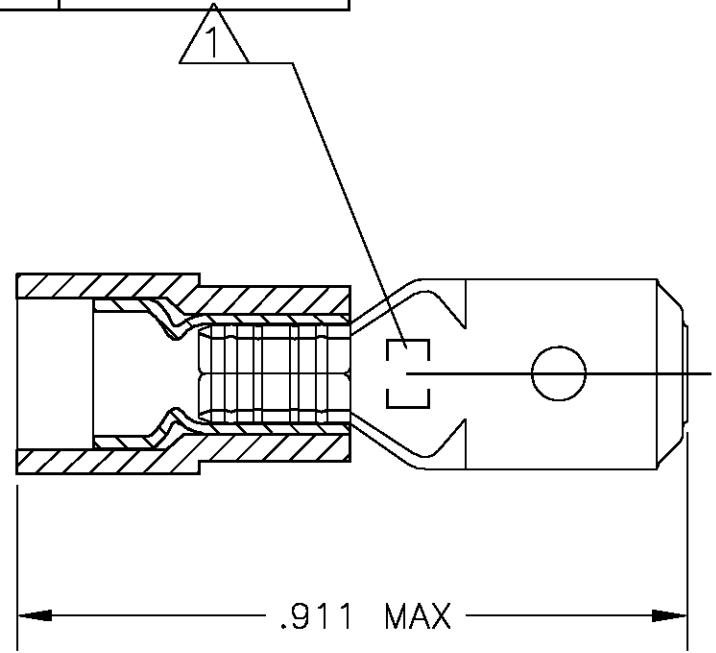
Address: A1208, Overseas Decoration Building, #122 Zhenhua RD., Futian, Shenzhen, China



THIS DRAWING IS UNPUBLISHED. RELEASED FOR PUBLICATION  
 © COPYRIGHT BY TYCO ELECTRONICS CORPORATION. ALL RIGHTS RESERVED.

LOC	DIST	REVISIONS			
P	LTR	DESCRIPTION	DATE	DWN	APVD
G	86	C1	REV PER ECR 05-001779	26APR05	JR TM

<b>AMP WIRE RANGE</b>	 FILE E66717	 LR7189 Certified
16-14 AWG STRANDED	16-14 AWG STRANDED	16-14 AWG STRANDED

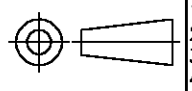


- ① MARKED AMP 16-14
- 2 DESIGNED FOR WIRE INSULATION DIA OF .115-.160.
- ③ BODY: .016±.001 THK BRASS, TIN PL. SLEEVE: NYLON, BLUE
- 4 RATED FOR 15 MAX AMPERE

100	LOOSE PIECE	8-696369-1
1000	LOOSE PIECE	696369-1
QTY	PACKAGE TYPE	PART NO.

TYCO ELECTRONICS CUSTOMER SERVICE SYSTEM	
FOR ADDITIONAL PRODUCT INFORMATION OR COPIES OF DRAWING AND TECHNICAL DOCUMENTS	PRODUCT INFORMATION CENTER 1-800-522-6752
FOR APPLICATION TOOLING INFORMATION	TOOLING ASSISTANCE CENTER 1-800-722-1111
FOR ORDER ENTRY	1-800-526-5142

MAX RECOMMENDED OPERATING TEMPERATURE: 105°C [221°F]
VOLTAGE RATING: 300V MAX
CIRCULAR MIL AREA: 2,050-5,180 STRANDED

THIS DRAWING IS A CONTROLLED DOCUMENT.	
DIMENSIONS: INCHES	TOLERANCES UNLESS OTHERWISE SPECIFIED:
	0 PLC ± - 1 PLC ± - 2 PLC ± - 3 PLC ± .008 4 PLC ± - ANGLES ± -
MATERIAL	FINISH
- ③	- ③

DWN JR RUTH 06DEC01	Tyco Electronics Corporation Harrisburg, Pa 17105-3608		
CHK T MICHIELUTTI 06DEC01	NAME TAB, 250 SERIES, FASTON, PIDG, WIRE: 16-14 AWG		
APVD T MICHIELUTTI 06DEC01	SIZE A3	CAGE CODE 00779	DRAWING NO C-696369
PRODUCT SPEC	RESTRICTED TO		-
APPLICATION SPEC	SCALE 1:1		SHEET 1 OF 1
114-13076	REV C1		
WEIGHT	CUSTOMER DRAWING		