



Chipsmall Limited consists of a professional team with an average of over 10 year of expertise in the distribution of electronic components. Based in Hongkong, we have already established firm and mutual-benefit business relationships with customers from,Europe,America and south Asia,supplying obsolete and hard-to-find components to meet their specific needs.

With the principle of “Quality Parts,Customers Priority,Honest Operation,and Considerate Service”,our business mainly focus on the distribution of electronic components. Line cards we deal with include Microchip,ALPS,ROHM,Xilinx,Pulse,ON,Everlight and Freescale. Main products comprise IC,Modules,Potentiometer,IC Socket,Relay,Connector.Our parts cover such applications as commercial,industrial, and automotives areas.

We are looking forward to setting up business relationship with you and hope to provide you with the best service and solution. Let us make a better world for our industry!



Contact us

Tel: +86-755-8981 8866 Fax: +86-755-8427 6832

Email & Skype: info@chipsmall.com Web: www.chipsmall.com

Address: A1208, Overseas Decoration Building, #122 Zhenhua RD., Futian, Shenzhen, China



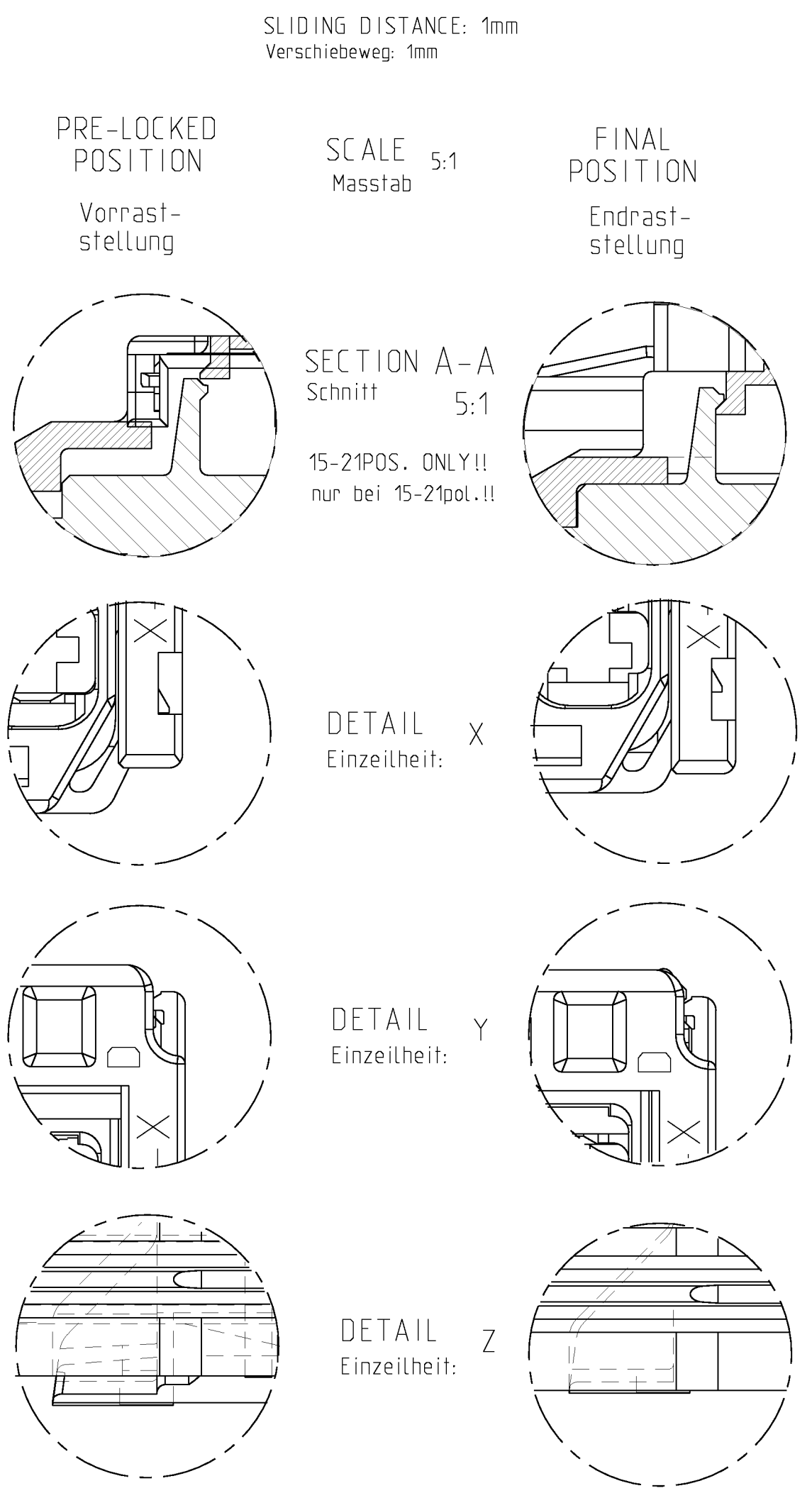
REVISIONS		DATE	OWN	APPV
D1	NEW 3D-MODEL AND DRAWING CREATED.	27NOV2007	Hassel	Kamp.
D2	connection of drawing only	09JUN2008	Hilg.	Hassel
D3	PNs and codings F and E added.	03MAY2011	Kirs.	Krauss
D4	Revision Updated	12JUL2011	MN	SKR

NOTES
Bemerkungen

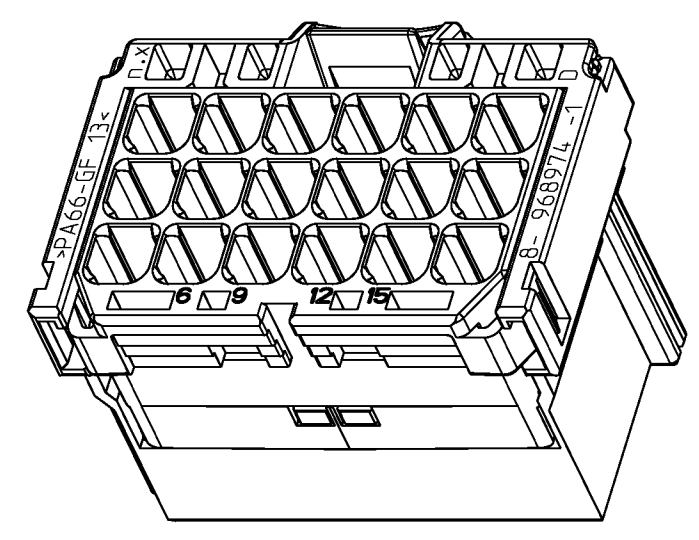
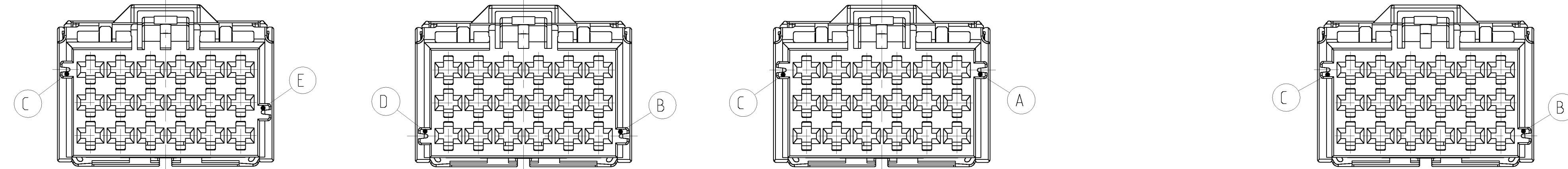
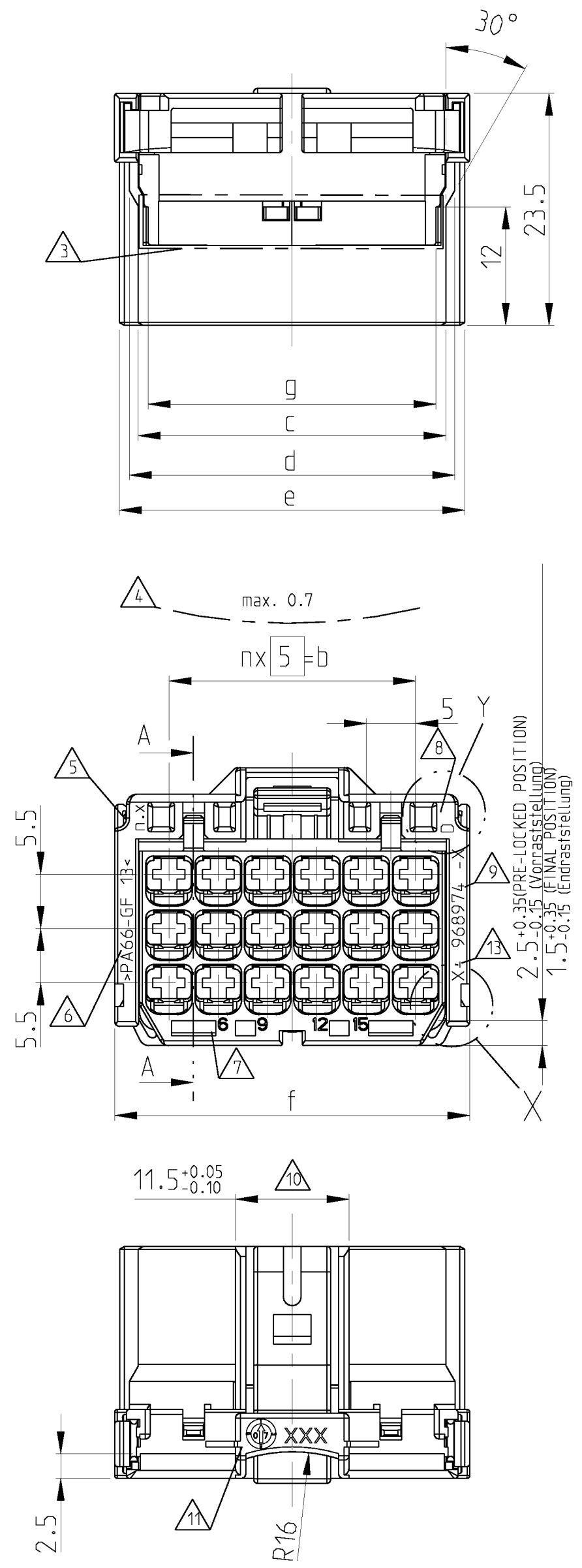
- MATING CONNECTOR FOR AMP MCP 2.8 HOUSING
SEE DRAWINGS 1355072 (TAB HOUSINGS),
966140 (TAB HEADER)
114-18085-025 (INTERFACE-DRAWING)
Gegenstecker fuer AMP MCP 2.8 Gehaeuse
siehe Zeichnungen 1355072 (Flachstecker-Gehaeuse),
966140 (Messerleisten),
114-18085-025 (Ausfuehrungsvorschrift)
- CAVITIES MATING WITH AMP MCP 2.8 CONTACTS
(WITHOUT SWS, MAX. WIRE SIZE: 2.5mm² FLR) -
SEE PRODUCT GROUP DRAWING: 1355036
Kontaktkammern passend fuer AMP MCP 2.8 Kontakte
(ohne EDS, max. Leitungsquerschnitt: 2.5mm² FLR)
- siehe Produktgruppenzeichnung : 1355036
- DESIGN DEPENDS ON NUMBER OF WAYS
Aussehen je nach Polzahl unterschiedlich
- WARPAGE TO ... PERMITTED
Verzug bis ... zulaessig
- MOULD CAVITY-MARKING = X
SERIAL MOULD-NUMBER = n. (if n>1 only)
Nestmarkierung = X
Serienwerkzeug-Nr. = n (nur wenn n>1)
- MATERIAL-MARKING ACC. TO VDA 260
Werkstoffkennzeichnung nach
- CAVITY-MARKING
Kammerbezeichnung
- THE REVISION STATUS OF THE MOULD
Aenderungszustand des Werkzeugs
- TE PARTNUMBER
TE Bestell-Nr. Teil
- WARPAGE TO 11.3 PERMITTED
Verzug bis 11.3 zulaessig
- PRODUCTION-DATE
Produktionsdatum
- PACKAGING: BULK PACKAGING IN CORRUGATED BOX -
INDICATED BY PRE-DASH-NO.s 8-, 7-, 6-, 5-;
THESE PRE-DASH-NO.s ARE ON PART NOW:
Verpackung: Schuetftgut in Versandkarton -
gekennzeichnet durch Vorstrichzahlen 8-, 7-, 6-, 5-;
diese Vorstrichzahlen sind jetzt auch am Teil!
- MALFUNCTION CAUSED BY LACQUER IS NOT
COVERED BY TE WARRENTY
Funktionbeeintraechtigung durch Lackieren liegt
nicht im Einfluss und Gewährleistungsumfang von TE

	6	30	36.2	38	39.9	41	34.2	10.0g	21
	5	25	31.2	33	34.9	36	29.2	8.8g	18
	4	20	26.2	28	29.9	31	15.5	7.7g	15
	3	15	21.2	23	24.9	26	10.5	6.6g	12
	2	10	16.2	18	19.9	21	5.5	5.4g	9
	1	5	11.2	13	14.9	16	4.5	4.2g	6
M1:1	n	b	c ^{+0.1} _{-0.3}	d ^{+0.4} _{-0.3}	e ^{+0.2} _{-0.5}	f	g±0.25	WEIGHT Gewicht	NUMBER OF WAYS Polzahl

PRE-LOCKED AND FINAL POSITION
Vorrast- und Endraststellung



8-968974-1 AS SHOWN IN PRE-LOCKED POSITION
wie gezeichnet in Vorraststellung



CODING / Kodierung D RIB / Rippe: C-E				CODING / Kodierung C RIB / Rippe: B-D				CODING / Kodierung B RIB / Rippe: A-C				CODING / Kodierung A RIB / Rippe: B-C				MECHAN. CODING mechan. Kodierung			
①	5-968975-1	D	CLARET VIOLET Bordeauviolett	6-968975-1	D	LIGHT BLUE Lichtblau	7-968975-1	D	Nature natur	8-968975-2	D	GREY grau	8-968975-1	D	BROWN braun	1	AMP MCP 2.8 HOUSING AMP MCP 2.8 Gehaeuse	21	POS. polig
	5-968974-1	D		6-968974-1	D		7-968974-1	D		-	-	8-968974-1	D	GREY grau	1	18			
	5-968973-1	D		6-968973-1	D		7-968973-1	D		8-968973-2	D	GREY grau	1	VIOLET violett	1	15			
	5-968972-1	D		6-968972-1	D		7-968972-1	D		8-968972-2	D	GREY grau	1	GREEN gruen	1	12			
	5-968971-1	D		6-968971-1	D		7-968971-1	D		8-968971-2	D	GREY grau	1	Yellow gelb	1	9			
	5-968970-1	D	6-968970-1	D	7-968970-1	D	8-968970-2	D	GREY grau	1	SEMI-TRANSPARENT BLUE Erzfarblau	1	6						
CUSTOMER PART NO. Kunden-Teile-Nr.	TE ORDER-NO TE Bestell-Nr.	REV	COLOUR Farbe	CUSTOMER PART NO. Kunden-Teile-Nr.	TE ORDER-NO TE Bestell-Nr.	REV	COLOUR Farbe	CUSTOMER PART NO. Kunden-Teile-Nr.	TE ORDER-NO TE Bestell-Nr.	REV	COLOUR Farbe	CUSTOMER PART NO. Kunden-Teile-Nr.	TE ORDER-NO TE Bestell-Nr.	REV	COLOUR Farbe	POS.	DESCRIPTION Benennung Einzelteil	MATERIAL Werkstoff	

THIS DRAWING IS A CONTROLLED DOCUMENT.

DATE: 19 JAN 1998
BY: R. Huebner
CHK: 19 JAN 1998
BY: J. Hass
CHK: 18 JAN 2008
BY: M. Bleicher

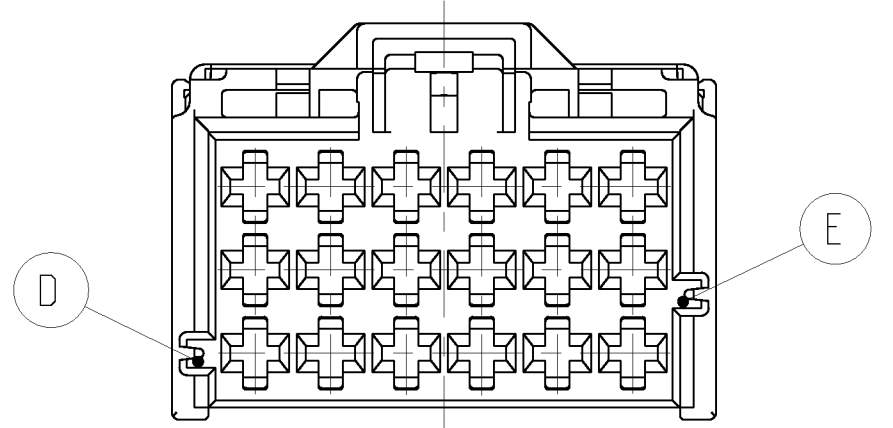
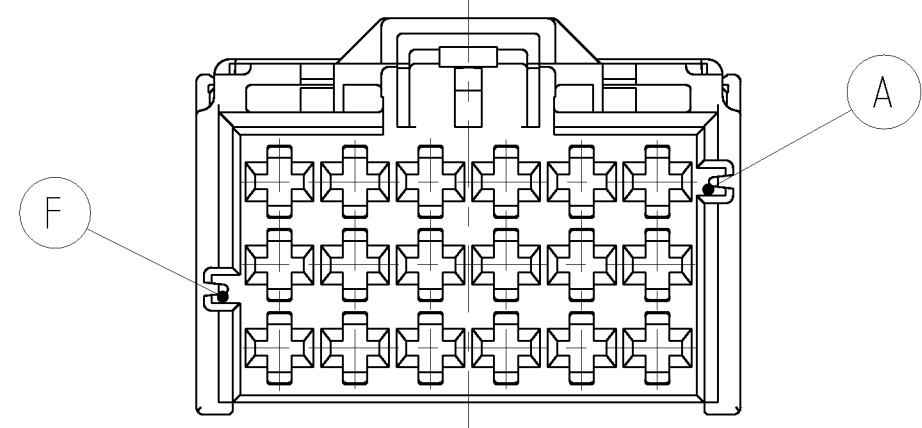
TE Connectivity

PRODUCT GROUP DRAWING FOR: AMP MCP 2.8 HSG.
6-21POS. WITH SECONDARY LOCKING DEVICE
Produkt-Gruppen-Zeichnung fuer: AMP MCP 2.8 Gehaeuse.
6-21polig mit zweiter Kontaktsicherung

SIZE: A1 CAGE CODE: 00779 DRAWING NO: 1355073

SCALE: 2:1 SHEET: 1 OF 2 REV: D4

ADDITIONAL CODINGS / Zusätzliche Kodierungen



CODING / Kodierung F			MECHANICAL CODING: mechanische Kodierung:	MATERIAL W. PART. SHEET
RIBS / Nuten: A-F				
9-968975-2	03 D	04 D	21 POS. pol.	PA66-GF13
9-968974-2	03 D	04 D	18 POS. pol.	
			15 POS. pol.	
9-968972-2	03 D	04 D	12 POS. pol.	
			9 POS. pol.	
9-968970-2	03 D	04 D	6 POS. pol.	
CUSTOMER PART NUMBER Kunden-Einzelteil-Nummer	TE ORDER-NO. TE Bestell-Nr.	REV.	DESCRIPTION Benennung Einzelteil	

CODING / Kodierung E			MECHANICAL CODING: mechanische Kodierung:	MATERIAL W. PART. SHEET
RIBS / Nuten: E-D				
4-968975-1	03 D	04 D	21 POS. pol.	PA66-GF13
4-968974-1	03 D	04 D	18 POS. pol.	
			15 POS. pol.	
4-968972-1	03 D	04 D	12 POS. pol.	
			9 POS. pol.	
4-968970-1	03 D	04 D	6 POS. pol.	
CUSTOMER PART NUMBER Kunden-Einzelteil-Nummer	TE ORDER-NO. TE Bestell-Nr.	REV.	DESCRIPTION Benennung Einzelteil	

THIS DRAWING IS A CONTROLLED DOCUMENT.

DIMENSIONS: mm

TOLERANCES UNLESS OTHERWISE SPECIFIED:
 H. 0.05 mm / 0.002" / 0.05
 F. 0.05 mm / 0.002" / 0.05
 ANGLES: 49°

MATERIAL: SEE PARTS LIST

FINISH: SEE PARTS LIST

WEIGHT: SEE TABLE

CUSTOMER DRAWING

DWN: R. Huebner 19 JAN 1998
 CDR: J. Hass 19 JAN 1998
 APVD: M. Bleicher 18 JAN 2008

NAME: PRODUCT GROUP DRAWING FOR: AMP MCP 2.8 HSG. 6-21POS. WITH SECONDARY LOCKING DEVICE
 Produkt-Gruppen-Zeichnung fuer: AMP MCP 2.8 Gehaeuse. 6-21polig mit zweiter Kontaktsicherung

SIZE: A1 CAGE CODE: 00779 DRAWING NO: 1355073 RESTRICTED TO: -

SCALE: 2:1 SHEET: 2 OF 2 REV: 04

STE TE Connectivity