



Chipsmall Limited consists of a professional team with an average of over 10 year of expertise in the distribution of electronic components. Based in Hongkong, we have already established firm and mutual-benefit business relationships with customers from,Europe,America and south Asia,supplying obsolete and hard-to-find components to meet their specific needs.

With the principle of "Quality Parts,Customers Priority,Honest Operation,and Considerate Service",our business mainly focus on the distribution of electronic components. Line cards we deal with include Microchip,ALPS,ROHM,Xilinx,Pulse,ON,Everlight and Freescale. Main products comprise IC,Modules,Potentiometer,IC Socket,Relay,Connector.Our parts cover such applications as commercial,industrial, and automotives areas.

We are looking forward to setting up business relationship with you and hope to provide you with the best service and solution. Let us make a better world for our industry!



Contact us

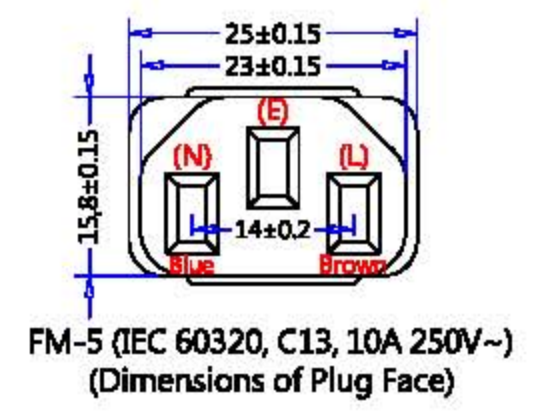
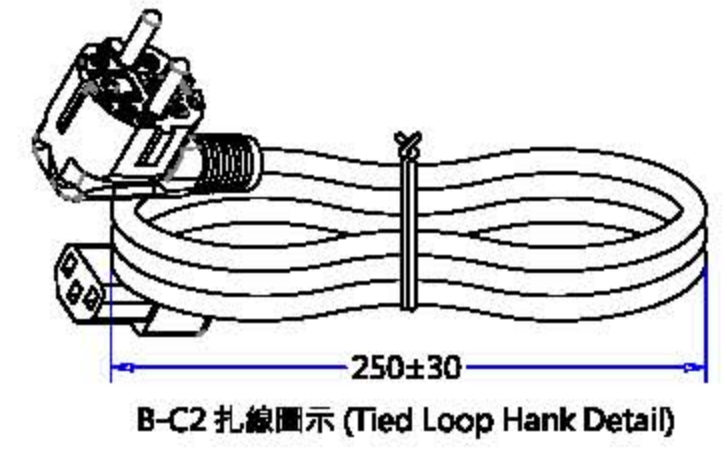
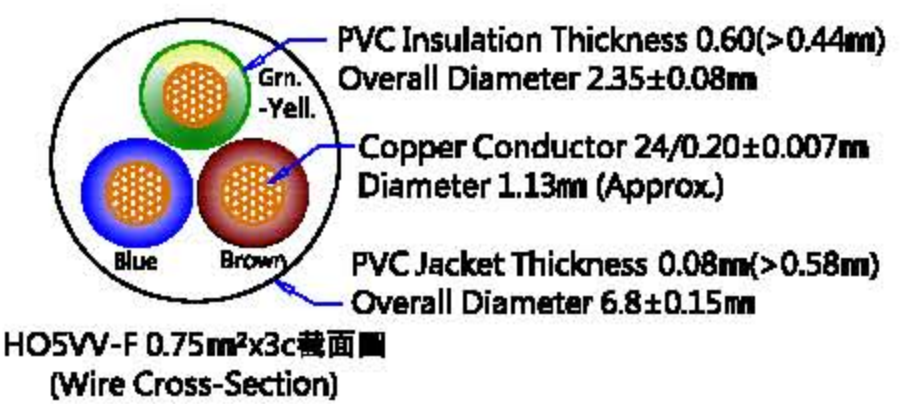
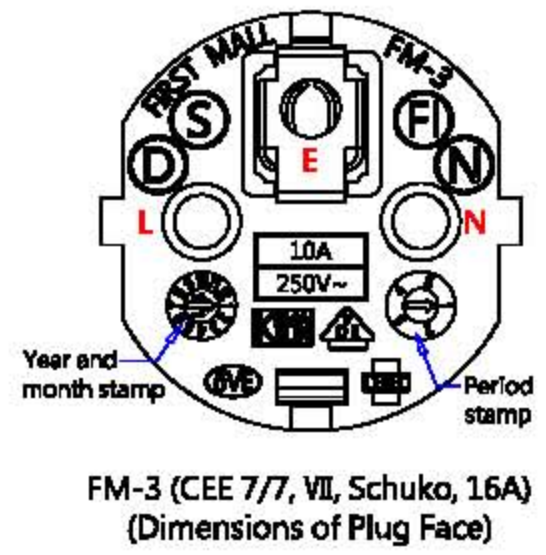
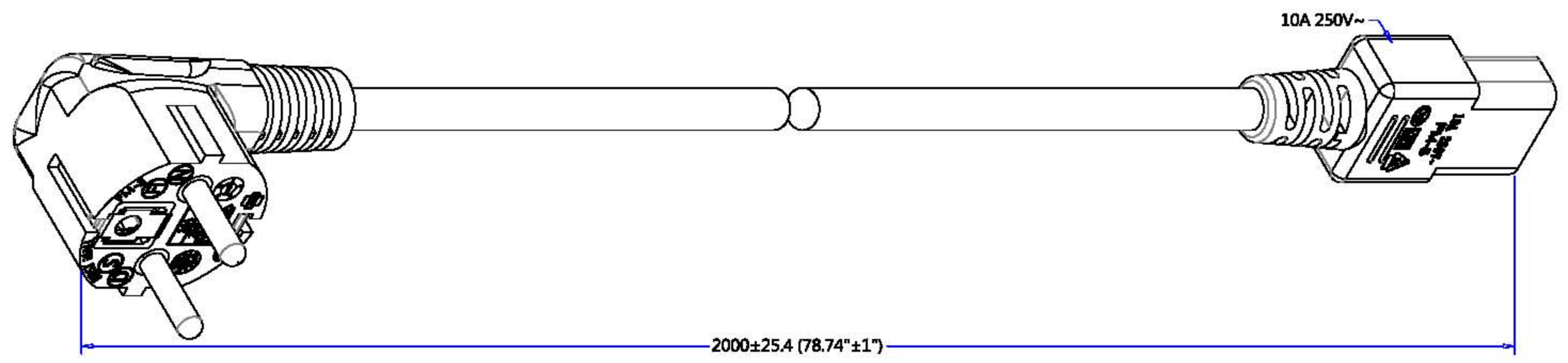
Tel: +86-755-8981 8866 Fax: +86-755-8427 6832

Email & Skype: info@chipsmall.com Web: www.chipsmall.com

Address: A1208, Overseas Decoration Building, #122 Zhenhua RD., Futian, Shenzhen, China



插頭部件 (Plug Component)			頭部剝皮尺寸 (Dimensions)			線材規格 (Wire Styls)	尾部剝皮尺寸 (Dimensions)			尾插部件 (Connector Component)		
顏色(Color)	零件描述(Component)	Qty.	內剝(Strip)	外剝(ROJ)	顏色(Color)		外剝(ROJ)	內剝(Strip)	顏色(Color)	規格描述(Instruction)	Qty.	顏色(Color)
45P 黑色 (Black)	FM-3 (CEE7 st. sh VII, RA, Schuko, 16A 250V~)	1	8±1	35±2	棕/Brown(L)	HO5VV-F 0.75mm ² x3C 70°C 黑色 (BLACK) Length : 2050.8±25.4 (80.74"±1")	16 ±1	5 ⁺¹ / ₀	棕/Brown(L)	FM-5 (IEC 60320, C13, 10A 250V~)	1	45P 黑色 (Black)
黑色 (Black)	φ4.76 法國頭支架, GEM 98651 (VDE Plug Insert)	1	8±1	35±2	藍/Blue(N)		16 ±1	5 ⁺¹ / ₀	藍/Blue(N)	2.0*4.0 方管端子 (2.0*4.0 Receptacle Terminal)	3	銅本色 (Brass-Natural)
			8±1	35±2	綠注黃 (E) Green-Yellow		16 ±1	5 ⁺¹ / ₀	綠注黃 (E) Green-Yellow	GA005-5 兩件式內模 (2.0*4.0 Serial Housing)	1	米白色 (Off-White)



REV	DATE	REVISE CONTENT
A	03/07-2013	The first edition is issued and drawing.

NOTE:
 1. Hi-Pot Test : 2000V/1Sec ; <0.5mA.
 2. Insulation Resistance Test : DC 500/min>100 meg-ohm.
 3. Continuity & Polarization Test : No short circuit, break circuit, displacement.
 4. Each end terminal shall be capable of withstanding a pull of 25lbs for 1 minutes without loosening.
 5. Strain relief shall be capable of withstanding a pull of 35lbs for 1 minutes without loosening.
 6. All material according to Non-toxic standard.(Material must be RoHS compliant.)

線材印字 (Wire Printed)	充實, 油墨印字 (Un-Fillers, Printing Ink)		
包裝方式 (Packing)	DRAWN Chu8.		
Tied Hank	See Hank Detail		
Carton Size	480 x 320 x 230		
Pack Number	100 pcs		
Carton Print	DATE 03/07-2013		
TYPE	CEE7 st. sh VII, RA Schuko to IEC 60320, C13 RA, 10A 250V~		
DRAWING NO.	067MM101	REV	A

CnC Tech, LLC			
Industrial Cable and Connector Technology			
CUSTOMER	CnC		
P/N No.	800-0.75-2VX-BL-00200		
MATERIAL	PVC	UNIT	m
Customer Approval			

業務投圖 :
品質投圖 :