



Chipsmall Limited consists of a professional team with an average of over 10 year of expertise in the distribution of electronic components. Based in Hongkong, we have already established firm and mutual-benefit business relationships with customers from,Europe,America and south Asia,supplying obsolete and hard-to-find components to meet their specific needs.

With the principle of “Quality Parts,Customers Priority,Honest Operation,and Considerate Service”,our business mainly focus on the distribution of electronic components. Line cards we deal with include Microchip,ALPS,ROHM,Xilinx,Pulse,ON,Everlight and Freescale. Main products comprise IC,Modules,Potentiometer,IC Socket,Relay,Connector.Our parts cover such applications as commercial,industrial, and automotives areas.

We are looking forward to setting up business relationship with you and hope to provide you with the best service and solution. Let us make a better world for our industry!



Contact us

Tel: +86-755-8981 8866 Fax: +86-755-8427 6832

Email & Skype: info@chipsmall.com Web: www.chipsmall.com

Address: A1208, Overseas Decoration Building, #122 Zhenhua RD., Futian, Shenzhen, China



INTERCONNECTS

SERIES 800 & 801 • .100" GRID (.030" DIA. PINS), SOLDERLESS PRESS-FIT • SINGLE ROW STRIPS

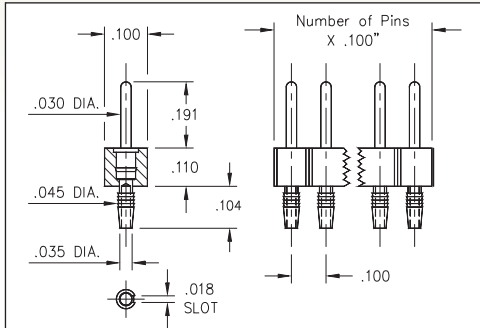


FIG. 1

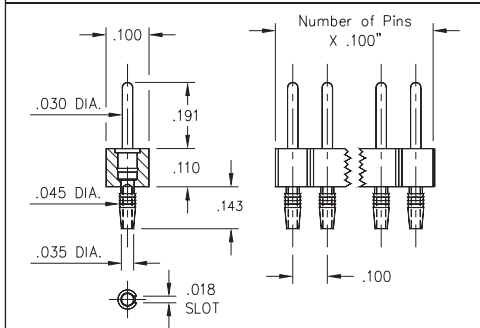


FIG. 2

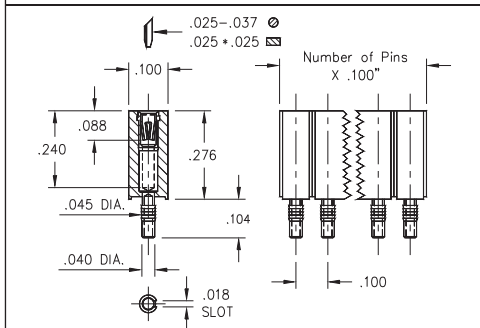


FIG. 3

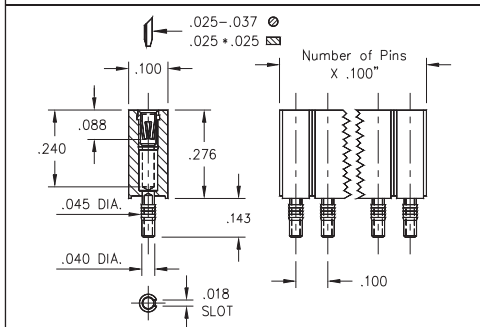
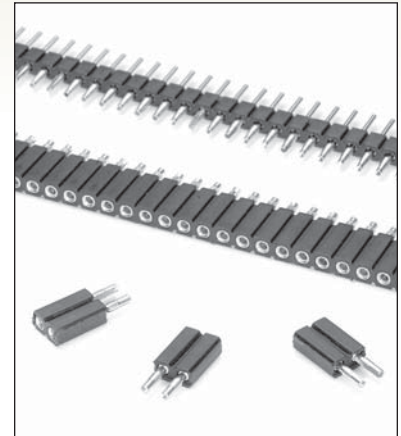


FIG. 4

- The unique compliant tail pins conform to .040"±.003" finished hole without stressing inner layers. Patent No. 4,799,904
- Headers and sockets are available for board thicknesses of .060" - .100" and .090" - .130". See ordering information for details
- Series 800 pin headers use MM #5601 and #5602 compliant tail pins featuring a .030" dia. mating lead. See page 220 for details
- Series 801 sockets MM #4614 or #4615 use Hi-Rel, 6-finger BeCu #47 contact rated at 4.5 amps. Receptacles accept .030" diameter pins & .025" square pins. See pg. 256 for details
- Insulators are high temperature thermoplastic



ORDERING INFORMATION

FIG. 1	Compliant Tail Pin Header for .060" - .100" Thick Boards			
	800-XX-0__-61-001000 Specify number of pins 01-64			
FIG. 2	Compliant Tail Pin Header for .090" - .130" Thick Boards			
	800-XX-0__-62-001000 Specify number of pins 01-64			
XX=Plating Code See Below For Electrical, Mechanical & Environmental Data, See page 264				
SPECIFY PLATING CODE XX=				
Pin Plating		10 μ Au	200 μ Sn/Pb	200 μ Sn

FIG. 3	Compliant Tail Socket for .060" - .100" Thick Boards					
	801-XX-0__-61-001000 Specify number of pins 01-50					
FIG. 4	Compliant Tail Socket for .090" - .130" Thick Boards					
	801-XX-0__-62-001000 Specify number of pins 01-50					
XX=Plating Code See Below For Electrical, Mechanical & Environmental Data, See page 264						
SPECIFY PLATING CODE XX=						
Sleeve (Pin)		200 μ Sn/Pb	200 μ Sn/Pb	200 μ Sn/Pb	200 μ Sn	200 μ Sn
Contact (Clip)		10 μ Au	30 μ Au	100 μ Sn/Pb	10 μ Au	30 μ Au

