



Chipsmall Limited consists of a professional team with an average of over 10 year of expertise in the distribution of electronic components. Based in Hongkong, we have already established firm and mutual-benefit business relationships with customers from,Europe,America and south Asia,supplying obsolete and hard-to-find components to meet their specific needs.

With the principle of "Quality Parts,Customers Priority,Honest Operation,and Considerate Service",our business mainly focus on the distribution of electronic components. Line cards we deal with include Microchip,ALPS,ROHM,Xilinx,Pulse,ON,Everlight and Freescale. Main products comprise IC,Modules,Potentiometer,IC Socket,Relay,Connector.Our parts cover such applications as commercial,industrial, and automotives areas.

We are looking forward to setting up business relationship with you and hope to provide you with the best service and solution. Let us make a better world for our industry!



## Contact us

Tel: +86-755-8981 8866 Fax: +86-755-8427 6832

Email & Skype: info@chipsmall.com Web: www.chipsmall.com

Address: A1208, Overseas Decoration Building, #122 Zhenhua RD., Futian, Shenzhen, China

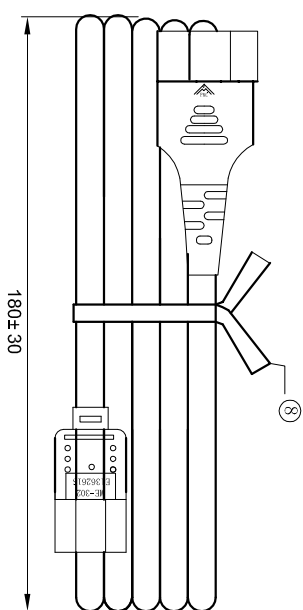
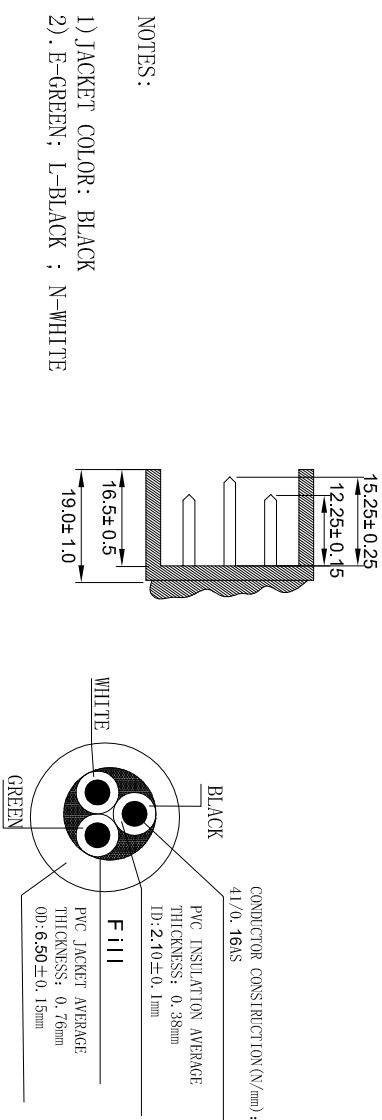
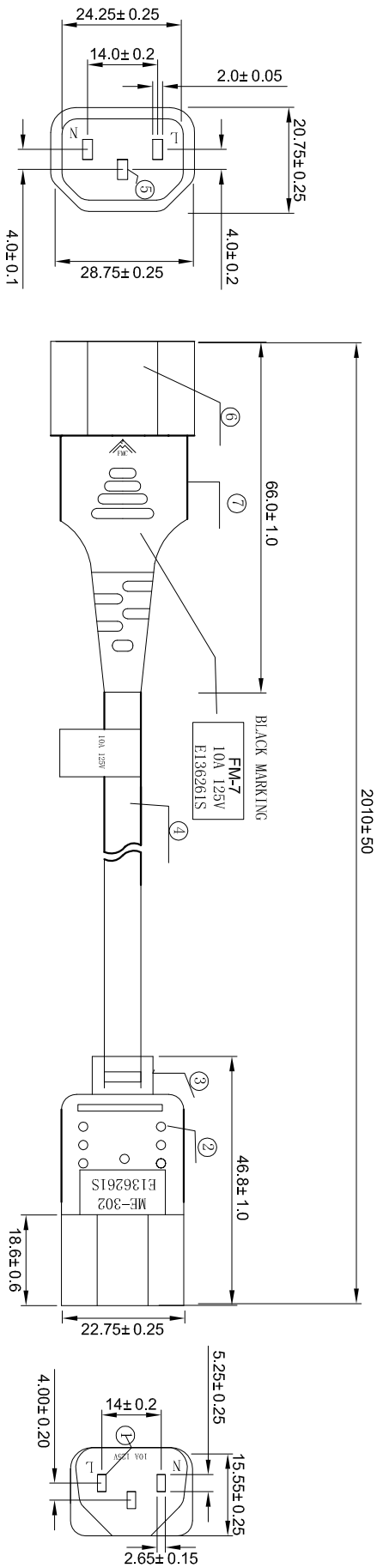


# CnC Tech, LLC

Industrial Cable and Connector Technology

## Engineer drawing

PART NO.	FM-7 ME-302	WIRE	SCALE	1 : 1
DESCRIPTION	SVT#18*3C 60C	UNIT:	mm	
DWG No.	800-18-4-0-SVT0-BL-00200			



### NOTES:

- 1) JACKET COLOR: BLACK
  - 2). E-GREEN; L-BLACK; N-WHITE
- TESTING:
- 1) 100% OPEN & SHORT TESTING
  - 2) INSULATION RESISTANCE: 100M ohm (min)
  - 3) VOLTAGE: DC500V/1min
  - 4) ROHS COMPLIANT

Printing the contents of wire The use of printing ink replenish Wire

E243711 (UL) SVT 3X18AWG(0.824mm<sup>2</sup>) W#-1 60°C 300V CSA 228191 SVT 3X18 AWG(0.824mm<sup>2</sup>) FT2 60°C 300V -J#-

NO.	SPECIFICATION	COLOUR	MATERIAL	AMOUNT
①	play home terminals	Silver	Cu	3P
②	Model aircraft	WHITE	PBT	1PCS
③	Mother play MF-302	BLACK	PVC Cu	1PCS
④	Wire SVT 18AWG/3C 60°C	BLACK	PVC Cu	1PCS
⑤	Interpolation public terminal	Silver	Cu	3P
⑥	Moldbase inserted within the public	WHITE	PBT	1PCS
⑦	Public play FM-7	BLACK	PVC Cu	1PCS
⑧	Ties	BLACK		1PCS

REV	DATE	DESCRIPTION	SYMBOL

DRAWN/DATE	CHECKED/DATE
CAI/10.05.10	GONG/11.05.13