



Chipsmall Limited consists of a professional team with an average of over 10 year of expertise in the distribution of electronic components. Based in Hongkong, we have already established firm and mutual-benefit business relationships with customers from,Europe,America and south Asia,supplying obsolete and hard-to-find components to meet their specific needs.

With the principle of “Quality Parts,Customers Priority,Honest Operation,and Considerate Service”,our business mainly focus on the distribution of electronic components. Line cards we deal with include Microchip,ALPS,ROHM,Xilinx,Pulse,ON,Everlight and Freescale. Main products comprise IC,Modules,Potentiometer,IC Socket,Relay,Connector.Our parts cover such applications as commercial,industrial, and automotives areas.

We are looking forward to setting up business relationship with you and hope to provide you with the best service and solution. Let us make a better world for our industry!



## Contact us

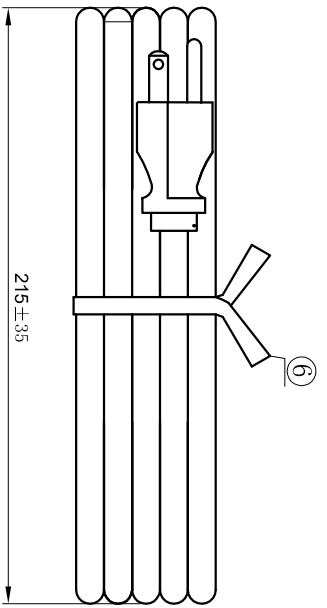
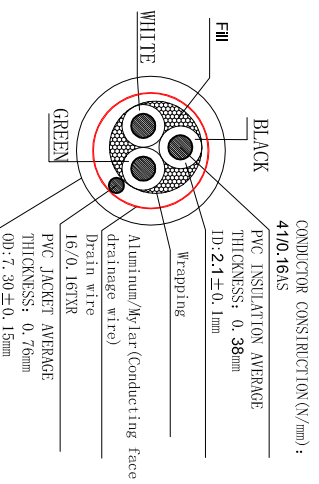
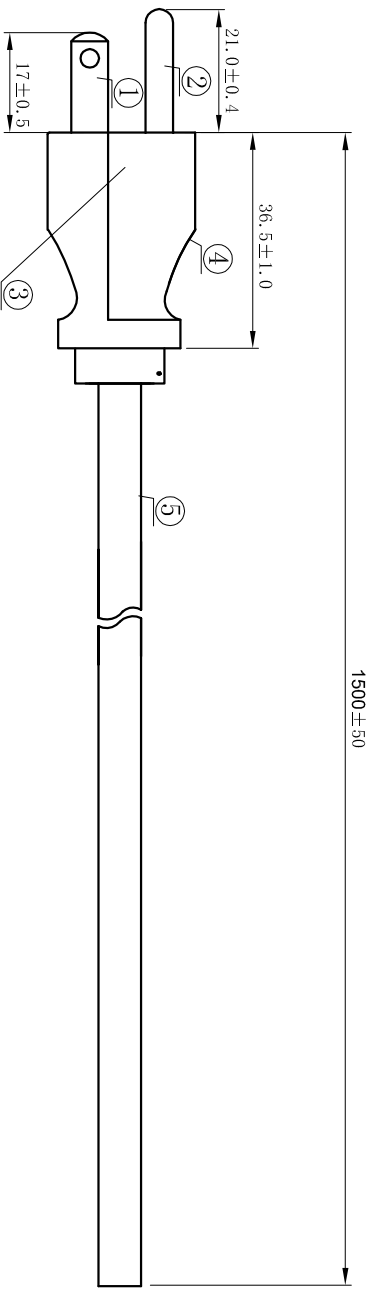
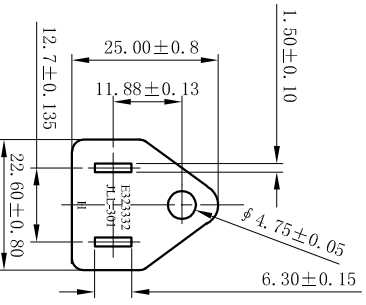
Tel: +86-755-8981 8866 Fax: +86-755-8427 6832

Email & Skype: info@chipsmall.com Web: www.chipsmall.com

Address: A1208, Overseas Decoration Building, #122 Zhenhua RD., Futian, Shenzhen, China



PART NO.	JLL-301	WIRE	SCALE	1 : 1
DESCRIPTION	SVT#18*3C 105C SHIELDED		UNIT:	mm
DWG No.	800-1801-2-SVT0-BL-00150			



CONDUCTOR CONSTRUCTION (N/mm):  
41/0.16AS

- NOTES:
- 1) JACKET COLOR: BLACK
  - 2). E-GREEN ; L-BLACK ; N-WHITE
- TESTING:
- 1) 100% OPEN & SHORT TESTING
  - 2) INSULATION RESISTANCE: 100M ohm (min)
  - 3) VOLTAGE: DC500V/1min
  - 4) ROHS COMPLIANT

Printing the contents of wire The use of printing ink replenish Wire

E213929 (UL) SVT 3X18AWG(0.824mm<sup>2</sup>) W=1 SHIELDED 105 C 300V CSA 228191  
SVT 3X18AWG(0.824mm<sup>2</sup>) F12 SHIELDED 105 C 300V -10-

NO.	SPECIFICATION	COLOUR	MATERIAL	AMOUNT
①	Load terminals 98661	Silver	Cu	2P
②	Grounding terminal 97475	Silver	Cu	1P
③	Model aircraft 8661AW-3P	WHITE	PBT	1PCS
④	Plug JLL-301	BLACK	PVC Cu	1PCS
⑤	Wire SVT 18AWG/3C 105°	BLACK	PVC Cu	1PCS
⑥	Ties	BLACK		1PCS

REV	DATE	DESCRIPTION	SYMBOL

DRAWN/DATE	CHECKED/DATE
GONG/10.11.04	ZHUYING/10.11.4