



Chipsmall Limited consists of a professional team with an average of over 10 year of expertise in the distribution of electronic components. Based in Hongkong, we have already established firm and mutual-benefit business relationships with customers from,Europe,America and south Asia,supplying obsolete and hard-to-find components to meet their specific needs.

With the principle of “Quality Parts,Customers Priority,Honest Operation,and Considerate Service”,our business mainly focus on the distribution of electronic components. Line cards we deal with include Microchip,ALPS,ROHM,Xilinx,Pulse,ON,Everlight and Freescale. Main products comprise IC,Modules,Potentiometer,IC Socket,Relay,Connector.Our parts cover such applications as commercial,industrial, and automotives areas.

We are looking forward to setting up business relationship with you and hope to provide you with the best service and solution. Let us make a better world for our industry!



## Contact us

Tel: +86-755-8981 8866 Fax: +86-755-8427 6832

Email & Skype: info@chipsmall.com Web: www.chipsmall.com

Address: A1208, Overseas Decoration Building, #122 Zhenhua RD., Futian, Shenzhen, China

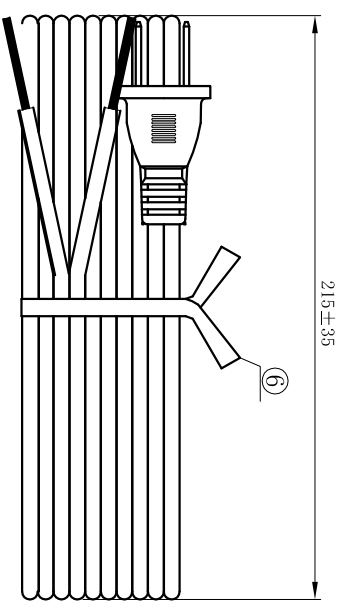
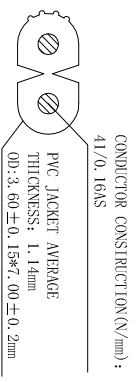
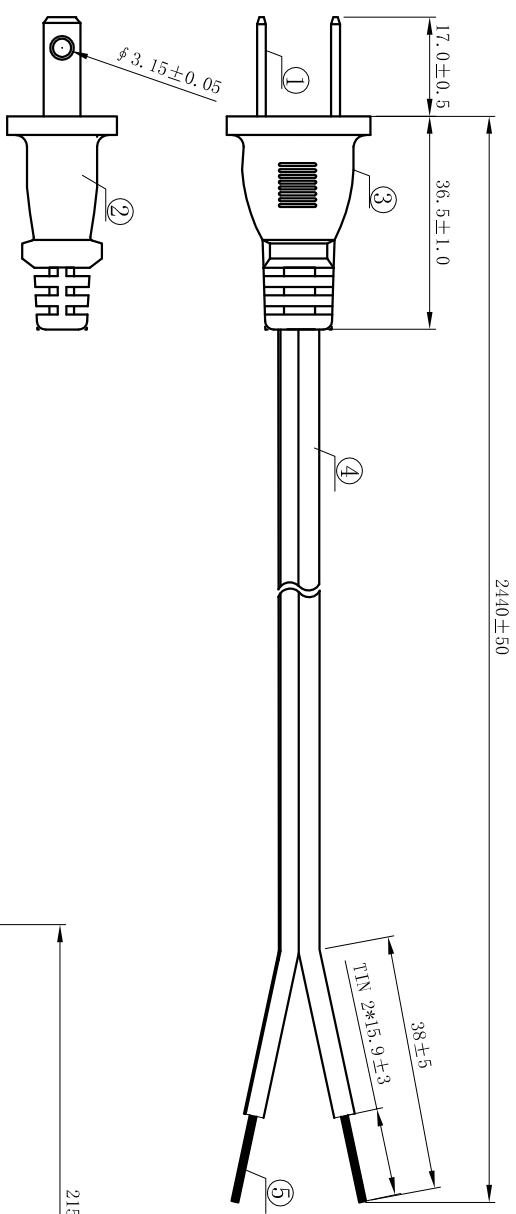
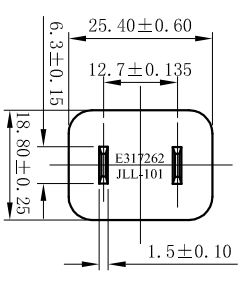


# CnC Tech, LLC

Industrial Cable and Connector Technology

Engineer  
drawing

PART NO.	JLL-101 WIRE	SCALE	1 : 1
DESCRIPTION	SPT-2#18*2C 60C	UNIT:	mm
DWG No.	800-1809-0-SPT2-BL-0008R		



- NOTES:
- 1) JACKET COLOR: BLACK
- TESTING:
- 1) 100% OPEN & SHORT TESTING
  - 2) INSULATION RESISTANCE: 100M ohm (min)
  - 3) VOLTAGE: DC500V/1min
  - 4) ROHS COMPLIANT

NO.	SPECIFICATION	COLOUR	MATERIAL	AMOUNT
①	Non-polar terminal 98661	Silver	Cu	2P
②	Model aircraft 8661AV-2P	WHITE	PBT	1PCS
③	Plug JLL-101	BLACK	PVC Cu	1PCS
④	Wire SPT-2 18AWG/2C 60°C	BLACK	PVC Cu	1PCS
⑤	Tin	Silver	Article tin	2PCS
⑥	Ties	BLACK		1PCS

REV	DATE	DESCRIPTION	SYMBOL
DRAWN/DATE	CHECKED/DATE	GONG/11.05.13	
CAI/10.05.10			

Printing the contents of wire	The use of printing ink replenish Wire
-------------------------------	--

E243711 (UL) SPT-2 2 X 18AWG(0.824mm<sup>2</sup>) VW-1 60°C 300V CSA 228191 SPT-2 2 X 18AWG(0.824mm<sup>2</sup>) FT2 60°C 300V JINLIANJI -LF-