



Chipsmall Limited consists of a professional team with an average of over 10 year of expertise in the distribution of electronic components. Based in Hongkong, we have already established firm and mutual-benefit business relationships with customers from,Europe,America and south Asia,supplying obsolete and hard-to-find components to meet their specific needs.

With the principle of “Quality Parts,Customers Priority,Honest Operation,and Considerate Service”,our business mainly focus on the distribution of electronic components. Line cards we deal with include Microchip,ALPS,ROHM,Xilinx,Pulse,ON,Everlight and Freescale. Main products comprise IC,Modules,Potentiometer,IC Socket,Relay,Connector.Our parts cover such applications as commercial,industrial, and automotives areas.

We are looking forward to setting up business relationship with you and hope to provide you with the best service and solution. Let us make a better world for our industry!



Contact us

Tel: +86-755-8981 8866 Fax: +86-755-8427 6832

Email & Skype: info@chipsmall.com Web: www.chipsmall.com

Address: A1208, Overseas Decoration Building, #122 Zhenhua RD., Futian, Shenzhen, China



PRODUCT DATA DRAWING

REVISION HISTORY			
REV	DESCRIPTION	DATE	APPROVED
A	REV. DCN 32852	03/05	VMJ

MATERIALS:

INSULATORS: PTFE PER ASTM D1710, TYPE 1
GRADE 1, CLASS B.

BODIES: BRASS PER ASTM B16,
ALLOY UNS C36000, H02

CONTACT: BERYLLIUM COPPER PER ASTM B196,
ALLOY C17300, COND. TD04

SHRINK TUBING: POLYOLEFIN PER SAE-DTL-23053/5-105-0

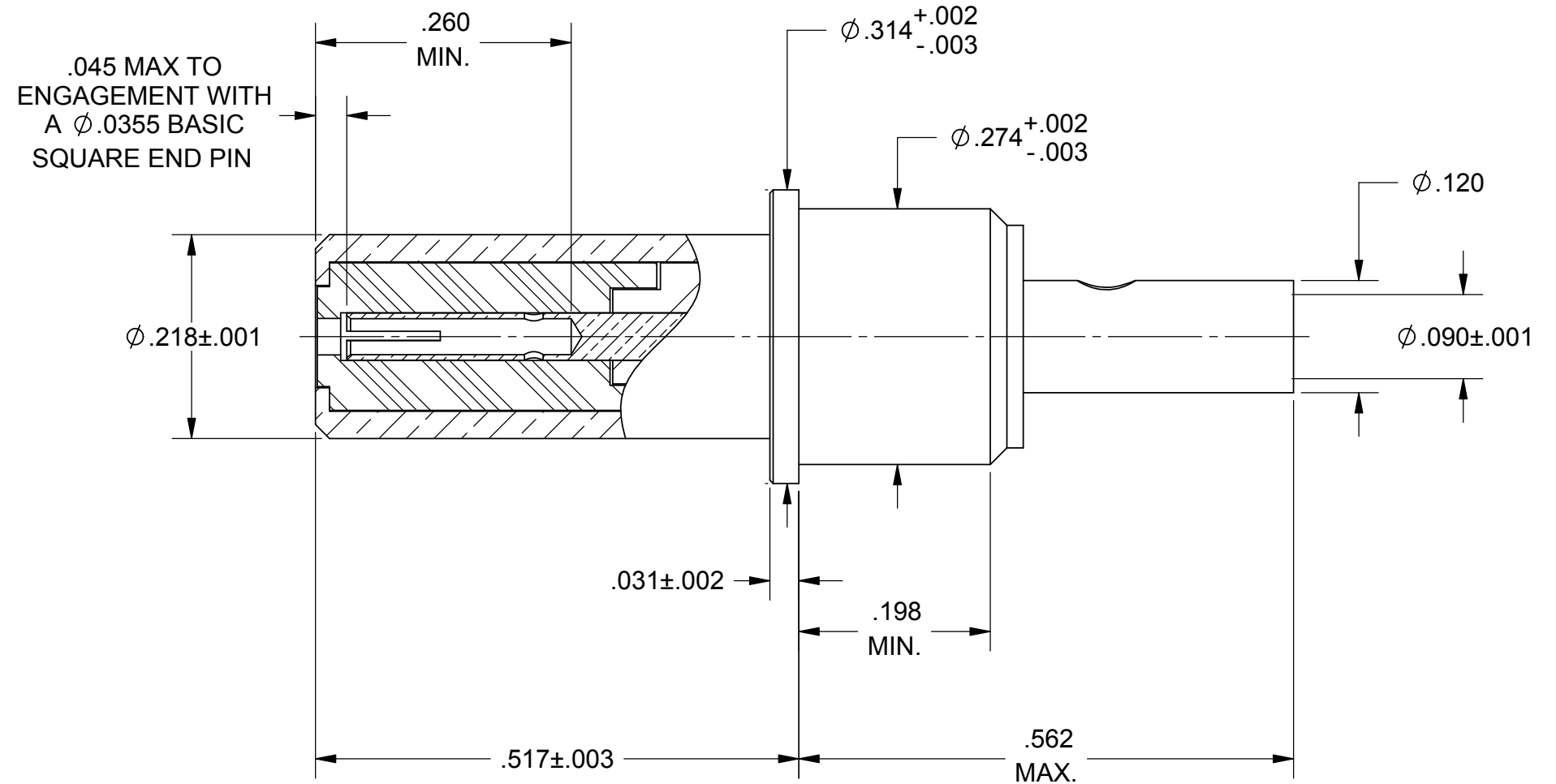
FINISHES:

BODIES &
CONTACT: GOLD PER ASTM B488, TYPE II,
GRADE C, CLASS 1.27 OVER NICKEL
PER AMS-QQ-N-290 CLASS 1, .00005" MIN.

ELECTRICAL:

IMPEDANCE: 50 OHMS
FREQ. RANGE: DC TO 3 GHz
INSUL. RES.: 5,000 MEGOHMS MIN.
D.W.V: 1,000 VRMS MIN.
VSWR: 1.20 + .04 X F IN GHz
INSERTION LOSS: .11 X SQUARE ROOT OF F(GHz)

(MAX FREQ. CAN BE LIMITED BY CABLE)



REF. AS39029/60 &
MIL-DTL-38999 SERIES III

MATERIAL: SEE ABOVE	DIMENSIONS ARE IN INCHES TOLERANCES: FRACTIONAL: ±1/64 ANGULAR: X° ±1'0" X*X' ±15'	UNLESS OTHERWISE SPECIFIED 1) ALL DIMENSIONS ARE AFTER PLATING. 2) BREAK CORNERS & EDGES .005 R. MAX. 3) CHAM. 1ST & LAST THREADS. 4) SURFACE ROUGHNESS 63 √ MIL-STD-10. 5) DIA.'S ON COMMON CENTERS TO BE CONCENTRIC WITHIN .005 T.I.R. 6) REMOVE ALL BURRS	SV Microwave, Inc. 2400 Centrepark West Drive, Suite 100 West Palm Beach, FL 33409 TITLE: SIZE 8 PIN FOR T-FLEX 405 CABLE
FINISH: SEE ABOVE	DECIMAL: .X ±.030 .XX ±.010 .XXX ±.005	INTERPRET DIMENSIONS AND TOLERANCES PER ASME Y14.5M - 1994	
PROPRIETARY THE INFORMATION CONTAINED IN THIS DRAWING IS THE SOLE PROPERTY OF SV MICROWAVE, INC. ANY REPRODUCTION IN PART OR AS A WHOLE WITHOUT THE WRITTEN PERMISSION OF SV MICROWAVE, INC IS PROHIBITED.	THIRD ANGLE PROJECTION	DRAWN: VMJ 02/01/05	SIZE CAGE CODE DWG. NO. B 95077 8001-4107
		CHECKED: JMC 02/03/05	SCALE: 6:1
		APPROVED: JMC 02/03/05	SHEET 1 OF 1
		E.M. SIMULATION: N/A	