



Chipsmall Limited consists of a professional team with an average of over 10 year of expertise in the distribution of electronic components. Based in Hongkong, we have already established firm and mutual-benefit business relationships with customers from,Europe,America and south Asia,supplying obsolete and hard-to-find components to meet their specific needs.

With the principle of “Quality Parts,Customers Priority,Honest Operation,and Considerate Service”,our business mainly focus on the distribution of electronic components. Line cards we deal with include Microchip,ALPS,ROHM,Xilinx,Pulse,ON,Everlight and Freescale. Main products comprise IC,Modules,Potentiometer,IC Socket,Relay,Connector.Our parts cover such applications as commercial,industrial, and automotives areas.

We are looking forward to setting up business relationship with you and hope to provide you with the best service and solution. Let us make a better world for our industry!



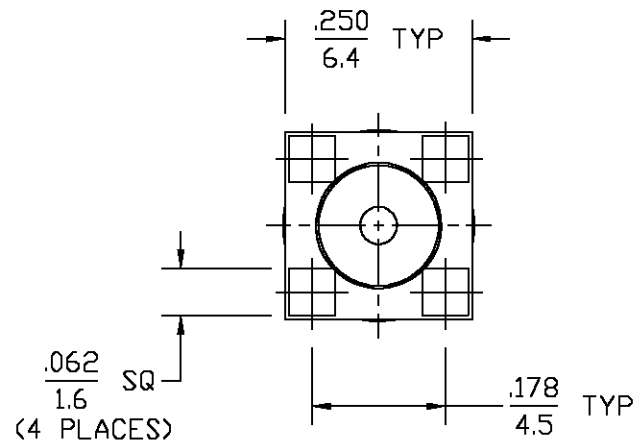
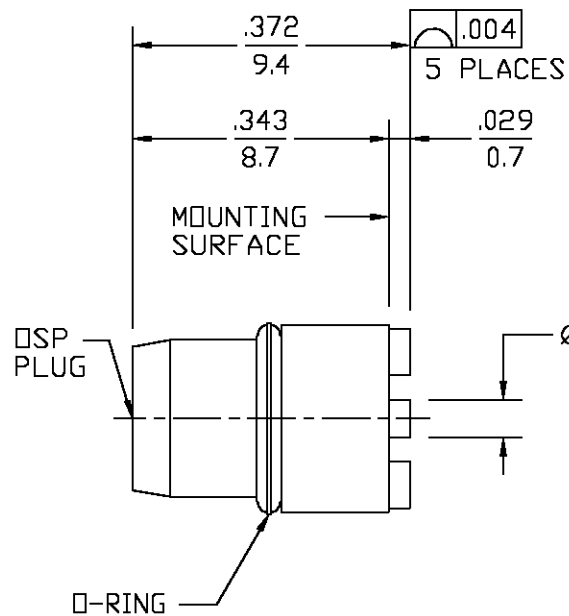
Contact us

Tel: +86-755-8981 8866 Fax: +86-755-8427 6832

Email & Skype: info@chipsmall.com Web: www.chipsmall.com

Address: A1208, Overseas Decoration Building, #122 Zhenhua RD., Futian, Shenzhen, China





REVISIONS			
REV	DESCRIPTION	DATE	APPROVED
01 0	RELEASED	3/20/98	<i>[Signature]</i>
C	REVISED PER OS14-0146-02	GV 21MAY03	JGH

ELECTRICAL	MECHANICAL	ENVIRONMENTAL
Nominal Impedance (Ohms) 50	Interface Dimensions DESC SPEC 85071	TEMPERATURE RATING -65° TO +125°C
Frequency Range (GHz) DC to 18	Mating Characteristics:	Vibration MIL-STD-202, Method 204, Condition D
Volt Rating (VRMS MAX) @ Sea Level 335	Insertion (MAX Lbs) N/A	Shock MIL-STD-202, Method 213, Condition I
VSWR N/A	Withdrawal (MIN Oz) N/A	Thermal Shock MIL-STD-202, Method 107, Condition B
Insertion Loss (dB MAX) N/A	Force to Engage (In-Lbs MAX) 3 & Disengage (In-Lbs MAX) 1.5	Moisture Resistance MIL-STD-202, Method 106
RF Leakage (dB MIN) (Interface Only, Fully Mated) <-90-F(GHz)>	Center Contact Captivation	Corrosion - MIL-STD-202, Method 101, Condition B
Corona, 70,000 Ft (VRMS MIN) 250	Axial (Lbs) 6	
Dielectric Withstanding Voltage (VRMS MIN) @ Sea Level 1000	Weight (Grams) TBD	
Contact Resistance (Milliohms MAX)		
Center Contact 2.0		
Outer Contact 2.0		
Cable to Housing N/A		
RF High Potential @ Sea Level (VRMS MIN @ 5 MHz) 670		
I.R. (Megohms MIN) 5000		

COMPONENT	MATERIAL	FINISH
HOUSING	STAINLESS STEEL PER ASTM-A484 AND ASTM-A582, TYPE 303	GOLD PLATE PER MIL-G-45204
DIELECTRIC	PTFE FLUOROCARBON PER ASTM-D-1457	N/A
CENTER CONTACT	BRASS PER ASTM B 16	GOLD PLATE PER MIL-G-45204
O-RING	FLOUROSilICONE PER MIL-R-25988, CLASS I, TYPE I.	N/A

UNLESS OTHERWISE SPECIFIED DIMENSIONS ARE IN INCHES

FRAC. ± 1/64 DEC. ± .005 ANGLES ± 1°

DRAWN BY *S. Morby* DATE 1/22/98
 CHECKED BY
 APP'D BY *[Signature]* 3/20/98

USE ASS'Y PROCEDURE

NO. AP. N/A

These drawings and specifications are the property of M/A COM Interconnect Div. and shall not be reproduced or copied or used in whole or in part as the basis for the manufacture or sale of item(s) without written permission.

M/A-COM
a Division of AMP Incorporated
140 Fourth Avenue
Waltham, MA 02154-7577

AMP M/A-COM

TITLE DSP PRINTED CIRCUIT BOARD PLUG RECEPTACLE - STRAIGHT TERMINAL

SIZE B	CODE IDENT NO. 26805	4563-5004-00	REV 01 0
SCALE 5:1		SHEET 1 OF 1	

CUSTOMER DRAWING

AMP PART # 1253111-1
SHEET 1 OF 1 REV C