



Chipsmall Limited consists of a professional team with an average of over 10 year of expertise in the distribution of electronic components. Based in Hongkong, we have already established firm and mutual-benefit business relationships with customers from,Europe,America and south Asia,supplying obsolete and hard-to-find components to meet their specific needs.

With the principle of “Quality Parts,Customers Priority,Honest Operation,and Considerate Service”,our business mainly focus on the distribution of electronic components. Line cards we deal with include Microchip,ALPS,ROHM,Xilinx,Pulse,ON,Everlight and Freescale. Main products comprise IC,Modules,Potentiometer,IC Socket,Relay,Connector.Our parts cover such applications as commercial,industrial, and automotives areas.

We are looking forward to setting up business relationship with you and hope to provide you with the best service and solution. Let us make a better world for our industry!



Contact us

Tel: +86-755-8981 8866 Fax: +86-755-8427 6832

Email & Skype: info@chipsmall.com Web: www.chipsmall.com

Address: A1208, Overseas Decoration Building, #122 Zhenhua RD., Futian, Shenzhen, China



INTERCONNECTS

SERIES 350, 450, 801, 803 • .100" GRID (.025" DIA. PINS), LOW PROFILE HEADERS & VERSATILE SOCKETS • SINGLE & DOUBLE ROW STRIPS

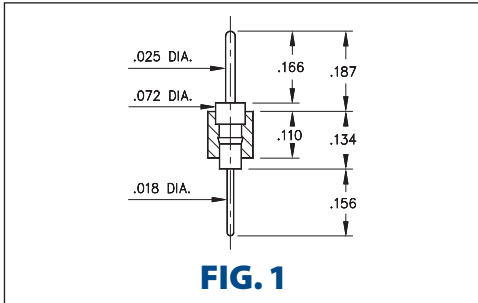


FIG. 1

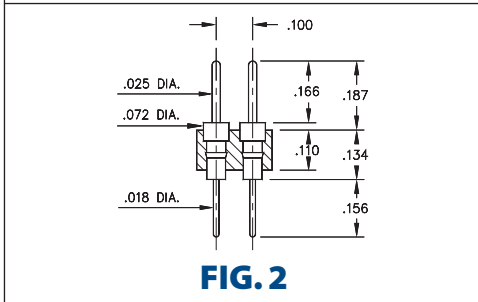


FIG. 2

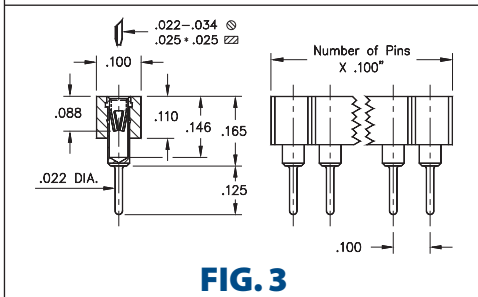


FIG. 3

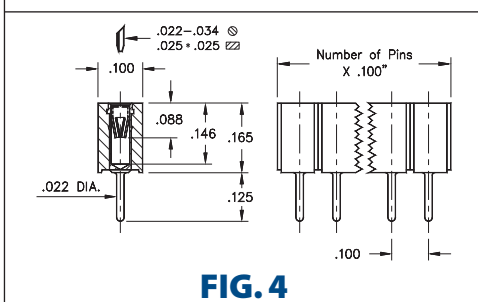


FIG. 4

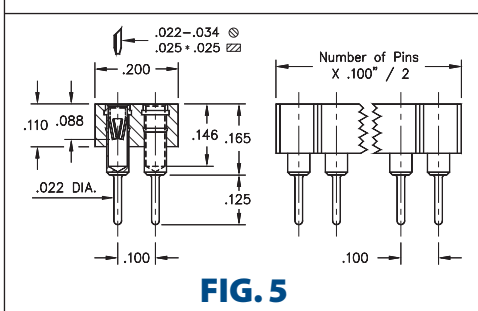


FIG. 5

- Series 350 and 450 single and double row pin headers use MM #0290 pins. See page 215 for details
- Series 801 and 803 single and double row low profile sockets use MM #1303 receptacles. See page 180 for details
- Series 801 and 803 receptacles use Hi-Rel, 6-finger BeCu #16 contact rated at 4.5 amps. Receptacles accept .025" diameter and .025" square pins. See page 256 for details
- Insulators are high temperature thermoplastic, suitable for all soldering operations



ORDERING INFORMATION

FIG. 1	Series 350...001 Single Row .025" Pin / .018" Solder Tail	350-XX-1__-00-001000			
	Specify number of pins	01-64			
FIG. 2	Series 450...001 Double Row .025" Pin / .018" Solder Tail	450-XX-2__-00-001000			
	Specify number of pins	04-64			
XX=Plating Code See Below For Electrical, Mechanical & Environmental Data, See page 264					
SPECIFY PLATING CODE XX=		10	90	40	
Pin Plating		10 μ" Au	200 μ" Sn/Pb	200 μ" Sn	
FIG. 3	Series 801...003 Low Profile Socket (short insulator)	801-XX-0__-10-003000			
	Specify number of pins	01-64			
FIG. 4	Series 801...013 Low Profile Socket (long insulator)	801-XX-0__-10-013000			
	Specify number of pins	01-36			
FIG. 5	Series 803...003 Double Row Low Profile Socket	803-XX-0__-10-003000			
	Specify number of pins	04-72			
XX=Plating Code See Below For Electrical, Mechanical & Environmental Data, See page 264					
SPECIFY PLATING CODE XX=				41	43
Sleeve (Pin)				200 μ" Sn	200 μ" Sn
Contact (Clip)				10 μ" Au	30 μ" Au

