



Chipsmall Limited consists of a professional team with an average of over 10 year of expertise in the distribution of electronic components. Based in Hongkong, we have already established firm and mutual-benefit business relationships with customers from,Europe,America and south Asia,supplying obsolete and hard-to-find components to meet their specific needs.

With the principle of “Quality Parts,Customers Priority,Honest Operation,and Considerate Service”,our business mainly focus on the distribution of electronic components. Line cards we deal with include Microchip,ALPS,ROHM,Xilinx,Pulse,ON,Everlight and Freescale. Main products comprise IC,Modules,Potentiometer,IC Socket,Relay,Connector.Our parts cover such applications as commercial,industrial, and automotives areas.

We are looking forward to setting up business relationship with you and hope to provide you with the best service and solution. Let us make a better world for our industry!



## Contact us

Tel: +86-755-8981 8866 Fax: +86-755-8427 6832

Email & Skype: info@chipsmall.com Web: www.chipsmall.com

Address: A1208, Overseas Decoration Building, #122 Zhenhua RD., Futian, Shenzhen, China





# Scotchlok™

## Insulation Displacement Electrical Tap Connector 801

### Data Sheet



#### Application

Use Scotchlok™ Tap Connector 801 to electrically connect a (tap) wire end to a through (run) wire, join parallel run wires, and insulate the connection.

#### Wire Range

18 -16 AWG (0,75-1,0mm<sup>2</sup>) solid or stranded, 14 AWG (1,5mm<sup>2</sup>) solid or stranded, tinned or untinned copper conductors. For use with thermoplastic insulated wires such as: T, TW, TFF, TFN, TFFN, AWN, TEW, SAE-GPT, with a maximum insulation diameter of .145 inches (3,5 mm).

Maximum recommended current for general purpose applications: 18 AWG - 7 Amps, 16 AWG - 10 Amps, 14 AWG - 15 Amps

#### Construction

U-Contact - Tin plated brass, .03 in. thick (0,8 mm)  
Insulator - Polypropylene  
Color - blue

#### Weight

.0032 lb. (1,45 gm)

#### Recommended Installation Tools

3M™ Crimping Tool No. E-9BM  
9" Linemans Pliers

#### Engineering Specification

Insulation Displacement Connector (as manufactured by 3M, part No. 801) capable of connecting a tap wire to a run wire in the range of 18-16 AWG (0,75-1,0mm<sup>2</sup>) solid or stranded, and 14 AWG (1,5mm<sup>2</sup>) stranded, tinned or untinned copper conductors. The connector shall be UL Listed for 600 Volts maximum building wire: 1000 Volts maximum, signs fixtures and luminaires, and have a maximum insulating temperature of 105°C (221°F).

#### Regulatory Agencies

**UL Listed** as a Pressure Cable Connector  
Tested per UL Standard 486C  
UL File No. E23438

Operating Temperature: 105°C (221°F)  
Voltage Rating: 600 volts max. building wire;  
1000 volts max. signs and fixtures  
Flammability Rating: UL94 V-2

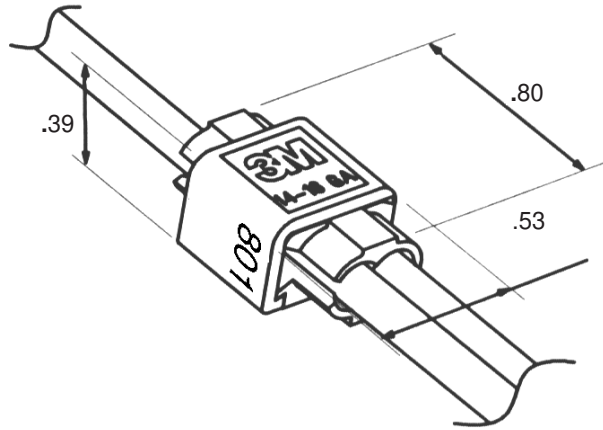
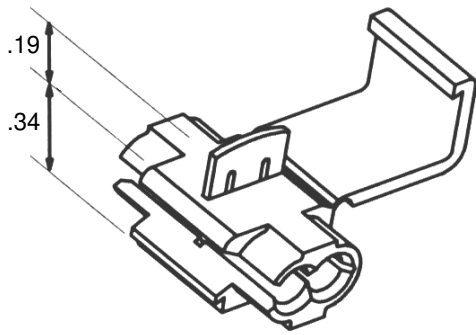
**CSA Certified**-CSA Standard C22.2 No. 0, 188-M1983  
CSA File No. LR15503

Operating Temperature: 105°C (221°F)  
Voltage Rating: 600 volts max. building wire  
1000 volts max. signs and luminaires.  
Flammability Rating: C22.2 No. 0.6 V-2

#### Federal Specification W-S-610:

“Commercial package only”

Type	Class	Kind	Style
1	1	cu	G

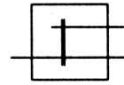


## Installation Instructions

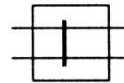
### **⚠ WARNING**

Turn power off before installing or removing terminal. All electrical work should be done according to appropriate electrical codes.

1. Place unstripped run wire inside run channel.
2. Insert unstripped tap wire completely.
3. Hold tool perpendicular to the wire and make the connection by crimping the u-contact down flush with the top of the plastic insulator.
4. Close top hinged cover until latched.



Tap / Run Connection



Parallel Connection

3M and Scotchlok are trademarks of 3M Company.

 is a trademark of Underwriters Laboratories.

 is a trademark of Canadian Standards Association.

### IMPORTANT NOTICE

Before using this product, you must evaluate it and determine if it is suitable for your intended application. You assume all risks and liability associated with such use.

**Warranty; Limited Remedy; Limited Liability.** This product will be free from defects in material and manufacture as of the date of purchase. **3M MAKES NO OTHER WARRANTIES INCLUDING, BUT NOT LIMITED TO, ANY IMPLIED WARRANTY OF MERCHANTABILITY OR FITNESS FOR A PARTICULAR PURPOSE.** If this product is defective within the warranty period stated above, your exclusive remedy shall be, at 3M's option, to replace or repair the 3M product or refund the purchase price of the 3M product. **Except where prohibited by law, 3M will not be liable for any loss or damage arising from this 3M product, whether direct, indirect, special, incidental or consequential regardless of the legal theory asserted.**

# 3M

### Electrical Products Division

6801 River Place Blvd.  
Austin, TX 78726-9000  
[www.3M.com/elpd](http://www.3M.com/elpd)

Litho in USA  
©3M 2003 78-8126-5927-0-A