



Chipsmall Limited consists of a professional team with an average of over 10 year of expertise in the distribution of electronic components. Based in Hongkong, we have already established firm and mutual-benefit business relationships with customers from,Europe,America and south Asia,supplying obsolete and hard-to-find components to meet their specific needs.

With the principle of “Quality Parts,Customers Priority,Honest Operation,and Considerate Service”,our business mainly focus on the distribution of electronic components. Line cards we deal with include Microchip,ALPS,ROHM,Xilinx,Pulse,ON,Everlight and Freescale. Main products comprise IC,Modules,Potentiometer,IC Socket,Relay,Connector.Our parts cover such applications as commercial,industrial, and automotives areas.

We are looking forward to setting up business relationship with you and hope to provide you with the best service and solution. Let us make a better world for our industry!



## Contact us

Tel: +86-755-8981 8866 Fax: +86-755-8427 6832

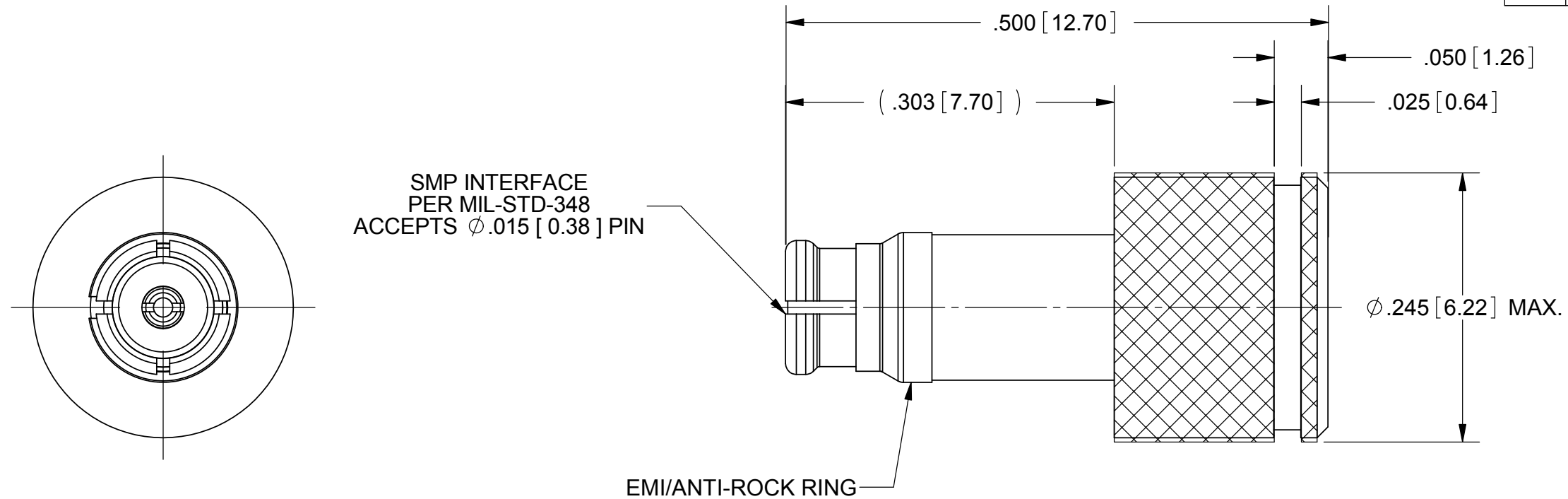
Email & Skype: info@chipsmall.com Web: www.chipsmall.com

Address: A1208, Overseas Decoration Building, #122 Zhenhua RD., Futian, Shenzhen, China



# PRODUCT DATA DRAWING

REVISION HISTORY			
REV	DESCRIPTION	DATE	APPROVED
-	REL. NRN 39945	10/29/15	STW



**MATERIALS:**  
 BODY, CONTACT,  
 EMI/ANTI-ROCK RING  
 & CAP:

BERYLLIUM COPPER ALLOY PER ASTM B196  
 ALLOY No. UNS17300 TD04  
 PTFE PER ASTM D1710  
 ALUMINA SUBSTRATE WITH NICHROME RESISTOR

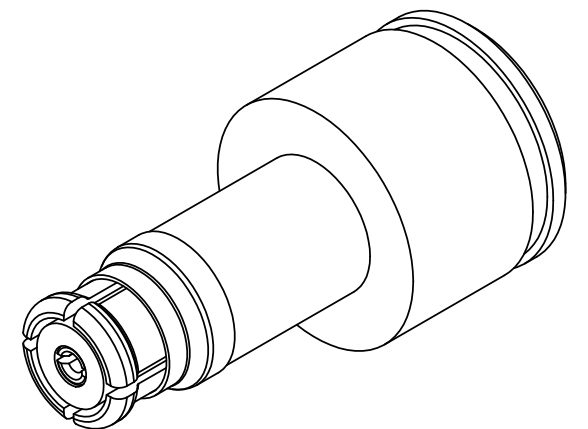
**INSULATOR:**  
**RESISTOR ELEMENT:**

**FINISHES:**  
 BODY, CONTACT,  
 EMI/ANTI-ROCK RING  
 & CAP:

GOLD PER ASTM B488, TYPE II, GRADE C, CLASS 1.27,  
 OVER NICKEL PER AMS-QQ-N-290, CLASS 1

**ELECTRICAL:**  
**IMPEDANCE:**  
**FREQ. RANGE:**  
**VSWR:**  
**AVG. POWER:**  
**PEAK POWER:**

50 OHMS  
 DC TO 26.5 GHZ  
 1.25:1, DC TO 26.5 GHZ  
 2 WATTS (POWER INPUT DERATED LINEARLY  
 FROM 25°C TO .2 WATTS AT 125 °C)  
 50 WATTS, PULSE WIDTH OF 5 MICROSECONDS  
 AND A DUTY CYCLE OF 5 X10-4



MATERIAL: SEE NOTES	DIMENSIONS ARE IN INCHES TOLERANCES: FRACTIONAL: ±1/64 ANGULAR: X° ±1'0" X°X' ±15'	UNLESS OTHERWISE SPECIFIED 1) ALL DIMENSIONS ARE IN INCHES (MILLIMETERS) 2) ALL DIMENSIONS ARE AFTER PLATING. 3) BREAK CORNERS & EDGES .005 R. MAX. 4) CHAM. 1ST & LAST THREADS. 5) SURFACE ROUGHNESS 63-MIL-STD-10. 6) DIA. 'S ON COMMON CENTERS TO BE CONCENTRIC WITHIN .005 T.I.R. 7) REMOVE ALL BURRS	<b>SV Microwave, Inc.</b> 2400 Centrepark West Drive, Suite 100 West Palm Beach, FL 33409 TITLE: <b>SMP FEMALE TERMINATION                  2 WATTS</b>
FINISH: SEE NOTES	DECIMAL: X ±.030 .XX ±.010 .XXX ±.005	INTERPRET DIMENSIONS AND TOLERANCES PER ASME Y14.5M - 1994	
SURFACE AREA: N/A	THIRD ANGLE PROJECTION	DRAWN: JMC 10/29/15	SIZE: B CAGE CODE: 95077 DWG. NO. 8012-4013
PROPRIETARY THE INFORMATION CONTAINED IN THIS DRAWING IS THE SOLE PROPERTY OF SV MICROWAVE, INC. ANY REPRODUCTION IN PART OR AS A WHOLE WITHOUT THE WRITTEN PERMISSION OF SV MICROWAVE, INC IS PROHIBITED.		CHECKED: STW 10/29/15	SCALE: 8:1
		APPROVED: STW 10/29/15	SHEET 1 OF 1