



Chipsmall Limited consists of a professional team with an average of over 10 year of expertise in the distribution of electronic components. Based in Hongkong, we have already established firm and mutual-benefit business relationships with customers from,Europe,America and south Asia,supplying obsolete and hard-to-find components to meet their specific needs.

With the principle of “Quality Parts,Customers Priority,Honest Operation,and Considerate Service”,our business mainly focus on the distribution of electronic components. Line cards we deal with include Microchip,ALPS,ROHM,Xilinx,Pulse,ON,Everlight and Freescale. Main products comprise IC,Modules,Potentiometer,IC Socket,Relay,Connector.Our parts cover such applications as commercial,industrial, and automotives areas.

We are looking forward to setting up business relationship with you and hope to provide you with the best service and solution. Let us make a better world for our industry!



Contact us

Tel: +86-755-8981 8866 Fax: +86-755-8427 6832

Email & Skype: info@chipsmall.com Web: www.chipsmall.com

Address: A1208, Overseas Decoration Building, #122 Zhenhua RD., Futian, Shenzhen, China



CAD
GENERATED
DRAWING

DCN
CONTROLLED
DOCUMENT

DWG. NO.

8017-6002

PRODUCT DATA DRAWING

MATERIAL :

BODY,
BUSHING &
PRESS SLEEVE: STAINLESS STEEL PER AMS-5640
ALLOY UNS S30300, TYPE I

CONTACTS,
E-RING,
SPRING CLIP &
SHIM SPRING: BERYLLIUM COPPER PER ASTM B196,
ALLOY UNS C17300, TD04

BODY: BRASS PER ASTM B16,
ALLOY UNS C36000, H02

INSULATOR: PTFE PER ASTM D1710, TYPE I, GRADE 1, CLASS B

INSULATOR: KEL-F

COIL SPRING: CARBON STEEL MUSIC WIRE

RESISTOR ELEMENT: ALUMINUM NITRIDE SUBSTRATE WITH
TANTALUM NITRIDE RESISTOR; GOLD
PLATED TERMINATIONS

FINISH :

BODIES,
CONTACTS,
INSERT,
SHIM SPRING &
SPRING CLIP: GOLD PER ASTM B488, TYPE I,
CODE C, CLASS 0; OVER NICKEL
PER AMS-QQ-N-290, CLASS 1, .000050" MIN.

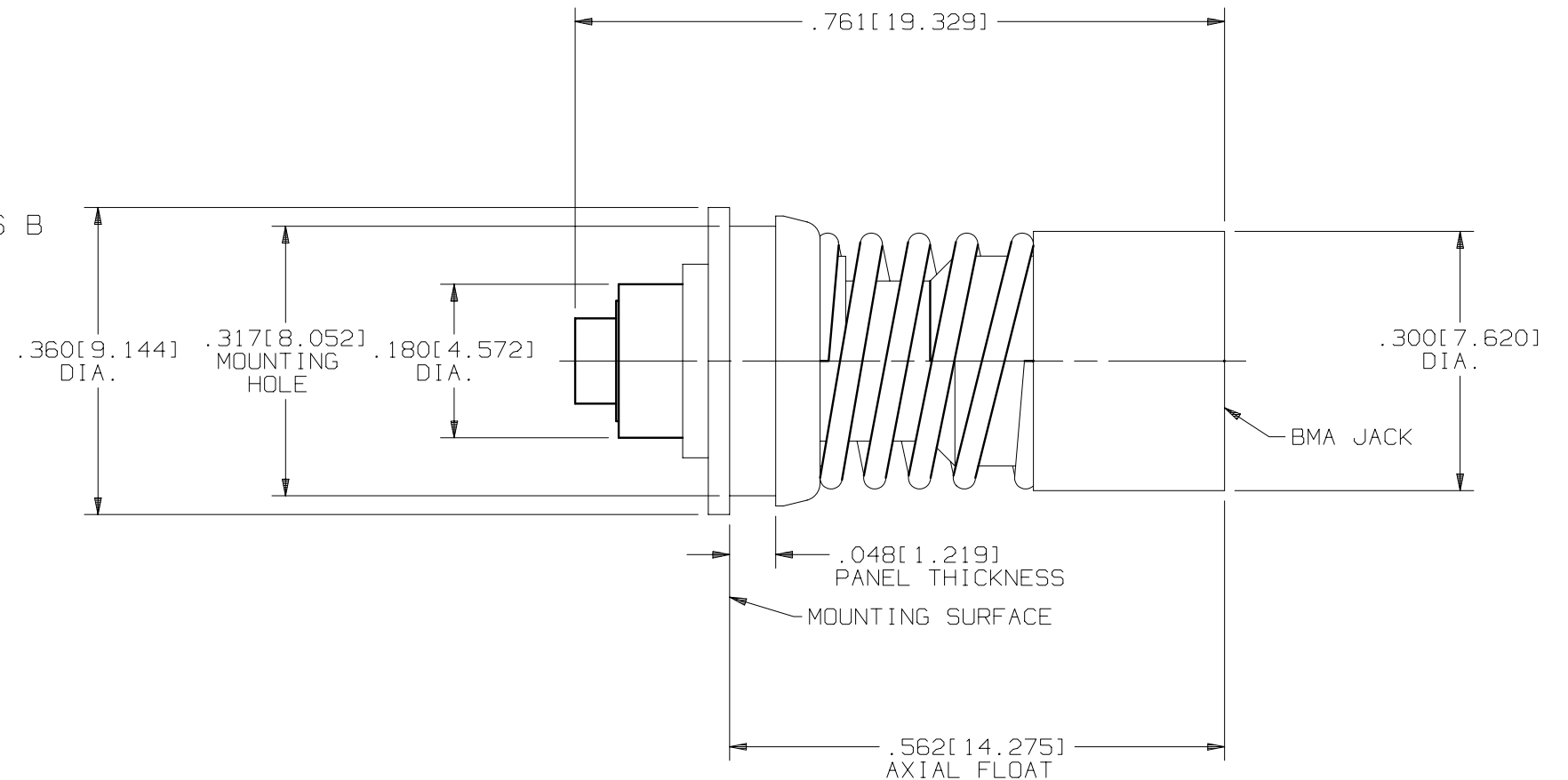
CONTACT: GOLD PER ASTM B488, TYPE II,
CODE C, CLASS 1.27; OVER NICKEL
PER AMS-QQ-N-290, CLASS 1, .000050" MIN.

E-RING: NICKEL PER AMS-QQ-N-290,
CODE G, CLASS 1

SPRING: ZINC

PERFORMANCE :

IMPEDANCE: 50 OHMS
FREQ. RANGE: DC TO 12.0 GHz
VSWR: 1.20:1 DC TO 12 GHz
AVG. POWER: 1 WATT (NOTE 1)



NOTES:

- POWER INPUT DERATED LINEARLY FROM 25°C TO .5 WATTS AT 125°C.

SYM.	DESCRIPTION	DATE	APPR.	UNLESS OTHERWISE SPECIFIED: 1) ALL DIMENSIONS ARE AFTER PLATING. 2) BREAK CORNERS & EDGES .005 R. MAX. 3) CHAM. 1s1 & LAST THDS. 4) SURFACE ROUGHNESS 63 / MIL-STD-10. 5) DIAS. ON COMMON CENTERS TO BE CONCENTRIC WITHIN .005 T.I.R. 6) REMOVE ALL BURRS.	DIMENSIONS ARE IN INCHES TOLERANCES:			SV Microwave, Inc. 2400 Centrepark West Drive, Suite 100 West Palm Beach, FL 33409
				DECIMALS .X ±.030 .XX ±.015 .XXX ±.005	FRACTIONAL ±1/64	ANGULAR X° ±1°0' X°X' ±15'	TITLE:	
-	REL.DCN 29339	01/03	STW		MATERIAL: SEE ABOVE			BMA JACK FLOATING MOUNT TERMINATION
A	REV.DCN 32953	04/05	CCC		FINISH: SEE ABOVE			
B	REV.DCN 33116	06/05	CCC		SIZE	CAGE NO.	SCALE	DWG. NO.
				DRAWN: MEB 01/06/03	B	95077	5X	8017-6002
				CHECKED: STW 01/06/03				
				APPROVED: STW 01/06/03				