



Chipsmall Limited consists of a professional team with an average of over 10 year of expertise in the distribution of electronic components. Based in Hongkong, we have already established firm and mutual-benefit business relationships with customers from,Europe,America and south Asia,supplying obsolete and hard-to-find components to meet their specific needs.

With the principle of “Quality Parts,Customers Priority,Honest Operation,and Considerate Service”,our business mainly focus on the distribution of electronic components. Line cards we deal with include Microchip,ALPS,ROHM,Xilinx,Pulse,ON,Everlight and Freescale. Main products comprise IC,Modules,Potentiometer,IC Socket,Relay,Connector.Our parts cover such applications as commercial,industrial, and automotives areas.

We are looking forward to setting up business relationship with you and hope to provide you with the best service and solution. Let us make a better world for our industry!



Contact us

Tel: +86-755-8981 8866 Fax: +86-755-8427 6832

Email & Skype: info@chipsmall.com Web: www.chipsmall.com

Address: A1208, Overseas Decoration Building, #122 Zhenhua RD., Futian, Shenzhen, China



PRODUCT DATA DRAWING

CAD GENERATED DRAWING	DCN CONTROLLED DOCUMENT	DWG. NO. 8018-6173
-----------------------------	-------------------------------	----------------------------------

MATERIAL:

BODY, PRESS CAP
& COUPLING NUT: STAINLESS STEEL PER AMS-5640,
UNS S30300, TYPE 1

CONTACT &
LOCK RING: BERYLLIUM COPPER PER ASTM-B-196,
ALLOY C17300, COND. TD04

INSULATOR: TEFLON PER ASTM-D-1457

GASKET: SILICONE RUBBER PER ZZ-R-765,
CLASS II, GRADE 5-/60

RESISTOR: ALUMINA SUBSTRATE W/ NICHROME
RESISTIVE MATERIAL

FINISH:

BODY: GOLD PER MIL-G-45204, TYPE I,
GRADE C, CLASS 0; OVER NICKEL
PER QQ-N-290, CLASS 2

CONTACT: GOLD PER MIL-G-45204, TYPE I,
GRADE C, CLASS 1; OVER NICKEL
PER QQ-N-290, CLASS 2

COUPLING NUT
& PRESS CAP: GOLD PER MIL-G-45204, TYPE I,
GRADE C, CLASS 00; OVER NICKEL
PER QQ-N-290, CLASS 1

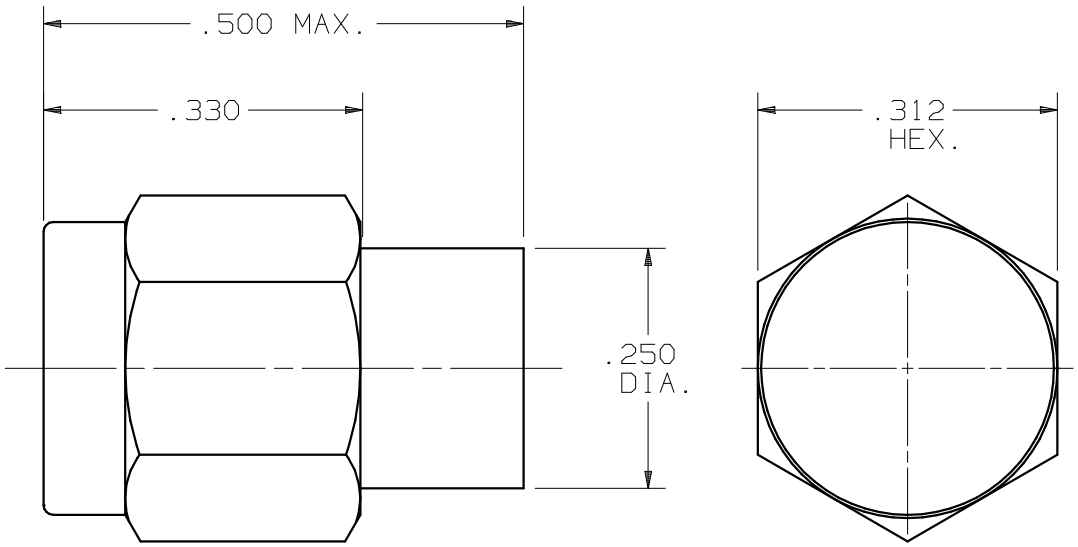
PERFORMANCE:

IMPEDANCE: 50 OHMS

FREQ. RANGE: DC-18.0 GHz

VSWR: DC-4.0 GHz 1.10:1
4.0-12.4 GHz 1.20:1
12.4-18.0 GHz 1.30:1

POWER RATING: .5 WATT



SYM.	DESCRIPTION	DATE	APPR.	UNLESS OTHERWISE SPECIFIED:
-	REL. DCN 28693	08/02	SW	1) ALL DIMENSIONS ARE AFTER PLATING. 2) BREAK CORNERS & EDGES .005 R. MAX. 3) CHAM. 1st & LAST THDS. 4) SURFACE ROUGHNESS 63 J MIL-STD-10. 5) DIAS. ON COMMON CENTERS TO BE CONCENTRIC WITHIN .005 T.I.R. 6) REMOVE ALL BURRS.
				DRAWN: BRT 8/02/02
				CHECKED: STW 8/05/02
				APPROVED: STW 8/05/02

DIMENSIONS ARE IN INCHES		
TOLERANCES:		
DECIMALS	FRACTIONAL	ANGULAR
.X ±.030		X° ±1°0'
.XX ±.015	±1/64	X°X' ±15'
.XXX ±.005		
MATERIAL: SEE ABOVE		
FINISH: SEE ABOVE		AREA: N/A
SIZE	CAGE NO.	SCALE
A	95077	N/A

SV Microwave, Inc. 2400 Centrepark West Drive, Suite 100 West Palm Beach, FL 33409
TITLE: SMA PLUG TERMINATION
DWG. NO. 8018-6173