



Chipsmall Limited consists of a professional team with an average of over 10 year of expertise in the distribution of electronic components. Based in Hongkong, we have already established firm and mutual-benefit business relationships with customers from,Europe,America and south Asia,supplying obsolete and hard-to-find components to meet their specific needs.

With the principle of “Quality Parts,Customers Priority,Honest Operation,and Considerate Service”,our business mainly focus on the distribution of electronic components. Line cards we deal with include Microchip,ALPS,ROHM,Xilinx,Pulse,ON,Everlight and Freescale. Main products comprise IC,Modules,Potentiometer,IC Socket,Relay,Connector.Our parts cover such applications as commercial,industrial, and automotives areas.

We are looking forward to setting up business relationship with you and hope to provide you with the best service and solution. Let us make a better world for our industry!



Contact us

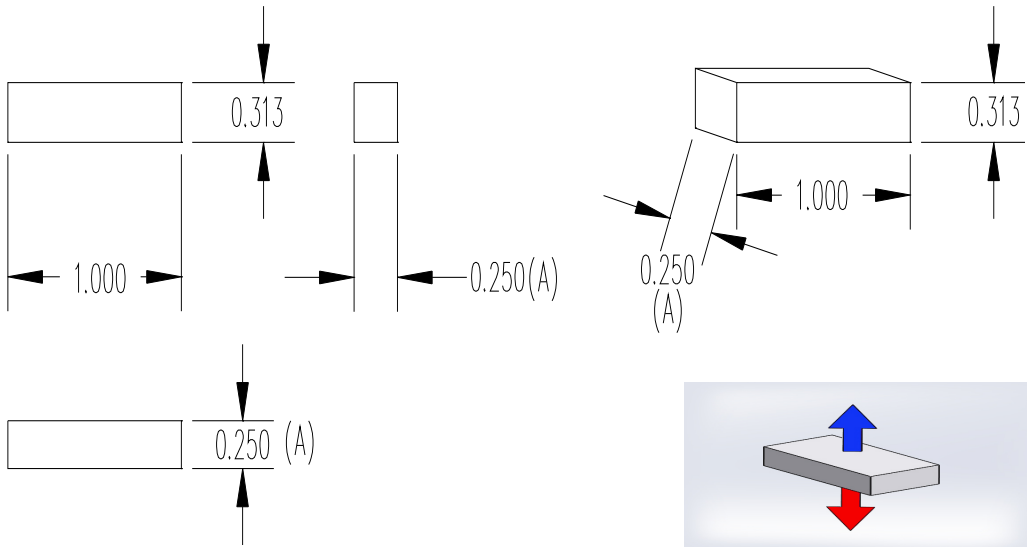
Tel: +86-755-8981 8866 Fax: +86-755-8427 6832

Email & Skype: info@chipsmall.com Web: www.chipsmall.com

Address: A1208, Overseas Decoration Building, #122 Zhenhua RD., Futian, Shenzhen, China



REVISIONS			
LTR	DESCRIPTION	DATE	APPROVED
—	INITIAL RELEASE		H D



UNLESS OTHERWISE SPECIFIED
DIMENSIONS ARE IN INCHES

TOLERANCES:
 FRACTIONS: $\pm 1/64$
 DECIMALS: ± 0.015
 ANGLES: $\pm 1^\circ$

MATERIAL: NdFeB
 FINISH: NiCuNi

RADIAL MAGNETS INC.			
108B NW 20th St. BOCA RATON, FL 33431 (561)392-2103			
SHAPE BLOCK	STRENGTH N35	PLATING NiCuNi	SIZE AND DIRECTION OF MAGNETIZATION (A) 1" x 5/16" x 1/4"
SIZE A	PART # 8029	DRAWING # RM8029	REVISION -
SCALE 1 : 1	DRAWN: CG	CHECKED: HD	APPROVED: HD PAGE 1 OF 1