



Chipsmall Limited consists of a professional team with an average of over 10 year of expertise in the distribution of electronic components. Based in Hongkong, we have already established firm and mutual-benefit business relationships with customers from,Europe,America and south Asia,supplying obsolete and hard-to-find components to meet their specific needs.

With the principle of “Quality Parts,Customers Priority,Honest Operation,and Considerate Service”,our business mainly focus on the distribution of electronic components. Line cards we deal with include Microchip,ALPS,ROHM,Xilinx,Pulse,ON,Everlight and Freescale. Main products comprise IC,Modules,Potentiometer,IC Socket,Relay,Connector.Our parts cover such applications as commercial,industrial, and automotives areas.

We are looking forward to setting up business relationship with you and hope to provide you with the best service and solution. Let us make a better world for our industry!



## Contact us

Tel: +86-755-8981 8866 Fax: +86-755-8427 6832

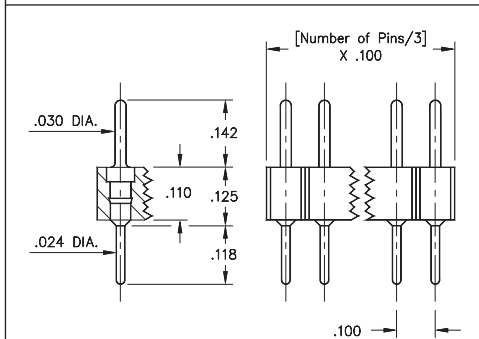
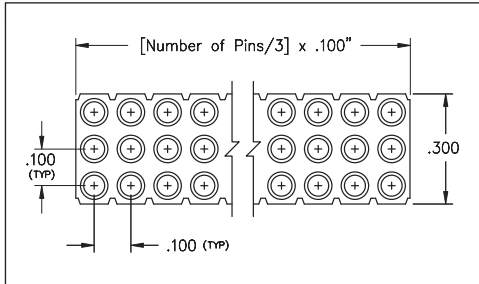
Email & Skype: info@chipsmall.com Web: www.chipsmall.com

Address: A1208, Overseas Decoration Building, #122 Zhenhua RD., Futian, Shenzhen, China

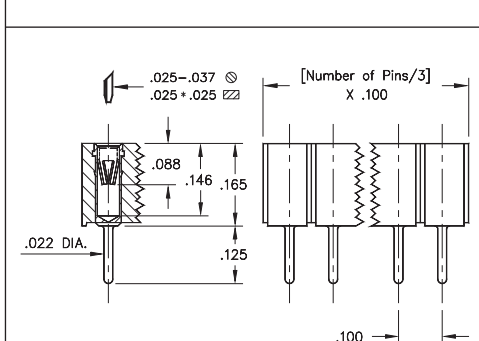
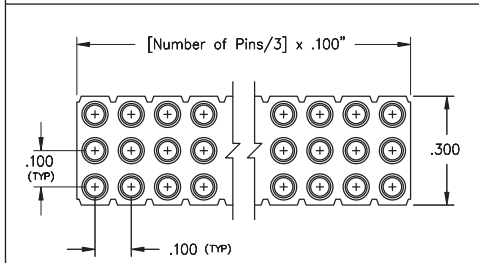


# INTERCONNECTS

## SERIES 804 & 805 • .100" GRID (.030" DIA. PINS), HEADERS AND SOCKETS • TRIPLE ROW

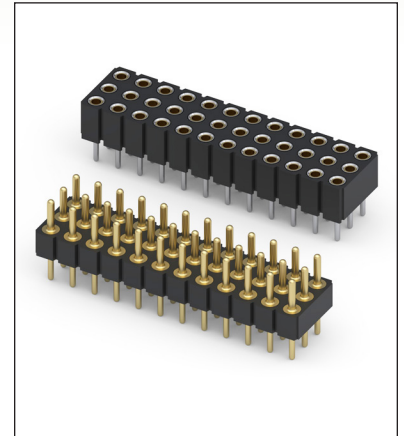


**FIG. 1**



**FIG. 2**

- Series 804 triple row .100" grid headers uses MM #5016 pins. See page 215 for details
- Series 805 triple row .100" grid sockets uses MM #1303 pins. See page 180 for details
- Series 805 triple row .100" grid sockets uses Hi-Rel, 6-finger BeCu #47 contact rated at 4.5 amps. See page 256 for details
- Insulators are high temperature thermoplastic, suitable for all soldering operations



### ORDERING INFORMATION

<b>FIG. 1</b>	<b>Series 804...002</b>	<b>Straight Pin Header</b>			
	804-10-0	-10-002000			
	Specify number of pins	09-96			
	<b>RoHS - 2</b> 2011/65/EU	<b>XX=Plating Code</b> See Below	For Electrical, Mechanical & Environmental Data, See page 264		
	<b>SPECIFY PLATING CODE XX=</b>	10			
	Pin Plating	10 μ" Au			

<b>FIG. 2</b>	<b>Series 805...012</b>	<b>Straight Pin Socket</b>			
	805-43-0	-10-012000			
	Specify number of pins	09-96			
	<b>RoHS - 2</b> 2011/65/EU	<b>XX=Plating Code</b> See Below	For Electrical, Mechanical & Environmental Data, See page 264		
	<b>SPECIFY PLATING CODE XX=</b>				43
	Sleeve (Pin)				200 μ" Sn
	Contact (Clip)				30 μ" Au

