



Chipsmall Limited consists of a professional team with an average of over 10 year of expertise in the distribution of electronic components. Based in Hongkong, we have already established firm and mutual-benefit business relationships with customers from,Europe,America and south Asia,supplying obsolete and hard-to-find components to meet their specific needs.

With the principle of “Quality Parts,Customers Priority,Honest Operation,and Considerate Service”,our business mainly focus on the distribution of electronic components. Line cards we deal with include Microchip,ALPS,ROHM,Xilinx,Pulse,ON,Everlight and Freescale. Main products comprise IC,Modules,Potentiometer,IC Socket,Relay,Connector.Our parts cover such applications as commercial,industrial, and automotives areas.

We are looking forward to setting up business relationship with you and hope to provide you with the best service and solution. Let us make a better world for our industry!



Contact us

Tel: +86-755-8981 8866 Fax: +86-755-8427 6832

Email & Skype: info@chipsmall.com Web: www.chipsmall.com

Address: A1208, Overseas Decoration Building, #122 Zhenhua RD., Futian, Shenzhen, China



MODEL 805 ACCELEROMETER



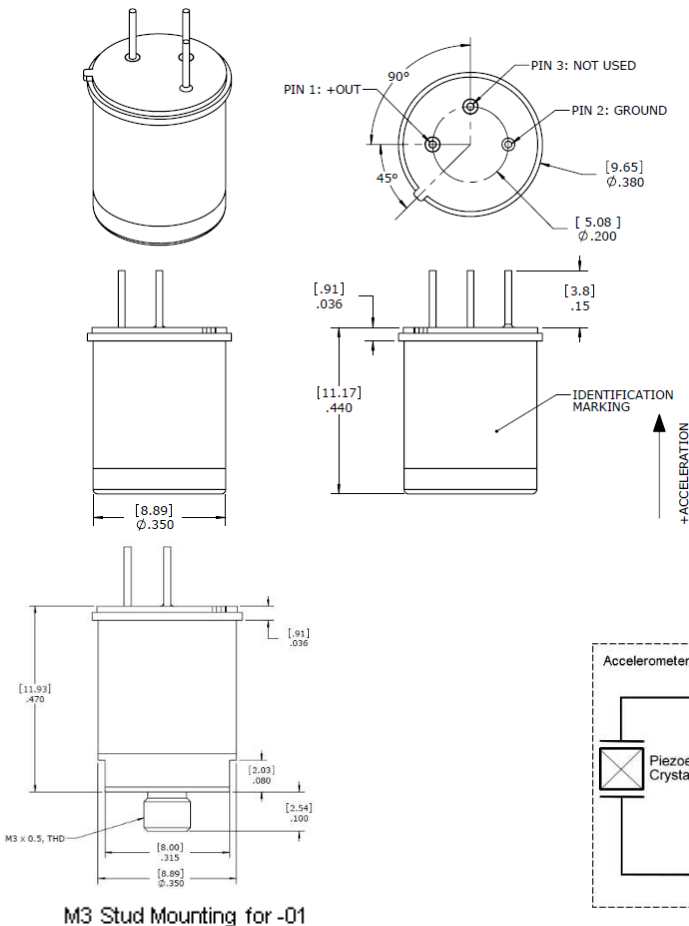
SPECIFICATIONS

- TO-5 Series Accelerometer
- 2-Wire IEPE Interface
- Low-Cost, Embedded Applications
- Wide Bandwidth to 15kHz

The **Model 805** is a miniature adhesive mount IEPE accelerometer built on a 3-pin TO-5 header. It is available in $\pm 50g$ and $\pm 500g$ dynamic ranges and offers a flat frequency response to 15kHz. The accelerometer features a hermetic construction in a TO-5 header configuration. The model 805 incorporates a stable piezo-ceramic crystal and an integrated charge converter amplifier in a 100% shielded housing suitable for many embedded OEM applications.

The accelerometer is offered in two configurations; one for adhesive mounting and one for stud mounting.

DIMENSIONS

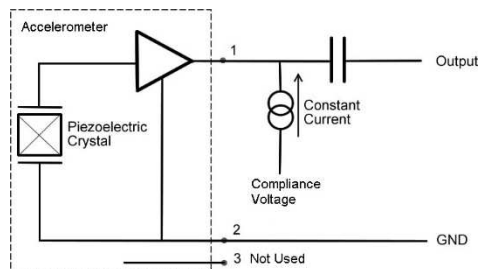


FEATURES

- $\pm 50g$ and $\pm 500g$ Range
- Wide bandwidth up to 15kHz
- TO-5 Configuration
- Hermetically Sealed
- $-40^\circ C$ to $+100^\circ C$ Operating Range
- Case Grounded Design

APPLICATIONS

- Machine Monitoring
- Low-Cost OEM Installation
- Permanent Structural Study
- Embedded Sensing Solution



PERFORMANCE SPECIFICATIONS

All values are typical at +24°C, 80Hz and 4mA excitation unless otherwise stated. Measurement Specialties reserves the right to update and change these specifications without notice.

Parameters			Notes
DYNAMIC			
Range (g)	±50	±500	
Sensitivity (mV/g)	100	10	±10% (see Note 1 for ±5% option)
Frequency Response (Hz)	1-8000	1-8000	±1dB
Frequency Response (Hz)	0.3-10000	0.3-12000	±3dB
Natural Frequency (Hz)	34000	34000	
Non-Linearity (%FSO)	±1	±1	
Transverse Sensitivity (%)	5	5	
Shock Limit (g)	5000	5000	
Residual Noise (g RMS)	0.0004	0.0009	Broadband 1Hz to 10kHz
ELECTRICAL			
Compliance Voltage (Vdc)	18 to 30		
Excitation Current (mA)	2 to 10		
Bias Voltage (Vdc)	8 to 12		Room Temperature
Bias Voltage (Vdc)	6 to 13		-40 to +100°C
Output Impedance (Ω)	<100		
Full Scale Output Voltage (V)	±5		
Grounding	Case grounded to mounting surface		
ENVIRONMENTAL			
Temperature Response (%)	±10		
Operating Temperature (°C)	-40 to +100		+120°C option, see Note 2
Storage Temperature (°C)	-54 to +125		
PHYSICAL			
Sensing Element	Piezo-Ceramic		
Case Material	Stainless Steel		
Weight (grams)	5.0		
Mounting	Adhesive or Circuit Board (M3 Stud Mounting for -01 Option)		

¹ Contact factory for model number to order with ±5% sensitivity tolerance

² Contact factory for model number to order with +120°C operating temperature

Calibration supplied: CS-SENS-0100 NIST Traceable Amplitude Calibration at 80Hz

The information in this sheet has been carefully reviewed and is believed to be accurate; however, no responsibility is assumed for inaccuracies. Furthermore, this information does not convey to the purchaser of such devices any license under the patent rights to the manufacturer. Measurement Specialties, Inc. reserves the right to make changes without further notice to any product herein. Measurement Specialties, Inc. makes no warranty, representation or guarantee regarding the suitability of its product for any particular purpose, nor does Measurement Specialties, Inc. assume any liability arising out of the application or use of any product or circuit and specifically disclaims any and all liability, including without limitation consequential or incidental damages. Typical parameters can and do vary in different applications. All operating parameters must be validated for each customer application by customer's technical experts. Measurement Specialties, Inc. does not convey any license under its patent rights nor the rights of others.

ORDERING INFORMATION

PART NUMBERING Model Number+Range

805-GGGG-XX

| | | | | Optional Stud Dash Number
| | | | | Range (0050 is 50g)

Dash Number
-01

Stud Options
M3 x 0.5 6g

Example: 805-0050
Model 805, 50g

NORTH AMERICA

Measurement Specialties, Inc.,
a TE Connectivity Company
1000 Lucas Way
Hampton, VA 23666
Sales and Customer Service
Tel: +1-800-745-8008 or
+1-757-766-1500
Fax: +1-757-766-4297
t&m@meas-spec.com

EUROPE

MEAS France SAS
a TE Connectivity Company
26 Rue des Dames
F78340 Les Clayes-sous-Bois
France
Sales and Customer Service
Tel: +33 (0) 1 79 33 00
Fax: +33(0)1 34 81 03 59
t&m@meas-spec.com

ASIA

Measurement Specialties (China), Ltd.,
a TE Connectivity Company
No. 26 Langshan Road
Shenzhen High-Tech Park (North)
Nanshan District, Shenzhen 518057
China
Sales and Customer Service
Tel: +86 755 3330 5088
Fax: +86 755 3330 5099
t&m@meas-spec.com

TE.com/sensorsolutions

Measurement Specialties, Inc., a TE Connectivity company.

Measurement Specialties, TE Connectivity, TE Connectivity (logo) and EVERY CONNECTION COUNTS are trademarks. All other logos, products and/or company names referred to herein might be trademarks of their respective owners.

The information given herein, including drawings, illustrations and schematics which are intended for illustration purposes only, is believed to be reliable. However, TE Connectivity makes no warranties as to its accuracy or completeness and disclaims any liability in connection with its use. TE Connectivity's obligations shall only be as set forth in TE Connectivity's Standard Terms and Conditions of Sale for this product and in no case will TE Connectivity be liable for any incidental, indirect or consequential damages arising out of the sale, resale, use or misuse of the product. Users of TE Connectivity products should make their own evaluation to determine the suitability of each such product for the specific application.

© 2015 TE Connectivity Ltd. family of companies All Rights Reserved.