



Chipsmall Limited consists of a professional team with an average of over 10 year of expertise in the distribution of electronic components. Based in Hongkong, we have already established firm and mutual-benefit business relationships with customers from,Europe,America and south Asia,supplying obsolete and hard-to-find components to meet their specific needs.

With the principle of “Quality Parts,Customers Priority,Honest Operation,and Considerate Service”,our business mainly focus on the distribution of electronic components. Line cards we deal with include Microchip,ALPS,ROHM,Xilinx,Pulse,ON,Everlight and Freescale. Main products comprise IC,Modules,Potentiometer,IC Socket,Relay,Connector.Our parts cover such applications as commercial,industrial, and automotives areas.

We are looking forward to setting up business relationship with you and hope to provide you with the best service and solution. Let us make a better world for our industry!



## Contact us

Tel: +86-755-8981 8866 Fax: +86-755-8427 6832

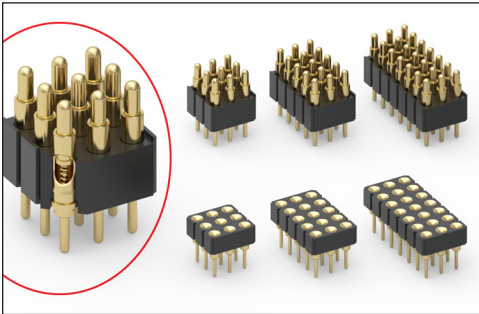
Email & Skype: info@chipsmall.com Web: www.chipsmall.com

Address: A1208, Overseas Decoration Building, #122 Zhenhua RD., Futian, Shenzhen, China



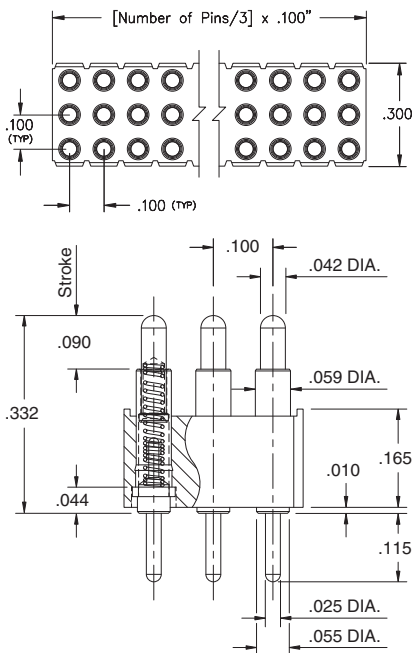
# SPRING-LOADED CONNECTORS

## SERIES 804 & 805 • .100" GRID THROUGH-HOLE MOUNT • LONG STROKE TRIPLE ROW STRIPS AND MATING TARGET CONNECTORS

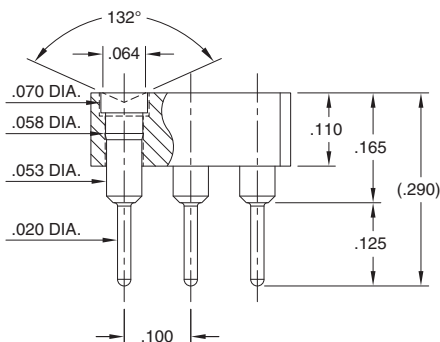


- Modular contacts for use on .100" grid, supplied in triple row contact strips
- Precision-machined piston / base and gold-plated components assure a 1,000,000 cycle life durability
- Spring pins have a .045" mid. stroke and a .090" max. stroke
- Low resistance, high current contacts are rated at 2 amps continuous, 3 amps peak
- 804 & 805 series High temperature thermoplastic insulators are suitable for wave and reflow processes
- 804 series contact strips are designed for manual placement into  $\varnothing .030 \pm .003$ " plated through-holes in the circuit board prior to hand, wave or reflow soldering
- 805 series Target Connectors provide an excellent gold-plated conductive mating surface for spring loaded connectors. This series is offered with a concave face for making contact with our standard .042" dia. spring pin plungers

### TRIPLE ROW Series 804



### TRIPLE ROW Series 805



## ORDERING INFORMATION

### Triple Row Series 804

804-22-0XX-10-004101

Specify number of contacts 09-96

### Triple Row Mating Target Series 805

805-10-0XX-00-006000

Specify number of contacts 09-96

### Technical Specifications for 804 Series

#### Materials:

Contact piston & base: Machined copper alloy plated 20 $\mu$ " gold over 100 $\mu$ " nickel

Spring: Beryllium copper-plated 10 $\mu$ " gold

Insulator: High temperature thermoplastic, rated UL94 V-0

#### Mechanical:

Spring force @ initial height: 25 grams

Spring force @ mid stroke (.045"): 60 grams

Durability: 1,000,000 cycles

#### Electrical:

Voltage rating: 100Vrms/150Vdc

Current rating: 2A (continuous), 3A (peak) per contact

Contact resistance: 20m $\Omega$  max.

Insulation resistance: 10,000M $\Omega$  min.

Dielectric strength: 700Vrms min.

Capacitance: 1pF max.

RoHS-2  
2011/65/EU

