



Chipsmall Limited consists of a professional team with an average of over 10 year of expertise in the distribution of electronic components. Based in Hongkong, we have already established firm and mutual-benefit business relationships with customers from,Europe,America and south Asia,supplying obsolete and hard-to-find components to meet their specific needs.

With the principle of "Quality Parts,Customers Priority,Honest Operation,and Considerate Service",our business mainly focus on the distribution of electronic components. Line cards we deal with include Microchip,ALPS,ROHM,Xilinx,Pulse,ON,Everlight and Freescale. Main products comprise IC,Modules,Potentiometer,IC Socket,Relay,Connector.Our parts cover such applications as commercial,industrial, and automotives areas.

We are looking forward to setting up business relationship with you and hope to provide you with the best service and solution. Let us make a better world for our industry!



Contact us

Tel: +86-755-8981 8866 Fax: +86-755-8427 6832

Email & Skype: info@chipsmall.com Web: www.chipsmall.com

Address: A1208, Overseas Decoration Building, #122 Zhenhua RD., Futian, Shenzhen, China



4

3

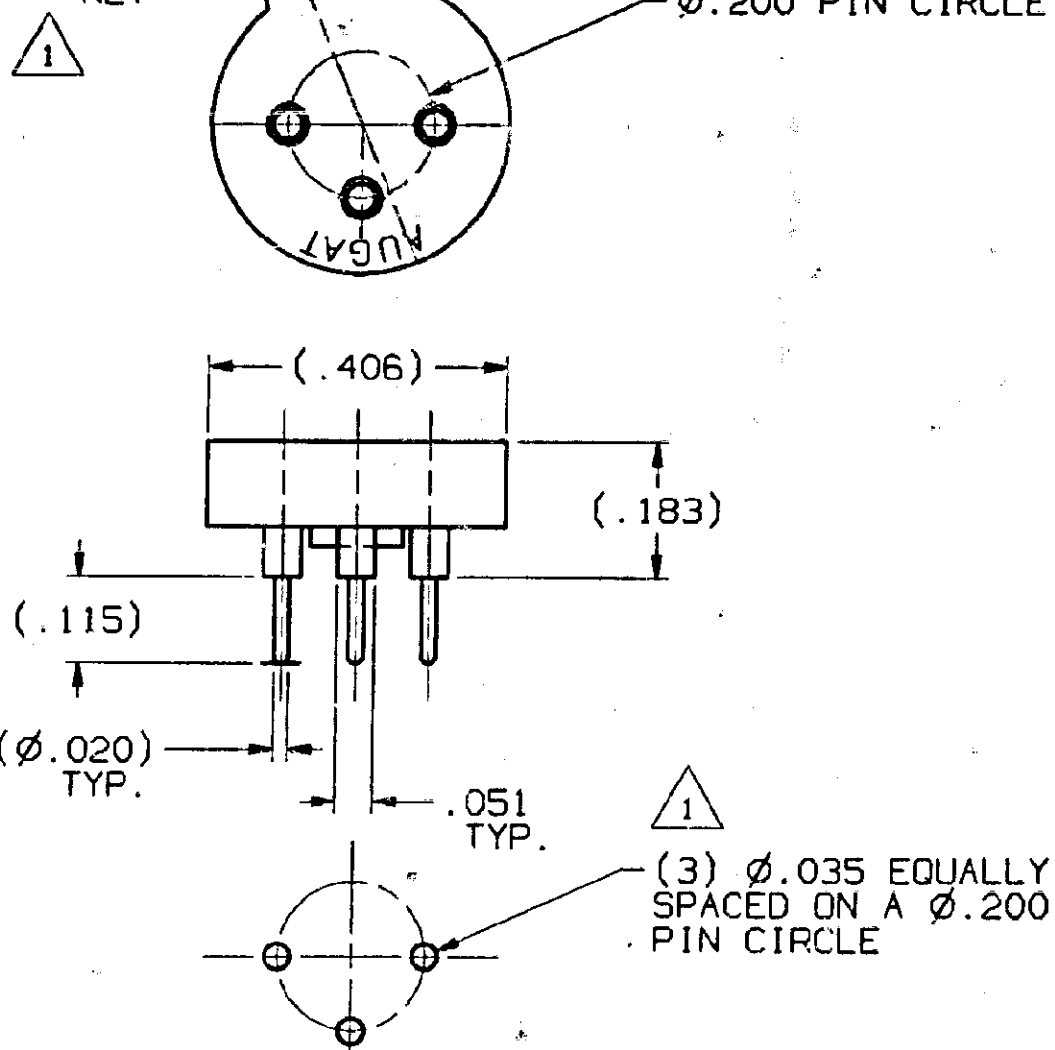
2

1

CONVERSION CHART

INCH	MM
.002	0.05
.010	0.25
.020	0.51
.035	0.88
.051	1.30
.115	2.92
.185	4.70
.200	5.08
.406	10.31

POLARIZATION KEY



SPECIFICATIONS:

MATERIALS:
 INSULATOR: POLYAMIDE (COLOR: RED)
 SLEEVE: COPPER ALLOY, GOLD OVER NICKEL PLATE.
 CONTACT: COPPER ALLOY, GOLD OVER NICKEL PLATE.

ELECTRICAL:
 CONTACT RESISTANCE: 20 MILLIOHMS MAX.
 CONTACT RATING: 3 AMPS.
 DIELECTRIC WITHSTANDING VOLTAGE: 600 VOLTS.

MECHANICAL:
 OPERATIONAL TEMPERATURE: -67°F TO $+257^{\circ}\text{F}$
 (-55°C TO $+125^{\circ}\text{C}$)
 WITHDRAWAL FORCE: 14.1g MIN.

NOTES:

1. INTERPRET DRAWING PER ASME Y14.5M-1994.
2. ASSEMBLY WILL ACCEPT $\phi .016 / .020$ LEADS.

OUTLINE DRAWING
 SPECIFICATIONS ARE SUBJECT TO CHANGES WITHOUT NOTICE

THIS IS A C.A.D. GENERATED DRAWING.
 DO NOT MAKE MANUAL REVISIONS TO MASTER.

REV	0	1
REVISIONS	INITIAL RELEASE ESR # AG572 K.W. 6/9/95 APP'D: RJS 8/24/95	REVISED ECO# 23-97 L.S. 2-20-97 APP'D: RJS 2/20/97

THIRD ANGLE PROJECTION		UNLESS OTHERWISE SPECIFIED DIMENSIONS ARE IN INCHES DO NOT SCALE PRINT		ORIGINAL DATE OF DRAWING: 8/9/95	 452 JOHN DIETSCH BLVD. ATTLEBORO FALLS, MASS. 02763 INC.
TOLERANCES (EXCEPT AS NOTED) ANGULAR = $\pm 1^{\circ}$ DECIMAL .XX = $\pm .005$ DECIMAL .XXX = $\pm .010$ DECIMAL .XXXX = $\pm .015$		FILE NAME: 80592G1L	DIRECTORY: ASSY/8000ASSY	DRAWN: K. WIKSTROM	
AUGAT CONFIDENTIAL This document contains information which is the exclusive property of Augat Inc. Distribution, reproduction or use by others is not permitted without the expressed written consent of Augat Inc.		SEE SPECIFICATIONS		CHECKED:	DATE:
FINISH: SEE SPECIFICATIONS		SEE SPECIFICATIONS		APPROVED: R.J.S.	DATE: 8/24/95
		NEXT ASSY:		CODE IDENT. NO. 91506	DWG. SIZE B
				PRODUCT CODE: 022	REV. 1