



Chipsmall Limited consists of a professional team with an average of over 10 year of expertise in the distribution of electronic components. Based in Hongkong, we have already established firm and mutual-benefit business relationships with customers from,Europe,America and south Asia,supplying obsolete and hard-to-find components to meet their specific needs.

With the principle of “Quality Parts,Customers Priority,Honest Operation,and Considerate Service”,our business mainly focus on the distribution of electronic components. Line cards we deal with include Microchip,ALPS,ROHM,Xilinx,Pulse,ON,Everlight and Freescale. Main products comprise IC,Modules,Potentiometer,IC Socket,Relay,Connector.Our parts cover such applications as commercial,industrial, and automotives areas.

We are looking forward to setting up business relationship with you and hope to provide you with the best service and solution. Let us make a better world for our industry!



Contact us

Tel: +86-755-8981 8866 Fax: +86-755-8427 6832

Email & Skype: info@chipsmall.com Web: www.chipsmall.com

Address: A1208, Overseas Decoration Building, #122 Zhenhua RD., Futian, Shenzhen, China



4

3

2

1

D

D

C

C

B

B

A

A

800 SERIES

8 XX

POSITIONS

- 08
- 14
- 16
- 18
- 20
- 22
- 24 (.600 t)
- 28
- 32
- 36
- 40
- 42
- 48
- 64

24 (.300 t)

24 (.400 t)

AX

AG = INSULATOR W/OUT RAILS

AR = Insulator with Rails

XXX

X

ESX

ES CONTACT - 30 MICRO GOLD 4 BEAM STAMPED

ESL CONTACT - 10 MICRO GOLD 4 BEAM STAMPED

SM= SURFACE MOUNT

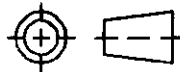
LSG STYLE & TAIL CONFIGURATION

10 = gold/gold

11 = gold/tin-lead

12 = tin-lead/tin-lead

1 OBSOLETE PARTS: OBSOLETE CIS STREAMLINING PER D.RENAUD/D.SINISI
 1437538-9,2-1437537-8,4-1437537-5,4-1437537-9,7-1437537-1
 8-1437537-4

REV O	REVISIONS OG3C-0413-02 KW / 25FEB03	O1 ECO-09-026495 HMR / 08FEB10	 THIRD ANGLE PROJECTION	UNLESS OTHERWISE SPECIFIED DIMENSIONS ARE IN INCHES DO NOT SCALE PRINT		ORIGINAL DATE OF DRAWING: 8-31-87		TYCO ELECTRONICS			
				FILE NAME: BSMSERS1	DIRECTORY: PNCODEAS	DRAWN: J.P.PACHECO	DATE: 8-31-87	TITLE: ASSEMBLY, SOCKET SURFACE MOUNT			
				MATERIAL: NONE		CHECKED:	DATE:	DWG. NO. 8-1437533-1		REV. 01	
				FINISH: NONE		APPROVED: A.J.C.	DATE: 6-2-92	PRODUCT CODE: 25/157		SCALE: NONE SHEET 1 OF 3	
				CODE IDENT. NO. 91506	DWG. SIZE B						
				NEXT ASSY:							

4

3

2

1

(AG) INSULATORS (NO RAILS)

SEE SHEET #6

POS.	INSULATOR ITEM 1	QTY.	FIGURE	DIM. "A"	DIM. "B"	DIM. "C"	TUBE #	TUBE QTY.	QTY OF	
									CONTACT ASS'Y	.125 P.C. TAIL PAGE 6 ITEM 2
8		1	1	.400 MAX	.400 MAX	.295/.305				
14		1	2	.700 MAX	.400 MAX	.295/.305				
16		1	2	.800 MAX	.400 MAX	.295/.305				
18		1	2	.900 MAX	.400 MAX	.295/.305				
20		1	2	1.000 MAX	.400 MAX	.295/.305				
22		1	2	1.100 MAX	.500 MAX	.395/.405				
24		1	2	1.200 MAX	.700 MAX	.595/.605				
24		1	2	1.200 MAX	.500 MAX	.395/.405				
24		1	2	1.200 MAX	.400 MAX	.295/.305				
28		1	3	1.400 MAX	.700 MAX	.595/.605				
32		1	3	1.600 MAX	.700 MAX	.595/.605				
36		1	3	1.800 MAX	.700 MAX	.595/.605				
40		1	3	2.000 MAX	.700 MAX	.595/.605				
42		1	3	2.100 MAX	.700 MAX	.595/.605				
48		1	3	2.400 MAX	.700 MAX	.595/.605				
64		1	3	3.200 MAX	1.000 MAX	.895/.905				

D

D

C

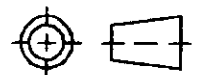
C

B

B

A

A

REV	SEE SHEET #1	 THIRD ANGLE PROJECTION	UNLESS OTHERWISE SPECIFIED DIMENSIONS ARE IN INCHES DO NOT SCALE PRINT		ORIGINAL DATE OF DRAWING: 8-31-87		TYCO ELECTRONICS		
			TOLERANCES (EXCEPT AS NOTED) ANGULAR = ±1/2° DECIMAL .XX = ±.01 DECIMAL .XXX = ±.002 DECIMAL .XXXX = ±.0005	FILE NAME: 8SMSERS5	DIRECTORY: PNCODEAS	DRAWN: J.P.PACHECO			DATE: 8-31-87
			FINISH: NONE	MATERIAL: NONE		CHECKED:	DATE:	DWG. NO. 8-1437533-1	REV. 01
				APPROVED: A.J.C.		DATE: 6-2-92	CODE IDENT. NO. 91506	DWG. SIZE B	PRODUCT CODE: 25/157

4

3

2

CUSTOMER 1

4

3

2

1

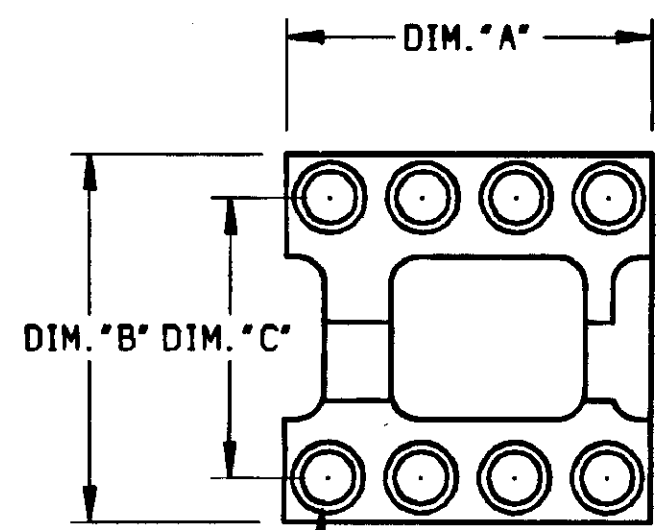


FIG. 1

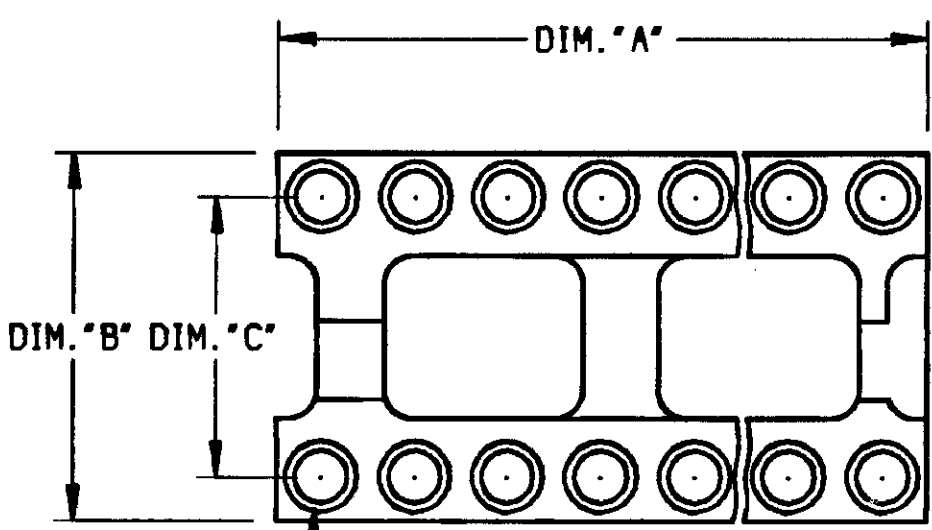


FIG. 2

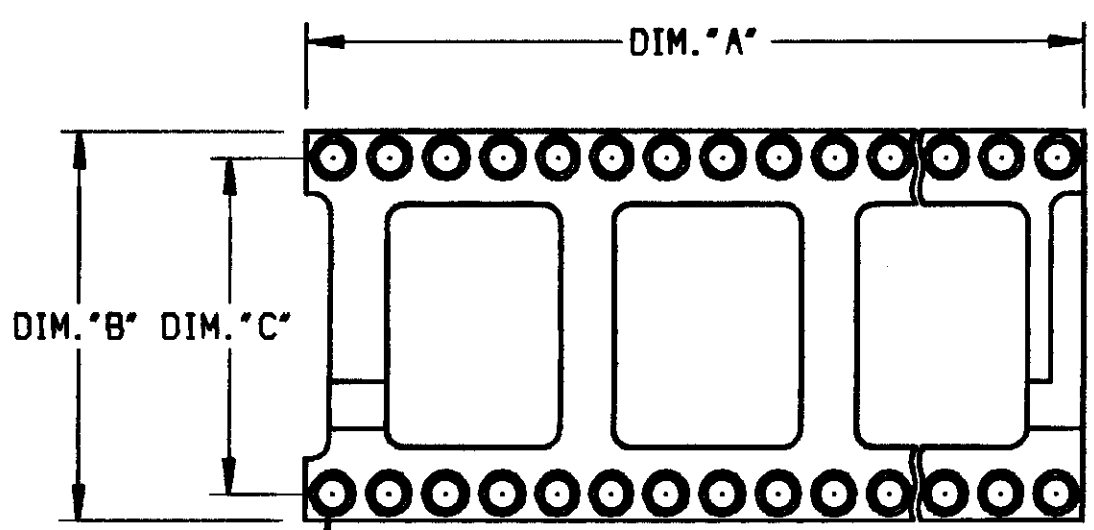
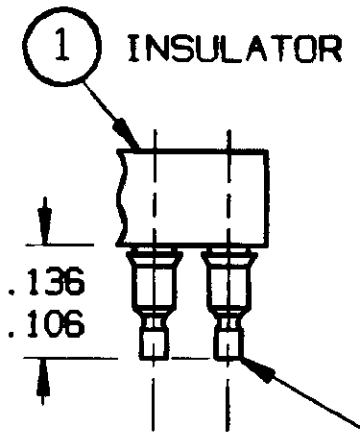


FIG. 3



1 INSULATOR

2 CONTACT ASS'Y

"X" SURFACES =
QTY. OF CONTACT ASS'Y.
VIEW D-D

ITEMS:

MATERIAL & FINISH:

- 1. INSULATOR - THERMOPLASTIC POLYESTER (BLACK) P E T
RATED 94V-0. (SEE FIGURE COLUMN ABOVE).

REV	SEE SHEET #1	<p>THIRD ANGLE PROJECTION</p>	UNLESS OTHERWISE SPECIFIED DIMENSIONS ARE IN INCHES DO NOT SCALE PRINT		ORIGINAL DATE OF DRAWING: 8-31-87		TYCO ELECTRONICS		
			TOLERANCES (EXCEPT AS NOTED) ANGULAR = ±1/2° DECIMAL .XX = ±.01 DECIMAL .XXX = ±.002 DECIMAL .XXXX = ±.0005	FILE NAME: 8SMRSR66	DIRECTORY: PNCODEAS	DRAWN: J.P. PACHECO			DATE: 8-31-87
			FINISH: NONE	MATERIAL: NONE		CHECKED:	DATE:	DWG. NO. 8-1437533-1	REV. 01
				APPROVED: A.J.C.		DATE: 6-2-92	CODE IDENT. NO. 91506	DWG. SIZE B	PRODUCT CODE: 25/157
REVISIONS					NEXT ASSY:	CUSTOMER 1			