



Chipsmall Limited consists of a professional team with an average of over 10 year of expertise in the distribution of electronic components. Based in Hongkong, we have already established firm and mutual-benefit business relationships with customers from,Europe,America and south Asia,supplying obsolete and hard-to-find components to meet their specific needs.

With the principle of “Quality Parts,Customers Priority,Honest Operation,and Considerate Service”,our business mainly focus on the distribution of electronic components. Line cards we deal with include Microchip,ALPS,ROHM,Xilinx,Pulse,ON,Everlight and Freescale. Main products comprise IC,Modules,Potentiometer,IC Socket,Relay,Connector.Our parts cover such applications as commercial,industrial, and automotives areas.

We are looking forward to setting up business relationship with you and hope to provide you with the best service and solution. Let us make a better world for our industry!



Contact us

Tel: +86-755-8981 8866 Fax: +86-755-8427 6832

Email & Skype: info@chipsmall.com Web: www.chipsmall.com

Address: A1208, Overseas Decoration Building, #122 Zhenhua RD., Futian, Shenzhen, China





MEDS150 Servo Motor

SKU:80802 Weight:90.00 Gram



Mechanical Specification

Size	40×20×41mm
Weight	75g
Gear type	5 metal gear
Limit angle	210°±5°
Bearing	2*Bearing
Horn gear spline	Φ8mm35T
Horn type	Plastic, POM
Case	Aluminum alloy+Engineering plastics
Connector wire	230mm±5mm
Motor	Coreless Motor
Splash water resistance	No

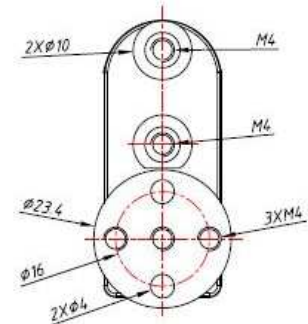
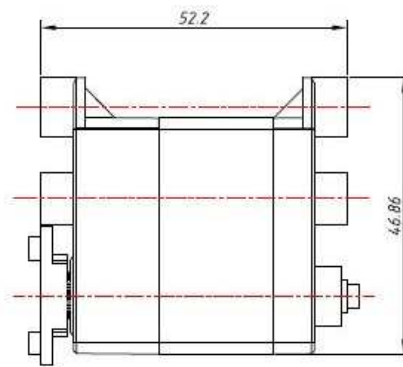
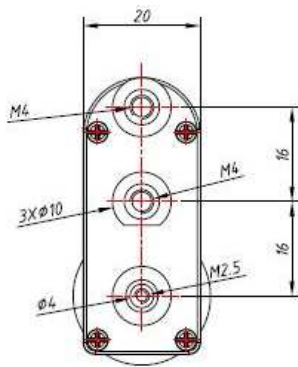
Electrical Specification

Operat voltage	6.0V
Idle current	8mA
No load speed	0.19sec/60°
Runnig current	450mA
Peak stall torque	16.5kg.cm
Stall current	2500mA

Control Specification

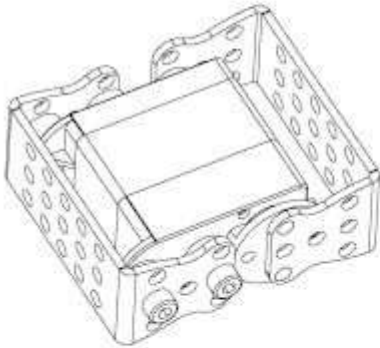
Command signal	Pulse width modification
Amplifier type	Digital controller
Pulse width range	500-2500usec
Neutral position	1500usec
Running degree	180°±3°(when 1000~2000usec)
Dead band width	5 usec
Rotating direction	Counterclockwise (when 1000~1500usec)

Size Charts(mm):

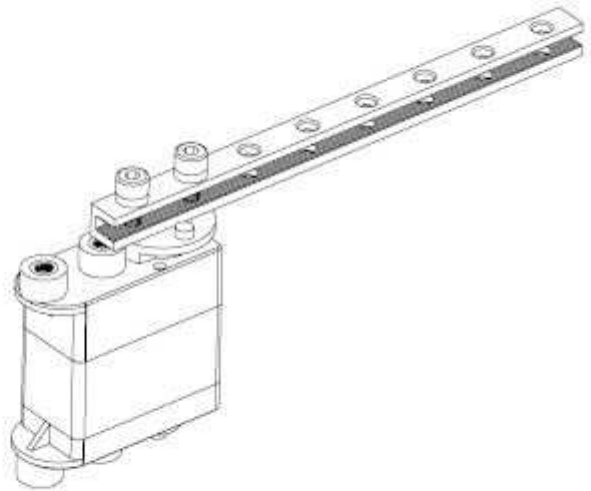


Demo:

1



2



Get the servo motor bracket as follow:

- MEDS15 Servo Motor Bracket-Blue(Pair)
- MEDS15 Servo Motor Bracket-Gold (Pair)