



Chipsmall Limited consists of a professional team with an average of over 10 year of expertise in the distribution of electronic components. Based in Hongkong, we have already established firm and mutual-benefit business relationships with customers from,Europe,America and south Asia,supplying obsolete and hard-to-find components to meet their specific needs.

With the principle of "Quality Parts,Customers Priority,Honest Operation,and Considerate Service",our business mainly focus on the distribution of electronic components. Line cards we deal with include Microchip,ALPS,ROHM,Xilinx,Pulse,ON,Everlight and Freescale. Main products comprise IC,Modules,Potentiometer,IC Socket,Relay,Connector.Our parts cover such applications as commercial,industrial, and automotives areas.

We are looking forward to setting up business relationship with you and hope to provide you with the best service and solution. Let us make a better world for our industry!



Contact us

Tel: +86-755-8981 8866 Fax: +86-755-8427 6832

Email & Skype: info@chipsmall.com Web: www.chipsmall.com

Address: A1208, Overseas Decoration Building, #122 Zhenhua RD., Futian, Shenzhen, China



2 Nm RE2 10 and 17 Watts 17 W Part number made to order



- Torque rating of gearboxes : 2 Nm, metal gears
- Motors : nominal power 9 W and 15 W
- Speed range : 1 to 40 rpm
- Cyclic operation only
- Replaceable brushes

Part numbers

	Type	Type	Voltage	Output speed (rpm)	Ratios (i)
80804010	17 W	808040	24 V	8	325

Specifications

General characteristics

Motor	828000
Gearbox	810440
Maximum permitted torque from gearmotor under continuous conditions for 1 million turns (Nm)	2
Axial load dynamic (daN)	2
Radial load dynamic (daN)	2
Max. output power (W)	17
Nominal output (W)	15,6
Gearbox case temperature rise (°C)	40
Weight (g)	670

Made to order products, available on request

Motors :

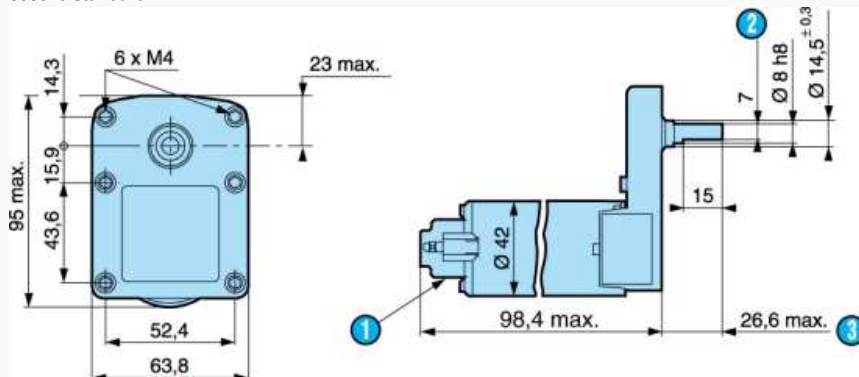
- Special interference suppression
- Other supply voltages
- Motor with 1 ball bearing
- Shaft lengths at front and/or rear
- 1 or 5 pulses/revolution magnetic encoder
- Other fixing flanges on front

Gearboxes :

- Special greasing
- Other reduction ratios

Dimensions (mm)

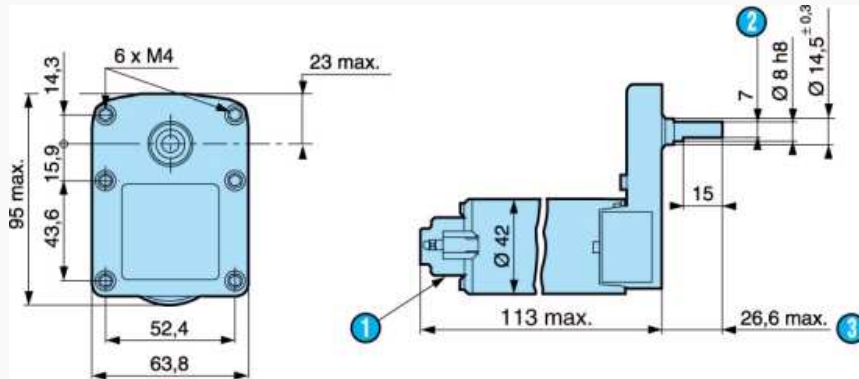
808040 standard



N°	Legend
①	2 tags IEC 760, series 4.8 x 0.5
②	7 across flats
③	Shaft pushed-in

Dimensions (mm)

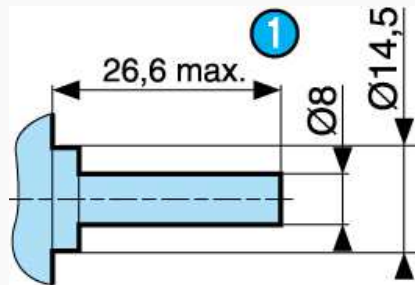
808040 encoder



N°	Legend
①	2 tags IEC 760, series 4.8 x 0.5
②	7 across flats
③	Shaft pushed-in

Dimensions (mm)

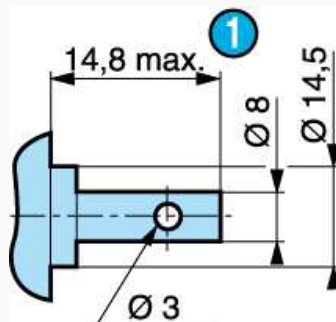
Shaft 79261300



N°	Legend
①	Shaft pushed-in

Dimensions (mm)

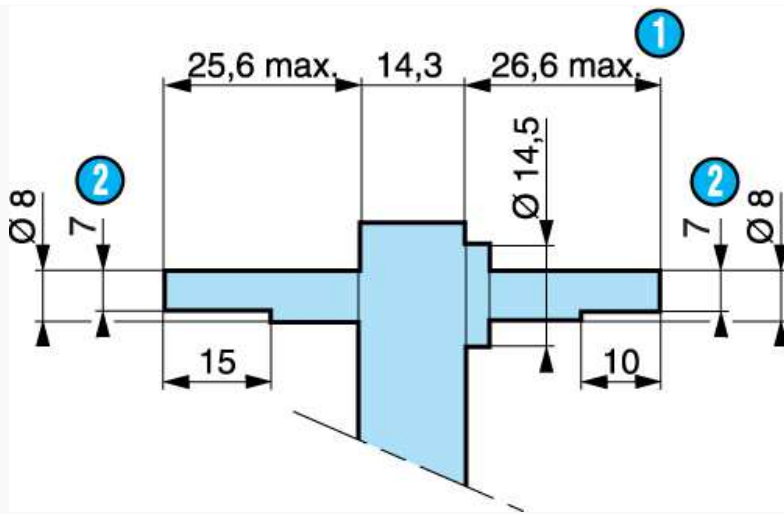
Shaft 79261309



N°	Legend
①	Shaft pushed-in

Dimensions (mm)

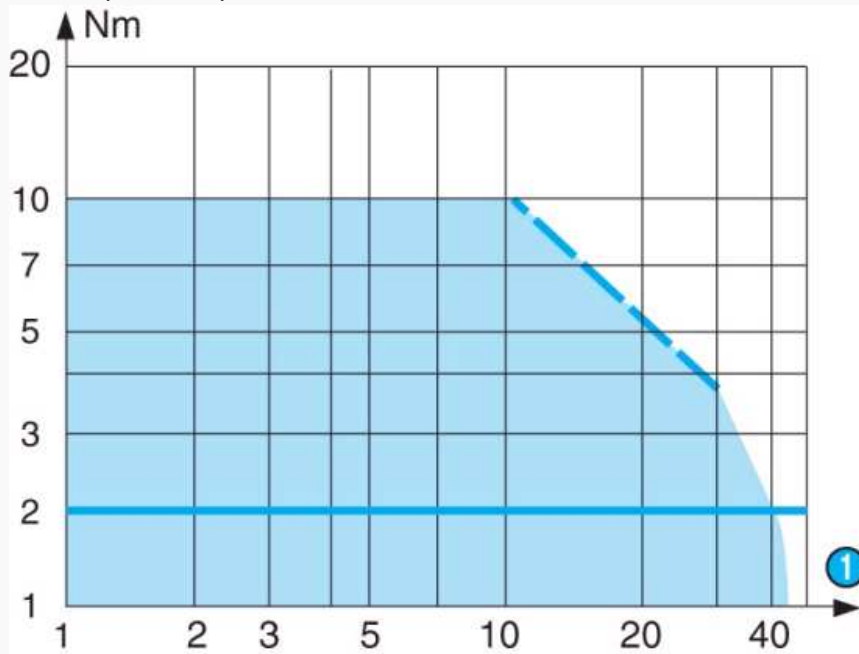
Shaft 79261314



N°	Legend
1	Shaft pushed-in
2	7 across flats

Curves

Curve : torque/nominal speed 808040



N°	Legend
1	rpm

Product adaptations



- Special supply voltage
- Optical or Hall effect encoder
- Special connections
- Special shaft
- Special reduction ratio
- Special materials for gears
- Special ball bearings
- Special adaptor plate