



Chipsmall Limited consists of a professional team with an average of over 10 year of expertise in the distribution of electronic components. Based in Hongkong, we have already established firm and mutual-benefit business relationships with customers from,Europe,America and south Asia,supplying obsolete and hard-to-find components to meet their specific needs.

With the principle of “Quality Parts,Customers Priority,Honest Operation,and Considerate Service”,our business mainly focus on the distribution of electronic components. Line cards we deal with include Microchip,ALPS,ROHM,Xilinx,Pulse,ON,Everlight and Freescale. Main products comprise IC,Modules,Potentiometer,IC Socket,Relay,Connector.Our parts cover such applications as commercial,industrial, and automotives areas.

We are looking forward to setting up business relationship with you and hope to provide you with the best service and solution. Let us make a better world for our industry!



Contact us

Tel: +86-755-8981 8866 Fax: +86-755-8427 6832

Email & Skype: info@chipsmall.com Web: www.chipsmall.com

Address: A1208, Overseas Decoration Building, #122 Zhenhua RD., Futian, Shenzhen, China



PART NAME: KNOB SCALE: 1:1 DATE: 7/27/04 DR. BY JAM

THIS DRAWING IS THE PROPERTY OF DAVIES MOLDING COMPANY, IS SUBMITTED SOLELY AS A DESIGN OR ENGINEERING PROJECT. WE ACCEPT NO RESPONSIBILITY WHATSOEVER FOR THE PRACTICAL APPLICATION OF THE PIECES MADE TO THIS DESIGN.

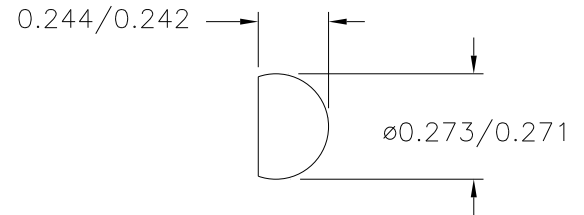
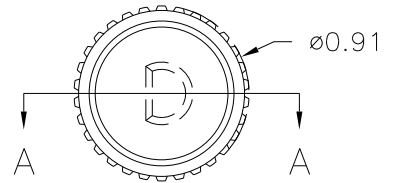


DESIGNERS & MANUFACTURERS OF KNOBS, HANDLES, CASES & CUSTOM PLASTIC COMPONENTS

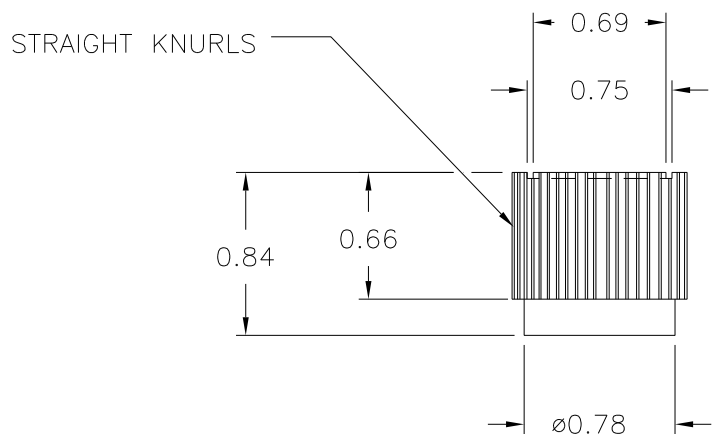
P/N	8090-N
M NO.	# 6
CAVITY	8090
CAV. PLUG	8090
CORE	8090
CORE PLUG	8090
SLEEVE	8090
PIN	BP8090-N
SPRING	I2265

NOTES:

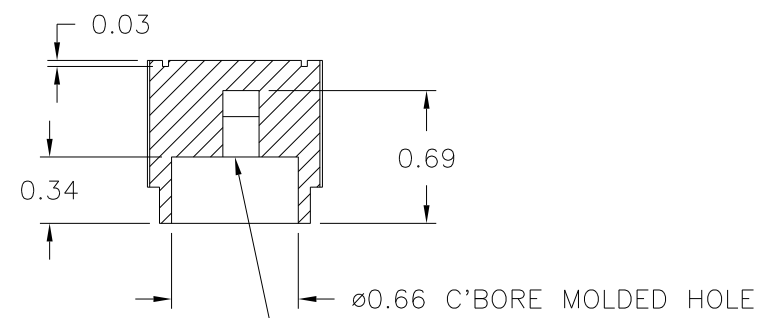
MOLDED HOLE MUST BE CHECKED WITH PROPER GAUGE FOR PROPER MOLDED HOLE CONDITIONS



MOLDED HOLE DETAIL
SCALE 2 : 1



SECTION A-A



SPRING I2265 TO ACCOMODATE A 0.250 SHAFT FLATTED TO 0.218

Ⓑ SPRING TO BE INSTALLED AT THE PRESS

Ⓒ MATERIAL: NYLON 6/6 (ZY2), (ZY6) OR ENGINEERING APPROVED EQUIVALENT
COLOR: BLACK

TOLERANCES: UNLESS OTHERWISE SPECIFIED	DO NOT SCALE DRAWING			
DECIMALS: X.XXX ± .005 X.XX ± .015	MM: X.XX ± 0.15MM X.X ± 0.4MM	C	WAS CLC, ADDED ZY6	JAM 6/25/12
		B	ADDED SPRING INSTALL NOTE	DS 9/19/06
		A	NYLON 6/6 (CLC) WAS ABS	DS 5/3/06
FRACTIONS ± 1/64	ANG. ± 1°	CHANGES		