



Chipsmall Limited consists of a professional team with an average of over 10 year of expertise in the distribution of electronic components. Based in Hongkong, we have already established firm and mutual-benefit business relationships with customers from,Europe,America and south Asia,supplying obsolete and hard-to-find components to meet their specific needs.

With the principle of “Quality Parts,Customers Priority,Honest Operation,and Considerate Service”,our business mainly focus on the distribution of electronic components. Line cards we deal with include Microchip,ALPS,ROHM,Xilinx,Pulse,ON,Everlight and Freescale. Main products comprise IC,Modules,Potentiometer,IC Socket,Relay,Connector.Our parts cover such applications as commercial,industrial, and automotives areas.

We are looking forward to setting up business relationship with you and hope to provide you with the best service and solution. Let us make a better world for our industry!



Contact us

Tel: +86-755-8981 8866 Fax: +86-755-8427 6832

Email & Skype: info@chipsmall.com Web: www.chipsmall.com

Address: A1208, Overseas Decoration Building, #122 Zhenhua RD., Futian, Shenzhen, China





TYT SERIES

HIGH PERFORMANCE 3-PHASE, 4-WIRE FILTERS

COMPONENTS

PART NO.	Cx(μF)	Cx1(μF)	Cy(nF)	L(mH)	R(KΩ)	R1(KΩ)
16TYT8	0.68	1.0	15.0	1.2	220	-
25TYT8	2.0	2.0		1.3	100	
36TYT8				0.95		
50TYT8				0.55		
100TYT8	2.0	2.0		47.0	0.32	
150TYS10	6.6	6.6	470	0.11	680	

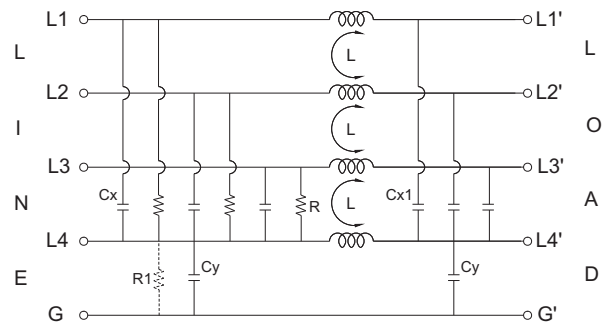
INTRODUCTIONS

1. Applications: Electric equipment, UPS, machine tool, copy machine, automation equipment, robot, AC motor drive
2. Voltage rating: 480VAC
3. Operating frequency: 50/60Hz

MINIMUM INSERTION LOSS IN dB

COMMON MODE (L-G) IN 50 OHM SYSTEM							
PART NO.	FREQUENCY-MHz						
	.15	.50	1.0	5.0	10	30	
16TYT8	25	50	50	50	45	30	
25TYT8	25	50	50	50	45	30	
36TYT8	25	50	50	50	40	25	
50TYT8	25	45	45	40	40	25	
100TYT8	10	20	25	30	30	20	
150TYS10	10	20	25	30	30	20	
DIFFERENTIAL MODE (L-L) IN 50 OHM SYSTEM							
16TYT8	35	55	60	60	40	30	
25TYT8	35	55	60	60	40	30	
36TYT8	30	50	55	50	40	30	
50TYT8	30	50	50	40	40	30	
100TYT8	30	40	40	35	35	25	
150TYS10	30	40	40	35	35	35	

ELECTRICAL SCHEMATIC



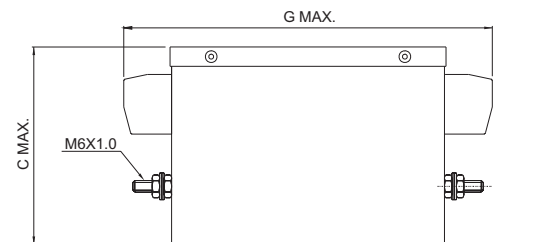
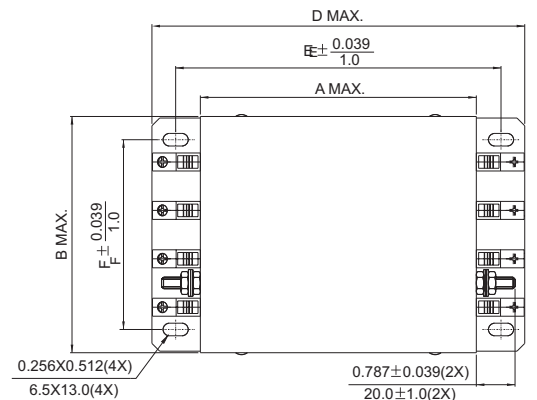
R1 : 680KΩ , FOR 150TYS10 ONLY

SERIES DIMENSIONS

PART NO.	DIMENSIONS IN INCHES/mm						
	A	B	C	D	E	F	G
16TYT8	5.591 142.0	4.213 107.0	3.228 82.0	7.539 191.5	6.516 165.5	196.9 50.0	7.559 192.0
25TYT8							
36TYT8							
50TYT8	5.689 144.5	4.882 124.0	4.094 104.0	7.638 194.0	6.614 168.0	3.858 98.0	7.638 194.0
100TYT8	8.346	6.378	5.197	9.921	9.134	4.724	11.496
*150TYS10	212.0	62.0	132.0	252.0	232.0	120.0	292.0

*Screw type

MECHANICAL CONSTRUCTION



UNIT: INCH
mm



TYT SERIES

HIGH PERFORMANCE 3-PHASE 4-WIRE FILTERS



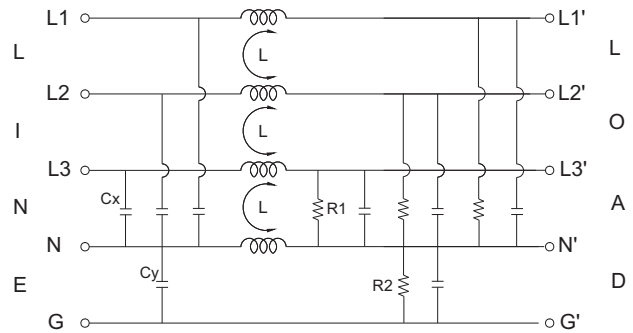
INTRODUCTIONS

1. Applications: Electric equipment, UPS, machine tool, copy machine, automation equipment, robot, AC motor drive
2. Voltage rating: 520VAC
3. Operating frequency: 50/60Hz

COMPONENTS

PARTNO.	L(mH)	Cx(uF)	Cy(uF)	R1 (Ω)	R2 (KΩ)
08TYT8-1	2.4	2.2	0.1	1.5M	680
16TYT8-1	1.7				
25TYT8-1	1.6	4.7	0.147	330K	680
36TYT8-1	1.0				
64TYT8-1	0.7	9.4	0.147	330K	680
80TYT8-1	0.55				
120TYT8-1	0.55	13.6	0.147	330K	680
160TYT8-1	0.5				

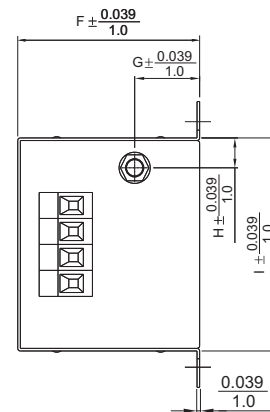
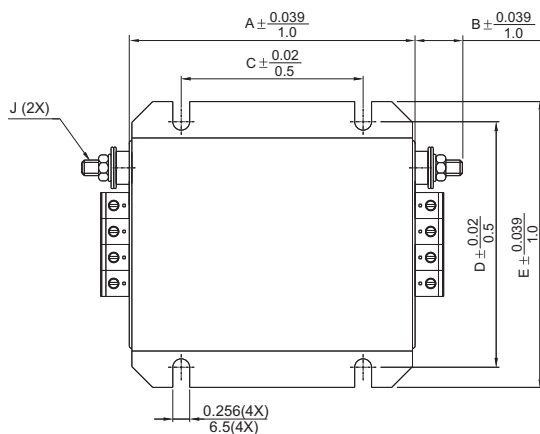
ELECTRICAL SCHEMATIC



SERIES DIMENSIONS

PART NO.	DIMENSIONS IN INCHES/mm									
	A	B	C	D	E	F	G	H	I	J
08TYT8-1	4.33	0.45	3.15	3.72	4.33	2.76	0.98 25.0	0.47	3.23	M6
16TYT8-1	110.0	11.5	80.0	94.5	110.0	70.0		12.0	82.0	M10
25TYT8-1	5.12	0.96	3.54	4.02	4.65	3.35	0.55	3.54		
36TYT8-1	130.0	24.5	90.0	102.0	118.0	85.0	14.0	90.0		
64TYT8-1	5.51	1.52	3.94	5.02	5.63	4.53	1.57	4.53		
80TYT8-1	6.69	1.69	4.72	5.81	6.42	4.92	1.38	5.31		
120TYT8-1	8.27	43.0	6.3	6.04	6.69	125.0	1.73	0.69	5.51	
160TYT8-1	7.87	1.95	5.91	6.81	7.48	5.12	2.17	0.65	6.3	
	200.0	49.5	150.0	173.0	190.0	130.0	55.0	16.5	160.0	

MECHANICAL CONSTRUCTION





TYT SERIES

HIGH PERFORMANCE 2-STAGE 3-PHASE 4-WIRE FILTERS



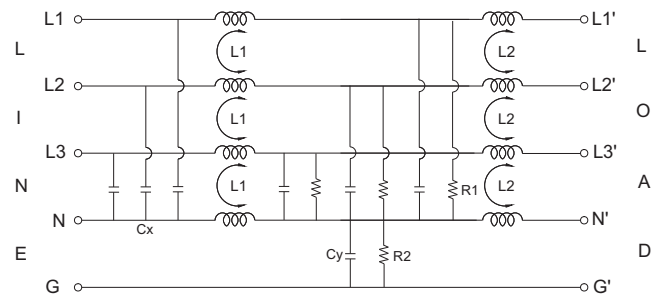
INTRODUCTIONS

1. Applications: Electric equipment, UPS, machine tool, copy machine, automation equipment, robot, AC motor drive
2. Voltage rating: 520VAC
3. Operating frequency: 50/60Hz

COMPONENTS

PARTNO.	L1(mH)	L2(uH)	Cx(uF)	Cy(uF)	R1(M Ω)	R2(KΩ)
08TYT8-2	2.4	7.0	3.3	3.4	1.5	660.0
16TYT8-2	1.7					
25TYT8-2	1.6	6.0	4.7			
36TYT8-2	1.0					
64TYT8-2	0.7	7.0	9.4			
80TYT8-2	0.55					
120TYT8-2	0.55	6.0	13.6			
160TYT8-2	0.5					

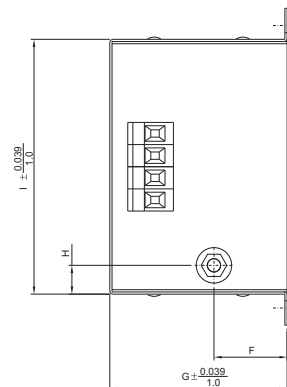
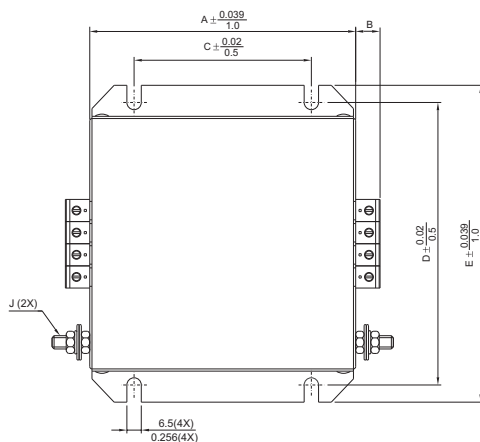
ELECTRICAL SCHEMATIC



SERIES DIMENSIONS

PART NO.	DIMENSIONS IN INCHES/mm										
	A	B	C	D	E	F	G	H	I	J	
08TYT8-2	4.72	0.45	3.15	5.02	5.63	1.3	3.15	0.51 13.0	4.53	M6	
16TYT8-2	120.0	11.5	80.0	127.5	143.0	33.0	80.0		115.0		
25TYT8-2	5.12	0.98	3.54	5.41 137.5	6.02 153.0	1.97	4.53	4.92 125.0			
36TYT8-2	130.0	25.0	90.0			50.0	115.0				
64TYT8-2	6.3	1.54	3.94	5.81 147.5	6.42 163.0	2.17	4.92 125.0	0.77	M10		
80TYT8-2	9.06	1.73	4.72			1.77		45.0			19.5
120TYT8-2	9.84	44.0	7.87	6.04 153.5	6.69 170.0	2.17	5.51	0.75 19.0			5.51 140.0
160TYT8-2	11.02	2.0	9.06			1.97	50.0				
	280.0	50.7	230.0								

MECHANICAL CONSTRUCTION



UNIT: INCH
mm

THREE-PHASE FILTERS