



Chipsmall Limited consists of a professional team with an average of over 10 year of expertise in the distribution of electronic components. Based in Hongkong, we have already established firm and mutual-benefit business relationships with customers from,Europe,America and south Asia,supplying obsolete and hard-to-find components to meet their specific needs.

With the principle of "Quality Parts,Customers Priority,Honest Operation,and Considerate Service",our business mainly focus on the distribution of electronic components. Line cards we deal with include Microchip,ALPS,ROHM,Xilinx,Pulse,ON,Everlight and Freescale. Main products comprise IC,Modules,Potentiometer,IC Socket,Relay,Connector.Our parts cover such applications as commercial,industrial, and automotives areas.

We are looking forward to setting up business relationship with you and hope to provide you with the best service and solution. Let us make a better world for our industry!



Contact us

Tel: +86-755-8981 8866 Fax: +86-755-8427 6832

Email & Skype: info@chipsmall.com Web: www.chipsmall.com

Address: A1208, Overseas Decoration Building, #122 Zhenhua RD., Futian, Shenzhen, China



VXG SERIES

105°C 5000 hours

*Load Life : 105°C 5000 hours.



◆SPECIFICATIONS

Items	Characteristics																									
Category Temperature Range	-40~+105°C	-25~+105°C																								
Rated Voltage Range	10~100Vdc	200~500Vdc																								
Capacitance Tolerance	±20% (20°C, 120Hz)																									
Leakage Current(MAX)	$I=3\sqrt{CV}$ (After 5 minutes application of rated voltage) I=Leakage Current(µA) C=Capacitance(µF) V=Rated Voltage(Vdc)																									
Dissipation Factor(MAX) (tanδ)	<table border="1"> <tr> <td>Rated Voltage (Vdc)</td> <td>10</td> <td>16</td> <td>25</td> <td>35</td> <td>50</td> <td>63</td> <td>80</td> <td>100</td> <td>200~250</td> <td>400~450</td> <td>475~500</td> </tr> <tr> <td>tanδ</td> <td>0.55</td> <td>0.50</td> <td>0.45</td> <td>0.40</td> <td>0.35</td> <td>0.30</td> <td>0.25</td> <td>0.20</td> <td>0.20</td> <td>0.20</td> <td>0.25</td> </tr> </table> (20°C, 120Hz)		Rated Voltage (Vdc)	10	16	25	35	50	63	80	100	200~250	400~450	475~500	tanδ	0.55	0.50	0.45	0.40	0.35	0.30	0.25	0.20	0.20	0.20	0.25
Rated Voltage (Vdc)	10	16	25	35	50	63	80	100	200~250	400~450	475~500															
tanδ	0.55	0.50	0.45	0.40	0.35	0.30	0.25	0.20	0.20	0.20	0.25															
Endurance	After applying rated voltage with rated ripple current for 5000 hours at 105°C, the capacitors shall meet the following requirements. <table border="1"> <tr> <td>Capacitance Change</td> <td>Within ±20%(For 10WV ; ±25%)of the initial value.</td> </tr> <tr> <td>Dissipation Factor</td> <td>Not more than 200% of the specified value.</td> </tr> <tr> <td>Leakage Current</td> <td>Not more than the specified value.</td> </tr> </table>		Capacitance Change	Within ±20%(For 10WV ; ±25%)of the initial value.	Dissipation Factor	Not more than 200% of the specified value.	Leakage Current	Not more than the specified value.																		
Capacitance Change	Within ±20%(For 10WV ; ±25%)of the initial value.																									
Dissipation Factor	Not more than 200% of the specified value.																									
Leakage Current	Not more than the specified value.																									
Low Temperature Stability Impedance Ratio(MAX)	<table border="1"> <tr> <td>Rated Voltage (Vdc)</td> <td>10~100</td> <td>200~250</td> <td>400~450</td> <td>475~500</td> </tr> <tr> <td>Z(-25°C)/Z(20°C)</td> <td>3</td> <td>3</td> <td>8</td> <td>12</td> </tr> <tr> <td>Z(-40°C)/Z(20°C)</td> <td>12</td> <td>-</td> <td>-</td> <td>-</td> </tr> </table> (120Hz)		Rated Voltage (Vdc)	10~100	200~250	400~450	475~500	Z(-25°C)/Z(20°C)	3	3	8	12	Z(-40°C)/Z(20°C)	12	-	-	-									
Rated Voltage (Vdc)	10~100	200~250	400~450	475~500																						
Z(-25°C)/Z(20°C)	3	3	8	12																						
Z(-40°C)/Z(20°C)	12	-	-	-																						

◆MULTIPLIER FOR RIPPLE CURRENT

Frequency (Hz)	60 (50)	120 (100)	300	500	1k	10k≤
10~100Vdc	0.90	1.00	1.03	1.05	1.10	1.15
200~250Vdc	0.80	1.00	1.15	1.20	1.30	1.50
400~500Vdc	0.80	1.00	1.15	1.20	1.25	1.40

◆OPTION

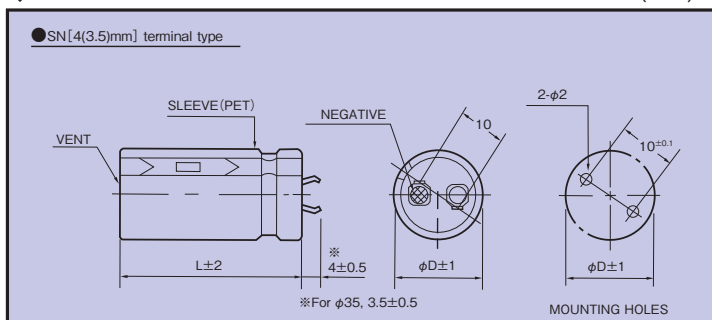
Option	Code
PET Sleeve without plate	EFC

◆PART NUMBER



◆DIMENSIONS

(mm)



◆ STANDARD SIZE

Cap(μF)	Vdc φD	10				16			
		φ22	φ25	φ30	φ35	φ22	φ25	φ30	φ35
5600						22×25: 1.44			
6800						22×30: 1.66			
8200		22×25: 1.36				22×30: 1.79	25×25: 1.67		
10000		22×30: 1.65				22×35: 2.08	25×30: 2.07		
12000		22×35: 1.85	25×25: 1.82			22×40: 2.36	25×35: 2.37	30×25: 2.13	
15000		22×40: 2.12	25×30: 2.11	30×25: 2.14		22×45: 2.69	25×40: 2.72	30×30: 2.54	
18000		22×45: 2.40	25×35: 2.32	30×30: 2.37			25×45: 3.06	30×35: 3.02	35×30: 3.09
22000			25×40: 2.59	30×30: 2.73			25×50: 3.39	30×40: 3.46	35×30: 3.31
27000			25×45: 3.01	30×35: 3.13	35×30: 3.05			30×45: 3.88	35×35: 3.85
33000			25×50: 3.43	30×40: 3.53	35×35: 3.49			30×50: 4.33	35×40: 4.33
39000				30×45: 3.78	35×40: 3.96				35×45: 4.96
47000				30×50: 4.58	35×45: 4.60				35×50: 5.49
56000					35×50: 5.06				

Cap(μF)	Vdc φD	25				35			
		φ22	φ25	φ30	φ35	φ22	φ25	φ30	φ35
2700						22×25: 1.29			
3300						22×30: 1.54			
3900		22×25: 1.31				22×35: 1.77	25×25: 1.55		
4700		22×30: 1.55				22×40: 2.01	25×30: 1.87		
5600		22×35: 1.77	25×25: 1.56			22×45: 2.25	25×35: 2.18	30×25: 1.80	
6800		22×40: 2.02	25×30: 1.88			22×50: 2.49	25×40: 2.45	30×30: 2.28	
8200		22×45: 2.27	25×35: 2.18	30×25: 1.92			25×45: 2.80	30×35: 2.69	
10000		22×50: 2.56	25×40: 2.53	30×30: 2.38				30×40: 3.04	35×30: 2.78
12000			25×45: 2.79	30×35: 2.70	35×30: 2.76			30×45: 3.38	35×35: 3.30
15000				30×40: 3.13	35×30: 3.00				35×40: 3.88
18000				30×45: 3.52	35×35: 3.50				35×45: 4.40
22000				30×50: 3.92	35×40: 3.95				
27000					35×50: 4.72				

Cap(μF)	Vdc φD	50				63			
		φ22	φ25	φ30	φ35	φ22	φ25	φ30	φ35
1000						22×25: 1.10			
1200						22×25: 1.17			
1500		22×25: 1.21				22×30: 1.41	25×25: 1.38		
1800		22×25: 1.28				22×35: 1.62	25×30: 1.63		
2200		22×30: 1.52	25×25: 1.46			22×40: 1.85	25×30: 1.75	30×25: 1.66	
2700		22×35: 1.77	25×30: 1.76			22×45: 2.10	25×35: 2.03	30×30: 2.01	
3300		22×40: 2.02	25×30: 1.87	30×25: 1.72			25×40: 2.33	30×30: 2.15	
3900		22×45: 2.27	25×35: 2.20	30×30: 2.09			25×45: 2.58	30×35: 2.46	35×30: 2.31
4700			25×40: 2.43	30×30: 2.22				30×40: 2.82	35×35: 2.77
5600			25×45: 2.72	30×35: 2.58	35×30: 2.35			30×45: 3.22	35×40: 3.20
6800				30×40: 3.01	35×35: 2.91				35×45: 3.61
8200				30×50: 3.63	35×40: 3.36				35×50: 3.94
10000					35×45: 3.79				
12000					35×50: 4.06				

Cap(μF)	Vdc φD	80				100			
		φ22	φ25	φ30	φ35	φ22	φ25	φ30	φ35
560						22×25: 1.01			
680						22×30: 1.19			
820		22×25: 1.09				22×35: 1.33	25×25: 1.26		
1000		22×30: 1.29				22×40: 1.56	25×30: 1.52	30×25: 1.47	
1200		22×35: 1.48	25×25: 1.32			22×45: 1.76	25×35: 1.76	30×30: 1.76	
1500		22×40: 1.70	25×30: 1.74	30×25: 1.58		22×50: 2.00	25×40: 2.03	30×30: 1.89	
1800		22×45: 1.91	25×35: 1.86	30×25: 1.68			25×45: 2.29	30×35: 2.19	35×30: 2.05
2200			25×45: 2.22	30×30: 2.02				30×40: 2.52	35×35: 2.48
2700				30×35: 2.50	35×30: 2.18			30×45: 2.86	35×40: 2.87
3300				30×40: 2.69	35×35: 2.60				35×45: 3.25
3900				30×45: 2.94	35×40: 3.00				35×50: 3.56
4700					35×45: 3.44				
5600					35×50: 3.72				

↑ Ripple Current (A r.m.s./120Hz, 105°C)
 Case Size φD×L(mm)

◆ STANDARD SIZE

Cap(μF)	Vdc φD	200				220			
		φ22	φ25	φ30	φ35	φ22	φ25	φ30	φ35
270		22×25: 1.31				22×25: 1.31			
330		22×30: 1.53				22×30: 1.53			
390		22×30: 1.61	25×25: 1.49			22×35: 1.73	25×25: 1.49		
470		22×35: 1.84	25×30: 1.75			22×40: 1.96	25×30: 1.73		
560		22×40: 2.07	25×30: 1.81			22×45: 2.18	25×35: 1.97	30×25: 1.60	
680		22×45: 2.32	25×35: 2.07	30×25: 1.67		22×50: 2.43	25×40: 2.23	30×30: 1.89	35×25: 1.58
820		22×50: 2.58	25×40: 2.33	30×30: 1.95	35×25: 1.65	22×60: 2.80	25×45: 2.48	30×35: 2.17	35×30: 1.91
1000			25×45: 2.62	30×35: 2.23	35×30: 1.94		25×50: 2.77	30×40: 2.43	35×35: 2.21
1200				30×40: 2.50	35×35: 2.24		25×60: 3.16	30×45: 2.68	35×40: 2.48
1500				30×45: 2.82	35×40: 2.56			30×50: 3.01	35×40: 2.50
1800					35×45: 2.85			30×60: 3.48	35×50: 3.04
2200					35×50: 3.14				35×60: 3.40

Cap(μF)	Vdc φD	250				400			
		φ22	φ25	φ30	φ35	φ22	φ25	φ30	φ35
82						22×25: 0.77			
100						22×30: 0.89			
120						22×30: 0.96	25×25: 0.95		
150						22×35: 1.11	25×30: 1.11		
180						22×40: 1.25	25×35: 1.26	30×25: 1.16	
220		22×25: 1.22				22×50: 1.47	25×35: 1.35	30×30: 1.35	35×25: 1.26
270		22×30: 1.43				22×55: 1.65	25×45: 1.61	30×35: 1.54	35×30: 1.48
330		22×35: 1.64	25×25: 1.39				25×50: 1.80	30×40: 1.74	35×30: 1.54
390		22×40: 1.84	25×30: 1.65				25×55: 1.99	30×45: 1.93	35×35: 1.74
470		22×45: 2.06	25×35: 1.88	30×25: 1.55				30×50: 2.14	35×40: 1.95
560		22×50: 2.29	25×40: 2.11	30×30: 1.84	35×25: 1.56			30×60: 2.44	35×45: 2.19
680		22×55: 2.54	25×45: 2.36	30×35: 2.11	35×30: 1.80				35×50: 2.40
820			25×50: 2.61	30×40: 2.36	35×30: 1.81				35×60: 2.77
1000			25×60: 3.02	30×45: 2.63	35×35: 2.38				
1200				30×50: 2.85	35×40: 2.41				
1500				30×60: 3.31	35×50: 2.92				
1800					35×55: 3.12				

Cap(μF)	Vdc φD	420				450			
		φ22	φ25	φ30	φ35	φ22	φ25	φ30	φ35
82		22×25: 0.75				22×25: 0.76			
100		22×30: 0.87				22×30: 0.88	25×25: 0.86		
120		22×35: 0.99	25×25: 0.93			22×35: 1.00	25×30: 0.99		
150		22×40: 1.14	25×30: 1.08			22×40: 1.14	25×30: 1.09	30×25: 1.08	
180		22×45: 1.28	25×35: 1.23	30×25: 1.14		22×45: 1.29	25×35: 1.23	30×30: 1.24	
220		22×50: 1.44	25×40: 1.39	30×30: 1.32	35×25: 1.24	22×55: 1.49	25×40: 1.40	30×30: 1.32	35×25: 1.23
270		22×60: 1.66	25×45: 1.57	30×35: 1.51	35×30: 1.45		25×50: 1.64	30×35: 1.51	35×30: 1.45
330			25×50: 1.77	30×40: 1.71	35×35: 1.66			30×45: 1.80	35×35: 1.65
390			25×60: 2.01	30×45: 1.89	35×40: 1.86			30×50: 1.98	35×40: 1.85
470				30×50: 2.09	35×40: 1.93			30×55: 2.19	35×45: 2.05
560				30×60: 2.39	35×50: 2.27				35×50: 2.26
680					35×55: 2.48				35×55: 2.49
820					35×60: 2.69				

Cap(μF)	Vdc φD	475				500			
		φ22	φ25	φ30	φ35	φ22	φ25	φ30	φ35
47						22×25: 0.58			
56		22×25: 0.62				22×30: 0.66			
68		22×30: 0.71				22×30: 0.73	25×25: 0.72		
82		22×30: 0.77	25×25: 0.77			22×35: 0.83	25×30: 0.83	30×25: 0.83	
100		22×35: 0.89	25×30: 0.88			22×40: 0.94	25×35: 0.94	30×25: 0.91	
120		22×40: 1.00	25×30: 0.96	30×25: 0.96		22×50: 1.08	25×35: 1.02	30×30: 1.04	35×25: 1.01
150		22×45: 1.15	25×35: 1.11	30×30: 1.12		22×55: 1.24	25×45: 1.21	30×35: 1.19	35×30: 1.18
180		22×55: 1.32	25×40: 1.25	30×30: 1.20	35×25: 1.14	22×60: 1.38	25×50: 1.36	30×40: 1.34	35×30: 1.25
220			25×50: 1.45	30×35: 1.36	35×30: 1.33		25×55: 1.52	30×45: 1.51	35×40: 1.51
270			25×60: 1.68	30×40: 1.55	35×35: 1.52			30×50: 1.69	35×40: 1.62
330				30×55: 1.89	35×40: 1.71			30×55: 1.89	35×45: 1.81
390					35×50: 1.99				35×55: 2.08
470					35×60: 2.28				35×60: 2.28

↑ Ripple Current (A r.m.s./120Hz, 105°C)
Case Size φD×L(mm)