



Chipsmall Limited consists of a professional team with an average of over 10 year of expertise in the distribution of electronic components. Based in Hongkong, we have already established firm and mutual-benefit business relationships with customers from,Europe,America and south Asia,supplying obsolete and hard-to-find components to meet their specific needs.

With the principle of “Quality Parts,Customers Priority,Honest Operation,and Considerate Service”,our business mainly focus on the distribution of electronic components. Line cards we deal with include Microchip,ALPS,ROHM,Xilinx,Pulse,ON,Everlight and Freescale. Main products comprise IC,Modules,Potentiometer,IC Socket,Relay,Connector.Our parts cover such applications as commercial,industrial, and automotives areas.

We are looking forward to setting up business relationship with you and hope to provide you with the best service and solution. Let us make a better world for our industry!



Contact us

Tel: +86-755-8981 8866 Fax: +86-755-8427 6832

Email & Skype: info@chipsmall.com Web: www.chipsmall.com

Address: A1208, Overseas Decoration Building, #122 Zhenhua RD., Futian, Shenzhen, China





42BYG Stepper Motor

SKU:81042 Weight:290.00 Gram



Specifications :

PHASE : 2PHASE

STEP ANGLE : 1.8+-5%/STEP

RATED VOLTAGE : 12V

CURRENT : 1.7A/PHASE

RESISRANCE : 1.5+-10%/PHASE

INDUCRANCE : 2.8+-20% mH /PHASE

HOLDING TORQUE : 40N.cm Min

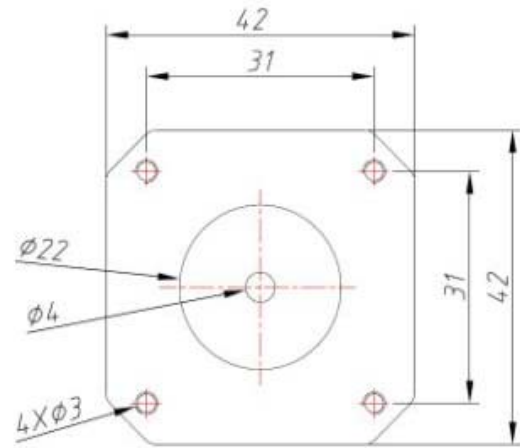
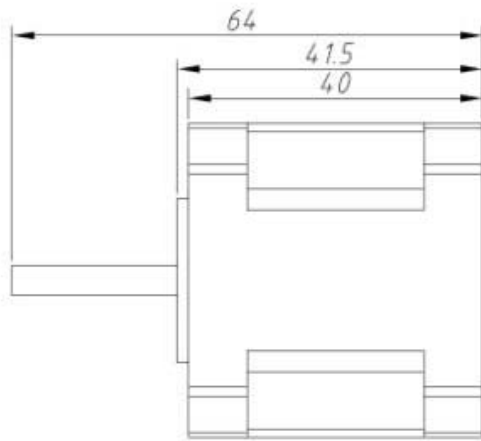
DETENT TORQUE : 2.2N.cm Max

INSULATION CLASS : B

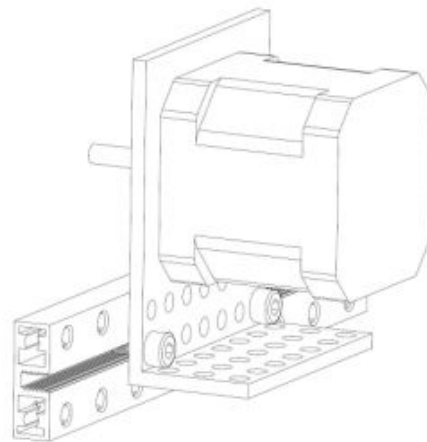
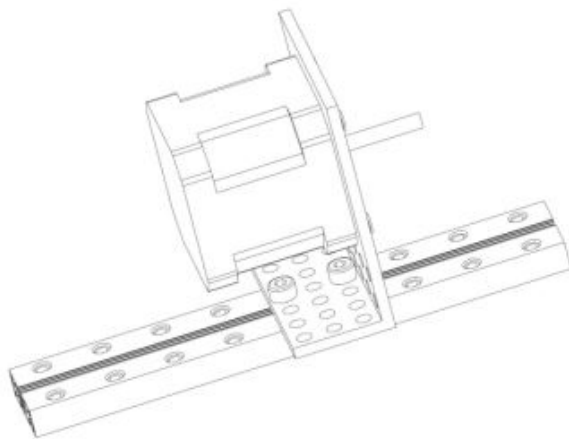
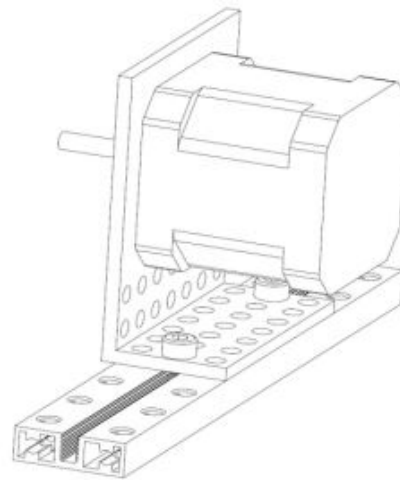
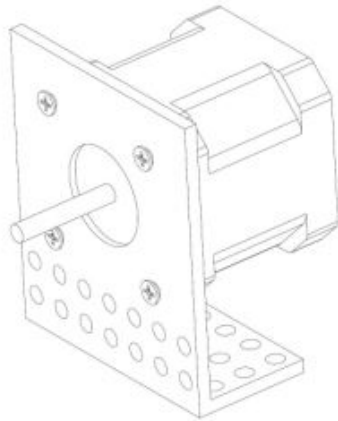
LEAD STYLE : AWG26 UL1007

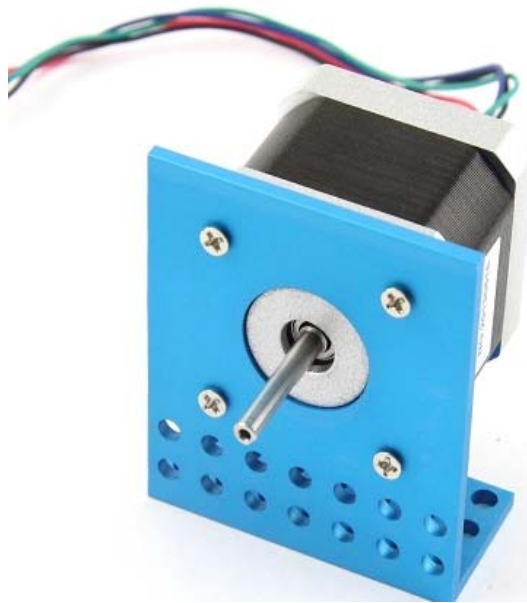
ROTOR TORQUE : 54G.cm²

Size Charts:

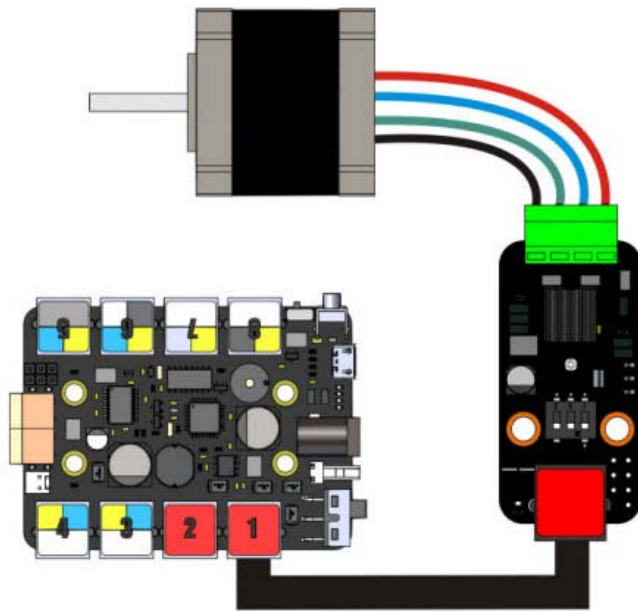


Demo:





The Stepper Motor Braket is not included.



Connection Type

May you are confusing about which color cable on the stepper motor should be connected to which port on the driver (A+,A-, B+,B-), Here is a guide of it

1. Our stepper motor has two phase. So it doesn't matter you change the connection order between phase A and phase B. Which I mean Black and Green could be connected to A or B, Red and Blue could be connected to B or A. And yes, it would change the motor direction.

2, And,

A+:Black A+:Green

A-:Green or A-: Black Both of the connection type are OK.

3, There is only one rule you need to follow, which is you can't mix them together.

For example, this kind of connection type is wrong, it would make damage to the motor.

A+:Red

A-: Black

B+:Blue

B-:Green