



Chipsmall Limited consists of a professional team with an average of over 10 year of expertise in the distribution of electronic components. Based in Hongkong, we have already established firm and mutual-benefit business relationships with customers from,Europe,America and south Asia,supplying obsolete and hard-to-find components to meet their specific needs.

With the principle of “Quality Parts,Customers Priority,Honest Operation,and Considerate Service”,our business mainly focus on the distribution of electronic components. Line cards we deal with include Microchip,ALPS,ROHM,Xilinx,Pulse,ON,Everlight and Freescale. Main products comprise IC,Modules,Potentiometer,IC Socket,Relay,Connector.Our parts cover such applications as commercial,industrial, and automotives areas.

We are looking forward to setting up business relationship with you and hope to provide you with the best service and solution. Let us make a better world for our industry!



## Contact us

Tel: +86-755-8981 8866 Fax: +86-755-8427 6832

Email & Skype: info@chipsmall.com Web: www.chipsmall.com

Address: A1208, Overseas Decoration Building, #122 Zhenhua RD., Futian, Shenzhen, China



# 800 series

## Snap-action momentary pushbutton switches

*Distinctive features and specifications*



- Panel and PC mount models
- Snap-in panel mounting version
- Tactile feedback

### ELECTRICAL SPECIFICATIONS

- Max. current/voltage rating with resistive load :
  - gold over nickel plated brass contacts : 0.4VA - 20V max.
  - coin silver contacts : 6A 125VAC, 3A 250VAC, 7A 30VDC
- Initial contact resistance : 20 mΩ max.
- Insulation resistance : 2,000 MΩ min. between terminals & case ground.
- Dielectric strength : 1,500 VAC for 1 minute between terminals & case ground.
- Electrical life : 60.000 cycles at full load

### MATERIALS

- Case : DAP
- Actuator : polyamide, glass filled
- Bushing : brass, nickel plated
- Strap : stainless steel
- Bracket : tin plated steel or brass
- Contacts
  - B** : Gold
  - Q** : Coin Silver
- Terminal seal : epoxy

### GENERAL SPECIFICATIONS

- Total travel : 0.9mm (.035)
- Actuation force:
  - Single pole: 290+/- 75g
  - Double pole: 550+/- 75g
- Operating temperature : -30°C to +85°C
- Soldering : 300°C, 3 sec. max.

### AGENCY APPROVAL



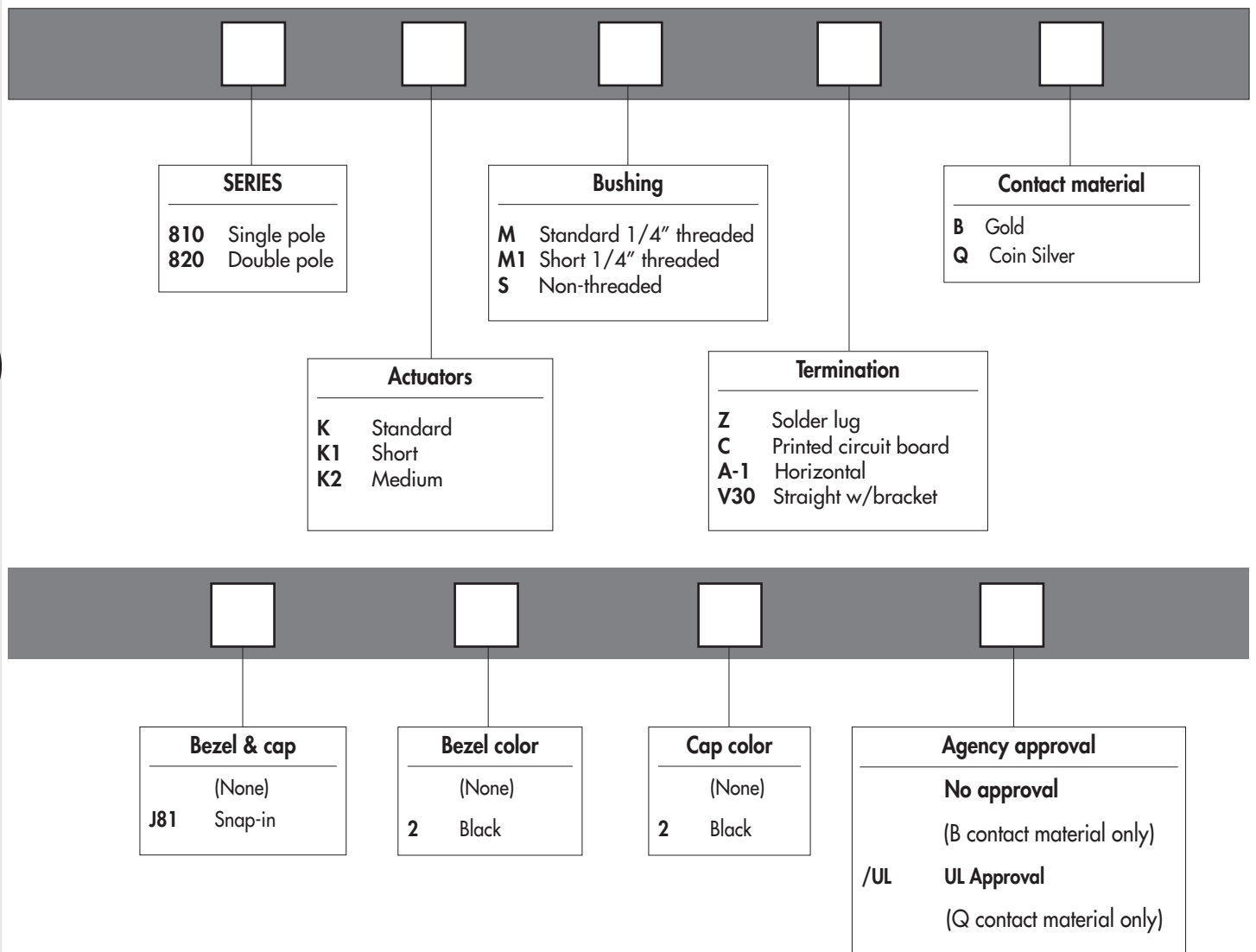
**Availability:** All models with coin silver contacts (Q) only.

**Marking:** To order switches marked UL, complete appropriate box on ordering format.

# 800 series

## Snap-action momentary pushbutton switches

B



### ABOUT THIS SERIES

On the following pages, you will find successively :

- model structure of switches
- options in the same order as in above chart

**Dimensions** : first dimensions are in mm while inches are shown as bracketed numbers.



**Sealing boots** are available to protect the switches against dust and water. They are presented in section H.



**Mounting accessories** : standard hardware supplied with all models with Ø 6,35 (1/4) threaded bushing :  
2 - 5/16" hex nuts , 1 locking ring and 1 lockwasher.  
Standard and special hardware available are presented in section I.



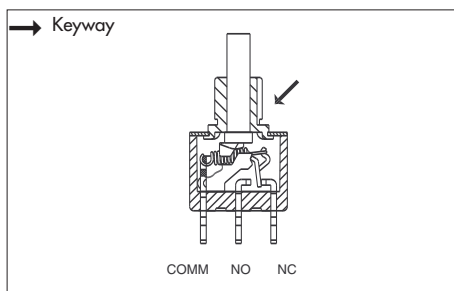
**Packaging unit** : 25 pieces for double pole  
50 pieces for single pole



**NOTICE** : please note that not all combinations of above numbers are available. Refer to the following pages for further information.

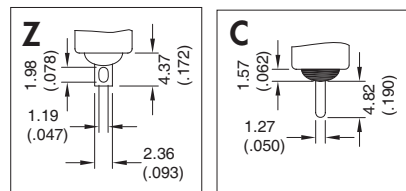
# 800 series

## Snap-action momentary pushbutton switches



### Terminations

- Solder lug or straight PC terminals
- Epoxy sealed terminals standard



Shown with standard plunger (K)

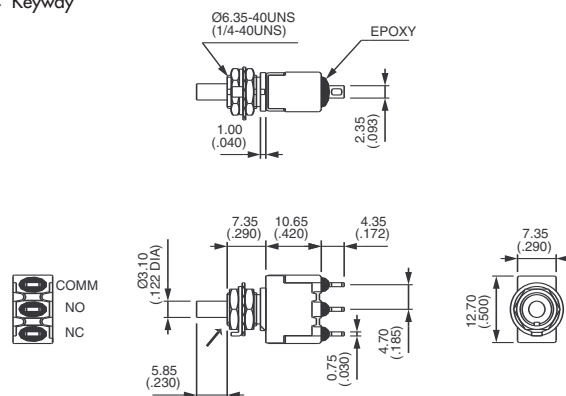
### Solder lug terminals



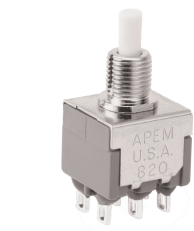
810KMZ



→ Keyway



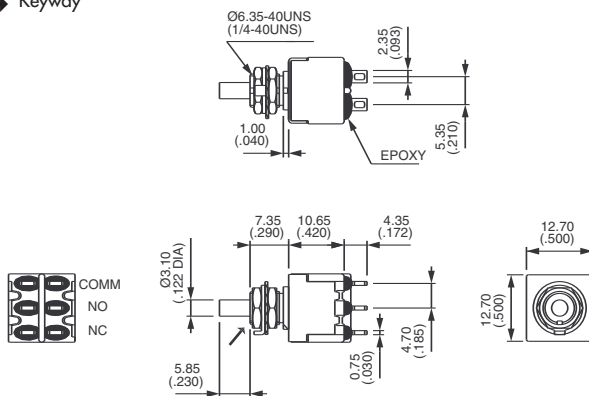
### Solder lug terminals



820KMZ



→ Keyway



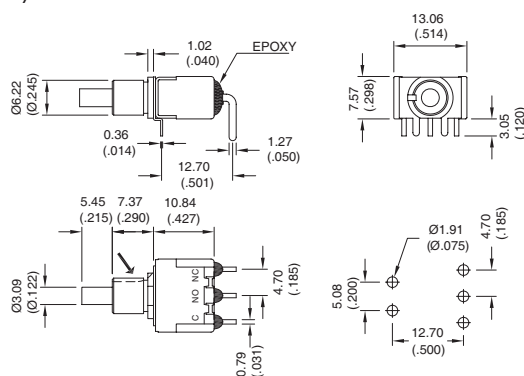
### Horizontal right angle



810KSA-1



→ Keyway

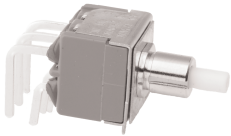




# 800 series

## Snap-action momentary pushbutton switches

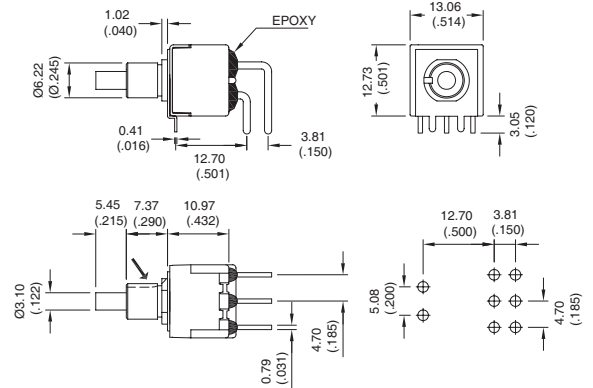
### Horizontal angle



820KSA-1



→ Keyway



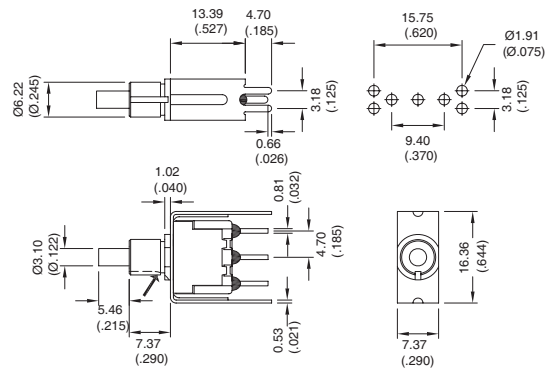
### Straight PC terminals with bracket



810KSV30



→ Keyway



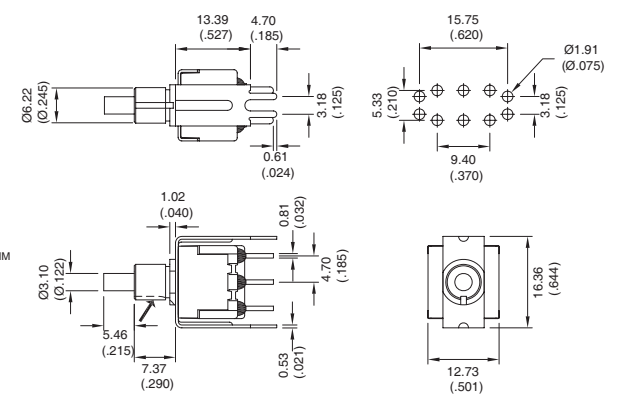
### Straight PC terminals with bracket



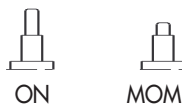
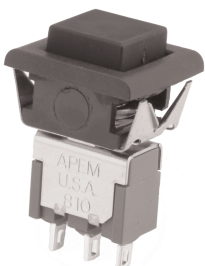
820KSV30



→ Keyway

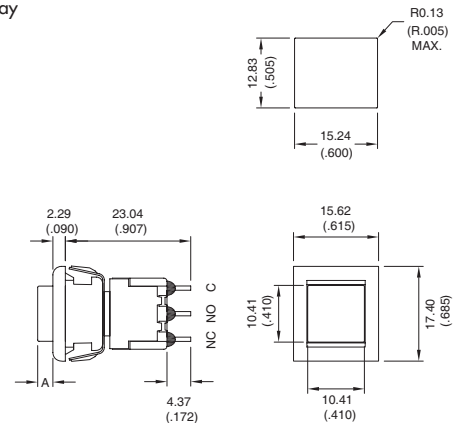


### Solder lug terminals with snap-in bezel



MODEL NUMBER	DIM. A
810K2M1ZQJ8122	2.54 [.100]
810K1M1ZQJ8122	0.25 [.010]

→ Keyway

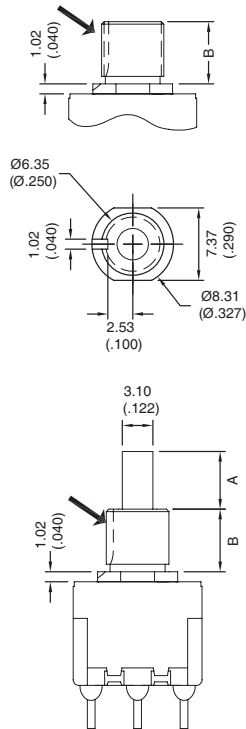


# 800 series

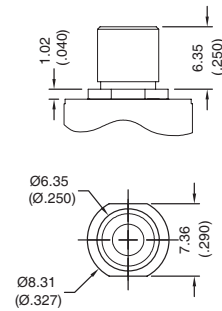
## Snap-action momentary pushbutton switches

### Actuator & bushing options

#### M & M1



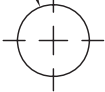
#### S



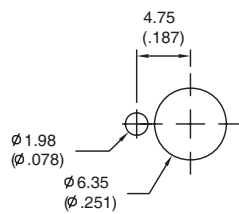
BUSHING OPTION	DIM. B	DIMENSION A ACTUATOR OPTION		
		K	K1	K2
M	6.35 (.250)	5.84 (.230)	.069 (1.75)	4.27 (.168)
S	6.35 (.250)	5.84 (.230)	.069 (1.75)	4.27 (.168)
M1	3.91 (.154)	8.18 (.322)	4.91 (.165)	6.70 (.264)

### Panel cut-outs

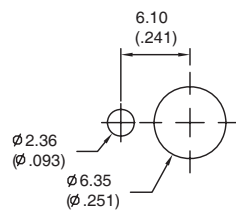
Ø 6.35  
(Ø .251)



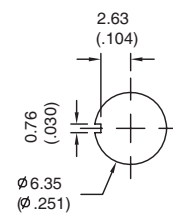
Without keying



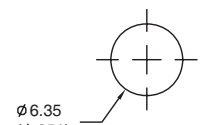
With A107 anti-rotating ring



With A158 anti-rotating ring



With slotted keyway



Accepts all 1/4" non-threaded bushings

### Contact materials

**B**

Dry circuit - gold over nickel over brass.

RATING: 0.4 Volt-Amps (VA) max. at 20 V max.

ELECTRIC LIFE: 60,000 cycles minimum. MECHANICAL LIFE: 500,000 cycles minimum.

**Q**

Power circuit - coin silver.

RATING: 6 Amps at 125 VAC, 3 Amps at 250 VAC or 7 Amps at 30 VDC (resistive loads).

ELECTRIC LIFE: 60,000 cycles minimum at full load.

# 800 series

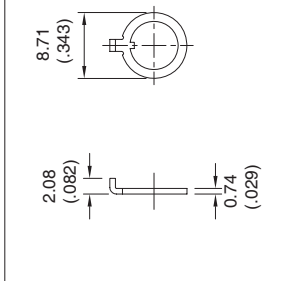
## Snap-action momentary pushbutton switches

### Approvals

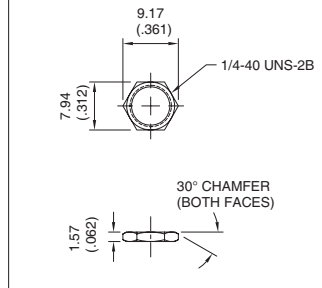
**/UL** For power circuits - coin silver  
RATING: 6 Amps at 125 VAC or 3 Amps at 250 VAC (75% power factor).  
Underwriter Laboratories file no. E66367. Note - applicable only to terminations with coin silver contacts (Q option).

### Hardware

Anti-rotate ring A107  
Nickel plated brass 1/4



5/16" Hex nut A112  
Nickel plated brass 1/4-40



Anti-rotate ring A158  
Nickel plated brass 1/4

