



Chipsmall Limited consists of a professional team with an average of over 10 year of expertise in the distribution of electronic components. Based in Hongkong, we have already established firm and mutual-benefit business relationships with customers from,Europe,America and south Asia,supplying obsolete and hard-to-find components to meet their specific needs.

With the principle of “Quality Parts,Customers Priority,Honest Operation,and Considerate Service”,our business mainly focus on the distribution of electronic components. Line cards we deal with include Microchip,ALPS,ROHM,Xilinx,Pulse,ON,Everlight and Freescale. Main products comprise IC,Modules,Potentiometer,IC Socket,Relay,Connector.Our parts cover such applications as commercial,industrial, and automotives areas.

We are looking forward to setting up business relationship with you and hope to provide you with the best service and solution. Let us make a better world for our industry!



## Contact us

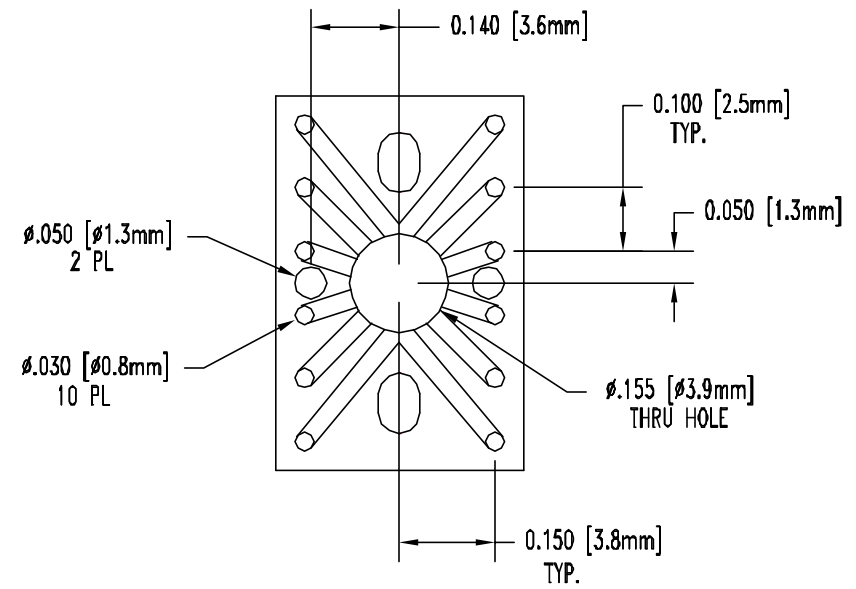
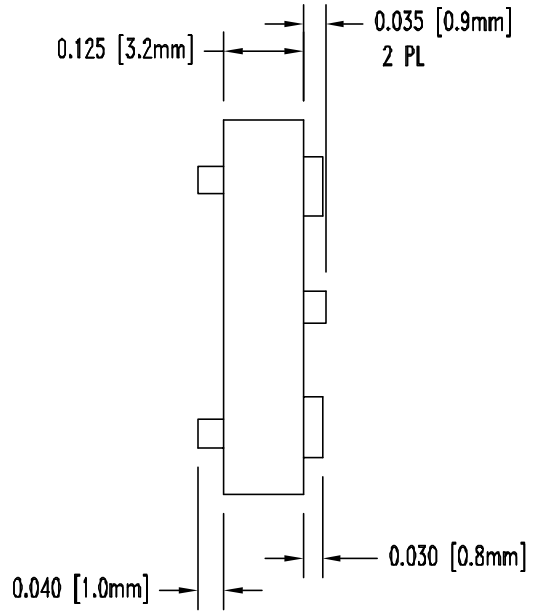
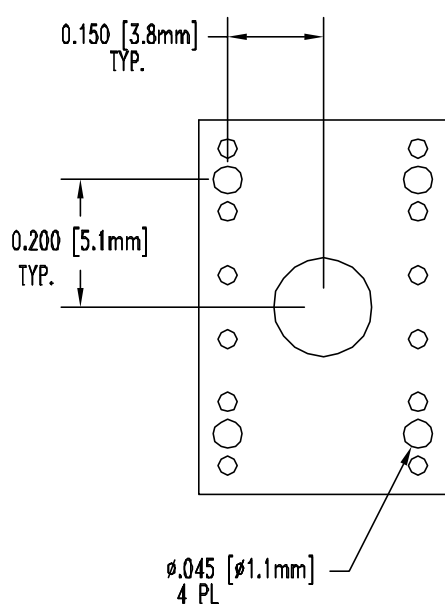
Tel: +86-755-8981 8866 Fax: +86-755-8427 6832

Email & Skype: info@chipsmall.com Web: www.chipsmall.com


Address: A1208, Overseas Decoration Building, #122 Zhenhua RD., Futian, Shenzhen, China



REV	DESCRIPTION	DATE	APPROVED
A	ENGINEERING RELEASE.	05/30/03	MC



2. MATERIAL: NYLON 6/6, 94V-2, NATURAL. (0% REGRIND ALLOWED)  
 BASF ULTRAMID NYLON 6/6 A3K NATURAL. BIVAR MATERIAL CODE 03-NL.
1. GENERAL SPECIFICATIONS: BIVAR MOLDED COMPONENT SPECIFICATION BV00-E101.

UNLESS OTHERWISE SPECIFIED: DIMENSIONS ARE IN INCHES		TOLERANCES		 <b>4 THOMAS, IRVINE, CA.92618</b> TEL: (949) 961-8808 FAX: (949) 961-3874	
DECIMALS	ANGULAR	DECIMALS	ANGULAR		
.X ± .1	° ± 1°	.XX ± .01		PART NAME: IC SPREADER 10 PIN SIZE A DWG NAME DWG NO. 812-187 REV A	
.XXX ± .005					
DESIGNER DAVID GREEN	DATE 05/30/03	CHECKER M CHEN	DATE 05/30/03	SCALE 1=1	CAGE CODE 32559
				SHEET 1 OF 1	