



Chipsmall Limited consists of a professional team with an average of over 10 year of expertise in the distribution of electronic components. Based in Hongkong, we have already established firm and mutual-benefit business relationships with customers from,Europe,America and south Asia,supplying obsolete and hard-to-find components to meet their specific needs.

With the principle of "Quality Parts,Customers Priority,Honest Operation,and Considerate Service",our business mainly focus on the distribution of electronic components. Line cards we deal with include Microchip,ALPS,ROHM,Xilinx,Pulse,ON,Everlight and Freescale. Main products comprise IC,Modules,Potentiometer,IC Socket,Relay,Connector.Our parts cover such applications as commercial,industrial, and automotives areas.

We are looking forward to setting up business relationship with you and hope to provide you with the best service and solution. Let us make a better world for our industry!



Contact us

Tel: +86-755-8981 8866 Fax: +86-755-8427 6832

Email & Skype: info@chipsmall.com Web: www.chipsmall.com

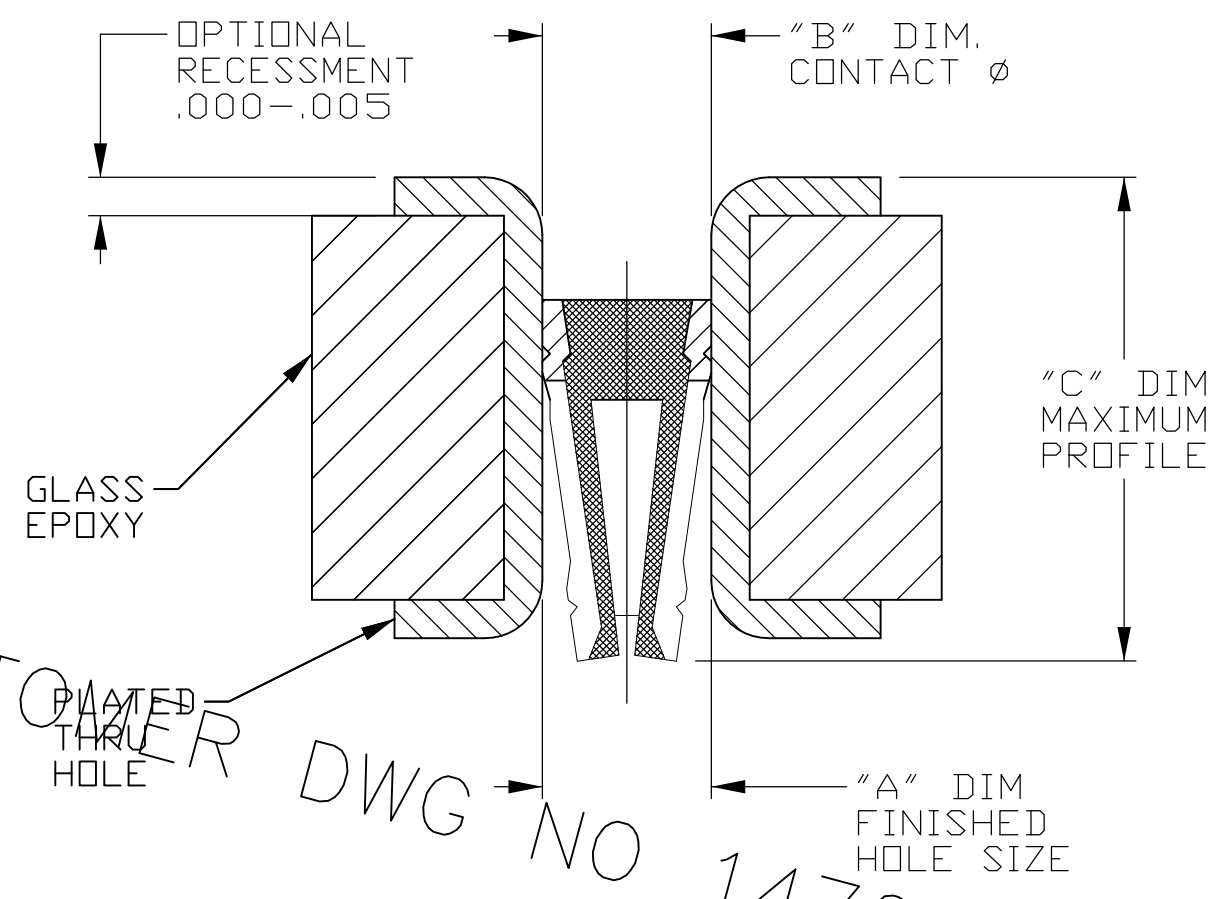
Address: A1208, Overseas Decoration Building, #122 Zhenhua RD., Futian, Shenzhen, China



THIS DRAWING IS UNPUBLISHED. RELEASED FOR PUBLICATION
 © COPYRIGHT - By - ALL RIGHTS RESERVED.

LOC	DIST	REVISIONS					
AD	00	P	LTR	DESCRIPTION	DATE	DWN	APVD
		A1		REVISED PER ECO-11-004820	11MAR11	RK	HMR

CONVERSION CHART		CONVERSION CHART	
INCH	MM	INCH	MM
.000	0,00	.030	0,76
.005	0,13		
.0003	0,007	.041	1,04
.0005	0,012		
.0005	0,012	.044	1,12
.001	0,02	.0453	1,150
.002	0,05	.100	2,54
.010	0,25	.107	2,72
.011	0,28	.300	7,62
.016	0,40	.400	10,16
.021	0,53		
.018	0,46	.600	15,24



- FEATURES:**
- QUALIFIED TO MIL-S-83505/6 (M8134 SERIES ONLY).
 - ZERO SOCKET PROFILE.
 - RECESSED CONTACT OFFERS LARGER HOLE DIAMETER FOR COMPONENT INSERTION.
 - PRECISION-MACHINED, TAPERED-ENTRY, FOUR FINGER CONTACT.
 - RETAINS MINIMUM COMPONENT LEAD LENGTHS.
 - MAXIMUM HEAT DISSIPATION.
 - SOLDERLESS, GAS-TIGHT, PRESS-FIT INSERTION.
 - INSTALLATION RATE-30,000 CONTACTS MINIMUM (LOADED AND PRESSED) PER HOUR.
 - REMOVES ARTWORK DESIGN RESTRICTIONS.
 - IMMEDIATE CONVERSION TO HOLTITE® SYSTEM.
- HOLTITE® CONTACT SOCKET REEL:**
- AVAILABLE IN ALL STANDARD DIP SOCKET PATTERNS MOUNTED ON DISPOSABLE MYLAR CARRIER.
 - CONTACTS PACKAGED 5,000 PIECES PER REEL.
 - EASILY INSTALLED WITH HAND TOOL IN AUGAT PROTOTYPING KIT (399-HK SERIES) OR WITH BENCHTOP PRESSES.
 - CONTACT AVAILABLE IN UNIVERSAL .100" APART X .300", .400" AND .600" WIDE ROWS FOR CUSTOM APPLICATIONS (CAN BE CUT TO DESIRED PATTERN SIZE).
 - HOLTITE® LOADING MACHINES AVAILABLE, CONSULT FACTORY.

PART NUMBERS/STANDARD CONFIGURATIONS:

NOTES:
 1. INTERPRET DRAWING PER ASME Y14.5M-1994.

PART NUMBER	CONTACT MATERIAL & FINISH	RECOMMENDED LEAD SIZE	RECOMMENDED PRIMARY DRILL SIZE	A DIM. FINISHED PLATED-THRU HOLE SIZE	B DIM CONTACT DIAMETER	C DIM MAXIMUM PROFILE	BOARD THICKNESS	PLATED-THRU HOLE FINISH
8134-HC-5P2 (GOLD)	COPPER ALLOY, GOLD PLATE OVER NICKEL	RECTANGULAR LEAD .011 X .018(±.002)	.0453	.041 ±.002	.044 ±.0005	.107	.030 MIN.	.0003-.0005 ELECTRO-DEPOSITED TIN/LEAD OVER .001 MIN. THICKNESS ELECTRO-DEPOSITED COPPER PLATE.
8134-HC-5P3 (TIN/LEAD)	COPPER ALLOY, TIN/LEAD PLATE	ROUND LEAD Ø.016-Ø.021						

THIS DRAWING IS A CONTROLLED DOCUMENT.		DWN	K WIKSTROM	8-18-95	STE TE Connectivity		
DIMENSIONS: INCHES		CHK	-	-			
TOLERANCES UNLESS OTHERWISE SPECIFIED:		APVD	RJS	8-25-95	NAME		
0 PLC ± -		PRODUCT SPEC			CONTACT PLATED (REF AUGAT 8134-HC-5P2,P3)		
1 PLC ± -		APPLICATION SPEC			SIZE		
2 PLC ± -		WEIGHT			CAGE CODE		
3 PLC ± -		CUSTOMER DRAWING			DRAWING NO		
4 PLC ± -		SCALE			SHEET		
ANGLES ± -		CUSTOMER DRAWING			RESTRICTED TO		
FINISH		CUSTOMER DRAWING			REV		
MATERIAL		CUSTOMER DRAWING			A1		