



Chipsmall Limited consists of a professional team with an average of over 10 year of expertise in the distribution of electronic components. Based in Hongkong, we have already established firm and mutual-benefit business relationships with customers from,Europe,America and south Asia,supplying obsolete and hard-to-find components to meet their specific needs.

With the principle of "Quality Parts,Customers Priority,Honest Operation,and Considerate Service",our business mainly focus on the distribution of electronic components. Line cards we deal with include Microchip,ALPS,ROHM,Xilinx,Pulse,ON,Everlight and Freescale. Main products comprise IC,Modules,Potentiometer,IC Socket,Relay,Connector.Our parts cover such applications as commercial,industrial, and automotives areas.

We are looking forward to setting up business relationship with you and hope to provide you with the best service and solution. Let us make a better world for our industry!



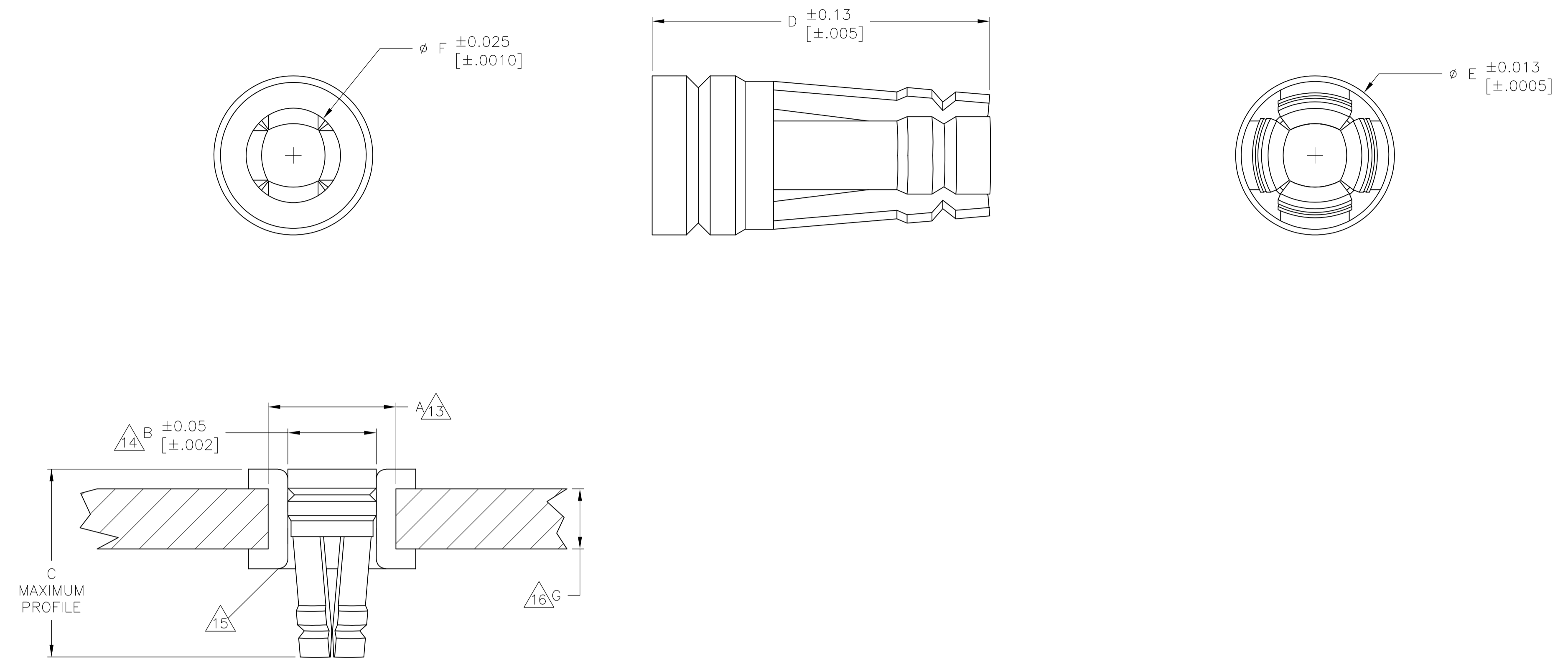
Contact us

Tel: +86-755-8981 8866 Fax: +86-755-8427 6832

Email & Skype: info@chipsmall.com Web: www.chipsmall.com

Address: A1208, Overseas Decoration Building, #122 Zhenhua RD., Futian, Shenzhen, China





PLATED-THROUGH-HOLE REQUIREMENTS
SCALE 25:1

- 1 BERYLLIUM COPPER PER ATSM B197.
- 2 .000635 [.000025] MIN. GOLD OVER .001270 [.000050] MIN. NICKEL.
- 3 .000762 [.000030] MIN. GOLD OVER .001270 [.000050] MIN. NICKEL.
- 4 .002032 [.000080] MIN. MATTE TIN-LEAD OVER .001905 [.000075] MIN. COPPER.
- 5 QUALIFIED TO MILITARY SPECIFICATION MIL-DTL-83805/6
- 6 ROUND LEAD DIAMETER 0.41-0.53 [.016-.021].
- 7 ROUND LEAD DIAMETER 0.51-0.76 [.020-.030].
- 8 ROUND LEAD DIAMETER 0.64-0.89 [.025-.035].
- 9 ROUND LEAD DIAMETER 0.89-1.14 [.035-.045].
- 10 RECTANGULAR LEAD SIZE 0.28X0.46±0.05 [.011X.018±.002].
- 11 RECTANGULAR LEAD SIZE 0.64 SQ. [.025 SQ.].
- 12 LOW INSERTION/WITHDRAWAL FORCE PRODUCT.
- 13 NOMINAL DRILL SIZE FOR PRIMARY HOLE.
- 14 FINISHED HOLE DIAMETER.
- 15 PLATED-THRU HOLE FINISH: 0.0076-0.0127 [.0003-.0005] TIN-LEAD OVER 0.001 [.0254] MIN. COPPER
- 16 MINIMUM THICKNESS FOR THE CIRCUIT BOARD.
- 17 OVERSIZED PRODUCT- FOR USE WHEN THE FINISHED HOLE DIAMETER EXCEEDS 1.15 [.0453] BY 0.05 [.002] OR LESS.
- 18 THESE PRODUCTS ARE BULK PACKAGED.
- 19 .002032 [.000080] MIN. MATTE TIN (LEAD FREE) OVER .001905 [.000075] MIN COPPER
- 20 PRELIMINARY PART, NOT RELEASED FOR PRODUCTION.
- 21 .0046 [.000180] MIN TIN
- 22 OBSOLETE PARTS: OBSOLETE CIS STREAMLINING PER D.RENAUD/D.SINISI

22 OBSOLETE

0.76 [.030]	1.07 [.042]	1.588 [.0625]	3.45 [.136]	3.56 [.140]	1.47 [.058]	1.61 [.0635]	10,000	8 11	-	4	8134-HC-8P3	2-1437506-8
										2	8134-HC-8P2	2-1437506-7
										4	8134-HC-6P3	2-1437506-5
										2	8134-HC-6P2	2-1437506-4
										4	8134-HC-5P3	2-1437506-1
										2	8134-HC-5P2	2-1437506-0
										4	8134-HC-14P3	1-1437506-7
										2	8134-HC-14P2	1-1437506-6
										4	8134-HC-12P3	1-1437506-4
										2	8134-HC-12P2	1-1437506-3
										9	8134-HC-8P3LF	8-1437514-8
										9	8134-HC-27P4	6-1437514-5
										4	8134-HC-27P3	4-147699-4
										2	8134-HC-14P3	6-1437514-2
										21	8134-HC-14P2	6-1437514-1
										4	8134-HC-12P3	6-1437514-0
										19	8134-HC-12P3LF	8-1437514-9
										3	M83505/6-004/5	7-1437514-9
										2	8134-HC-12P2	5-1437514-9
										4	8134-HC-8P3	7-1437514-1
										3	M83505/6-003/5	8-1437514-2
										2	8134-HC-8P2	7-1437514-0
										19	8134-HC-6P3LF	9-1437514-1
										4	8134-HC-6P3	6-1437514-9
										3	M83505/6-002/5	8-1437514-1
										2	8134-HC-6P2	6-1437514-8
										19	8134-HC-5P3LF	9-1437514-0
										4	8134-HC-5P3	6-1437514-7
										3	M83505/6-001/5	8-1437514-0
										2	8134-HC-5P2	6-1437514-6
G	F	E	D	C	B	A	PACKAGE QUANTITY	RECOMMENDED LEAD SIZE	MILITARY PART NUMBER	FINISH	AUGAT PART NUMBER (REF)	PART NUMBER

THIS DRAWING IS A CONTROLLED DOCUMENT.

DIMENSIONS: mm

TOLERANCES UNLESS OTHERWISE SPECIFIED:

0. PLC	±	-
1. PLC	±	-
2. PLC	±	0.13 [.005]
3. PLC	±	-
4. PLC	±	-
ANGLES	±	-

MATERIAL: 1

SEE TABLE

THIS DRAWING IS A CONTROLLED DOCUMENT.

DIN M. BINNER 16MAY01

CHK: J. MOSIER

APVD: -

NAME: -

PRODUCT SPEC: 108-1979

APPLICATION SPEC: 114-13033

WEIGHT: -

CUSTOMER DRAWING

SCALE: NTS

SHEET: 1 of 1

REV: C2

STE TE Connectivity

HOLTITE CONTACTS

SIZE: A1

CAGE CODE: 00779

DRAWING NO: 147699