



Chipsmall Limited consists of a professional team with an average of over 10 year of expertise in the distribution of electronic components. Based in Hongkong, we have already established firm and mutual-benefit business relationships with customers from,Europe,America and south Asia,supplying obsolete and hard-to-find components to meet their specific needs.

With the principle of “Quality Parts,Customers Priority,Honest Operation,and Considerate Service”,our business mainly focus on the distribution of electronic components. Line cards we deal with include Microchip,ALPS,ROHM,Xilinx,Pulse,ON,Everlight and Freescale. Main products comprise IC,Modules,Potentiometer,IC Socket,Relay,Connector.Our parts cover such applications as commercial,industrial, and automotives areas.

We are looking forward to setting up business relationship with you and hope to provide you with the best service and solution. Let us make a better world for our industry!



Contact us

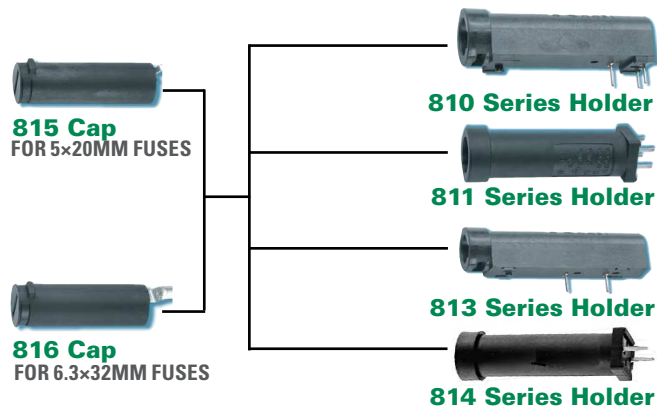
Tel: +86-755-8981 8866 Fax: +86-755-8427 6832

Email & Skype: info@chipsmall.com Web: www.chipsmall.com

Address: A1208, Overseas Decoration Building, #122 Zhenhua RD., Futian, Shenzhen, China

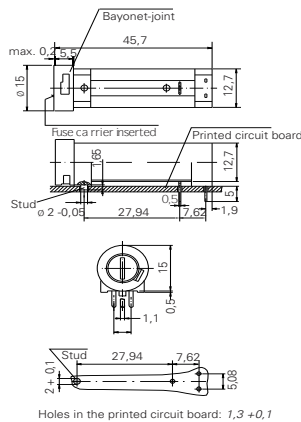


810/811/813/814 Series Circuit Board Mount Enclosed Fuse Holders

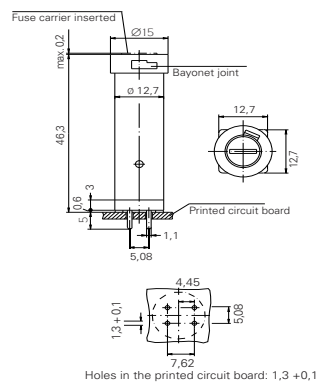


Dimensions

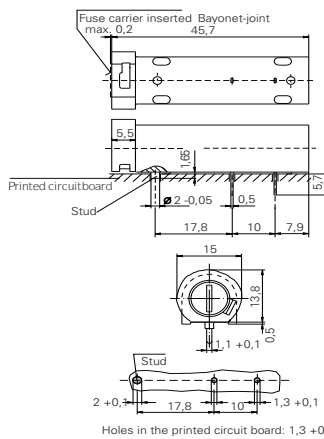
810 Series



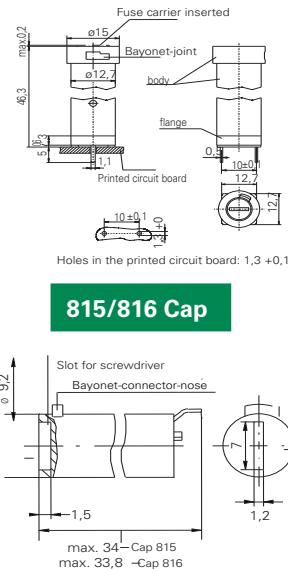
811 Series



813 Series



814 Series






815/816 Cap

Product Characteristics

	810 Series	811 Series	813 Series	814 Series
Compatible Fuse Types	5x20mm 6.3x32mm	5x20mm 6.3x32mm	5x20mm 6.3x32mm	5x20mm 6.3x32mm
Materials	Holder/Cap: Black Thermoplastic, UL94 V-0			
	Metal Parts: Copper alloy, corrosion protected			
	Terminals: Solderable, tinned			
Electrical Data (23°C)	Rated Voltage: 250V			
	Rated Current: 6.3A (VDE) 16A (UL/CSA)			
	Rated Power: 2.5W (VDE)	Rated Power: 1.6W (813+815 - VDE) 2.5W (813+816 - VDE)		Rated Power: 2.5W (813+816 - VDE)
Mounting	(3) Solder pins 0.5mm × 1.1mm and plastic stud. The pins spaced at 5.08mm form a common connection.	(4) Solder pins 0.5mm × 1.1mm. The pins spaced at 5.08mm form a common connection.	(2) Solder pins 0.5mm × 1.1mm and plastic stud	(2) Solder pins 0.5mm × 1.1mm
Protection Class & Category	IP 40 (IEC 60529) PC2 (IEC 60127-6)			
Operating Temperature	-25 °C to 70 °C			
Climatic Test	-25°C/+70°C/21 days (IEC 60068-2-1...3)			
Stock Conditions	+10°C to +60°C relative humidity ≤ 75% yearly average, without dew, maximum value for 30 days - 95%			
Vibration Resistance	24 cycles at 15 min. each (IEC 60068-2-6) 10 - 60Hz at 0.75mm amplitude 60 - 2000Hz at 10g acceleration			
Contact Resistance	≤ 5mΩ			
Dielectric Strength	> 1.5 kV			
Impulse Voltage	4 kV, 50 Hz, 1 min., dry			
Insulation Resistance	> 10 ⁹ MΩ (500 VDC, 1 min.)			
Solderability	235°C, 3 sec. (Wave) 350°C, 1 sec. (Soldering Iron)			
Soldering Heat Resistance	260°C, 5 sec. (IEC 60068-2-20)			
Min Cross Section	Conducting path - 0.2mm ²			
Marking	810, 250V, Approvals	811, 250V, Approvals	813, 250V, Approvals	814, 250V, Approvals
Unit Weight	5.4g (Holder) / 2.5g (Cap)	5.2g (Holder) / 2.5g (Cap)	5.8g (Holder) / 2.5g (Cap)	4.6g (Holder) / 25g (Cap)

Agency approvals and ordering information is included on the next page.

Agency Approvals

Agency	Agency File Number			
	810 Series	811 Series	813 Series	814 Series
	118611	120642	118349	118347
	E 70164	E 70164	E70164	E70164
	47574	47574	47574	47574

Ordering Information

Description	Ordering Number	Packaging
Cap, 5x20 mm	815 0000 0005	Bulk 100
Cap, 6.3x32 mm	816 0000 0005	Bulk 100
810 Series Holder	810 0000 0005	Bulk 100
811 Series Holder	811 0000 0005	Bulk 100
813 Series Holder	813 0000 0005	Bulk 100
814 Series Holder	814 0000 0005	Bulk 100

Additional Information



Datasheet
810 Series



Resources
810 Series



Samples
810 Series



Datasheet
811 Series



Resources
811 Series



Samples
811 Series



Datasheet
813 Series



Resources
813 Series



Samples
813 Series



Datasheet
814 Series



Resources
814 Series



Samples
814 Series