



Chipsmall Limited consists of a professional team with an average of over 10 year of expertise in the distribution of electronic components. Based in Hongkong, we have already established firm and mutual-benefit business relationships with customers from,Europe,America and south Asia,supplying obsolete and hard-to-find components to meet their specific needs.

With the principle of "Quality Parts,Customers Priority,Honest Operation,and Considerate Service",our business mainly focus on the distribution of electronic components. Line cards we deal with include Microchip,ALPS,ROHM,Xilinx,Pulse,ON,Everlight and Freescale. Main products comprise IC,Modules,Potentiometer,IC Socket,Relay,Connector.Our parts cover such applications as commercial,industrial, and automotives areas.

We are looking forward to setting up business relationship with you and hope to provide you with the best service and solution. Let us make a better world for our industry!



## Contact us

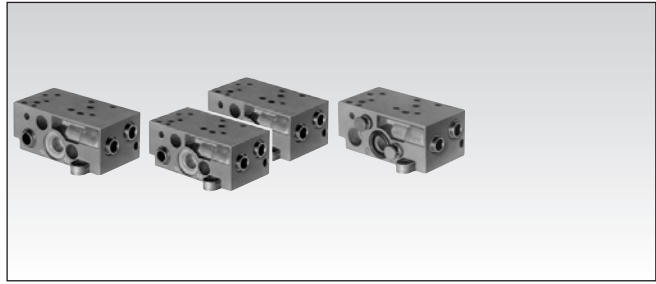
Tel: +86-755-8981 8866 Fax: +86-755-8427 6832

Email & Skype: info@chipsmall.com Web: www.chipsmall.com

Address: A1208, Overseas Decoration Building, #122 Zhenhua RD., Futian, Shenzhen, China



# Sub-bases for miniature control valves



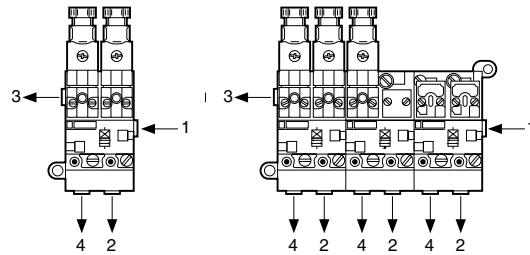
1

## Part numbers

Mounting			Machine (individual) single	Machine (in bank) end bases (pair)	Machine (in bank) intermediate
Version			<b>81 518 010</b>	<b>81 518 110</b>	<b>81 518 210</b>
Connection	push-in for semi-rigid tubing	Ø 6 mm	<b>81 518 020</b>	<b>81 518 120</b>	<b>81 518 220</b>
	tapped	1/8 BSP			

## Characteristics

Mounting			2 screws M4	2 screws M4	2 screws M4
Weight		g	222	444	235
Connections	Pneumatic				



- 1 - Supply
- 2 - Output at rest (NO)
- 3 - Exhaust
- 4 - Output operating (NC)

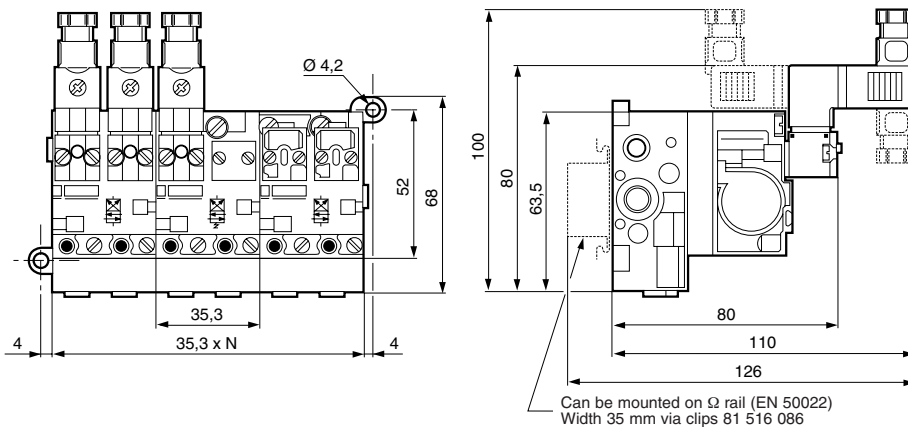
- 1 - Supply common
- 2 - Output at rest (NO)
- 3 - Common exhaust
- 4 - Output operating (NC)

Note:  
can be used with  
'diabolos'

For optimum flow, a  
maximum of 6 valves  
can be mounted on  
the manifold

Note:  
1 set comprising:  
1 supply sub-base  
1 exhaust sub-base

Dimensions with miniature control valves 81 516 (page 5/8) + miniature solenoid valves (page 5/4) + connectors (5/11)



Other information	To order, specify :
	<p><b>Standard products</b></p> <p><b>1</b> Part number</p> <p>Example : Sub-base for miniature control valve - 81 518 010</p>
	<p><b>Standard products, non stocked</b></p>

Products and specifications subject to change without notice.  
Consult factory for application assistance.

204 Airline Drive, Suite 300, Coppell, Texas 75019 / Tel: (888) 778-2733 / FAX: (888) 329-9773 / www.crouzet-usa.com