



Chipsmall Limited consists of a professional team with an average of over 10 year of expertise in the distribution of electronic components. Based in Hongkong, we have already established firm and mutual-benefit business relationships with customers from,Europe,America and south Asia,supplying obsolete and hard-to-find components to meet their specific needs.

With the principle of “Quality Parts,Customers Priority,Honest Operation,and Considerate Service”,our business mainly focus on the distribution of electronic components. Line cards we deal with include Microchip,ALPS,ROHM,Xilinx,Pulse,ON,Everlight and Freescale. Main products comprise IC,Modules,Potentiometer,IC Socket,Relay,Connector.Our parts cover such applications as commercial,industrial, and automotives areas.

We are looking forward to setting up business relationship with you and hope to provide you with the best service and solution. Let us make a better world for our industry!



Contact us

Tel: +86-755-8981 8866 Fax: +86-755-8427 6832

Email & Skype: info@chipsmall.com Web: www.chipsmall.com

Address: A1208, Overseas Decoration Building, #122 Zhenhua RD., Futian, Shenzhen, China



Sub-bases for ISO size 1 control valves 5/2 and 5/3



Part numbers

Single sub-base (with clips) _____
 Single sub-base with side connections _____

81 543 006 **81 543 206**

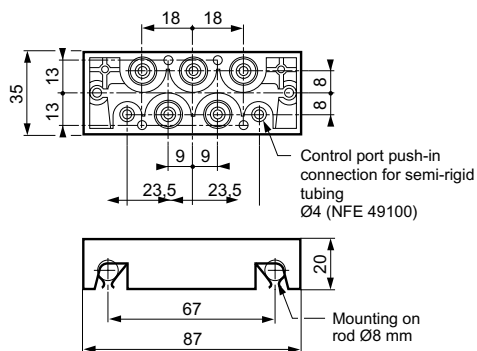
1

Characteristics

Connection	push-in for semi-rigid tubing (NFE49100) tapped hole	Ø 6 mm	Ø 8 mm
Weight	(grams)	950	950

Dimensions

81 543 006 - 81 543 206



- Port
- 1= supply
 - 2= output port at rest
 - 3= exhaust port 2
 - 4= output port on actuation
 - 5= exhaust port of 4
 - 12= rest pilot
 - 14= actuation pilot

use (metric) dimensions for critical data

Other information	To order, specify :				
	<table border="1" style="width: 100%;"> <tr> <td style="background-color: #e0e0e0;">Standard products</td> <td>1 Part number Example : Sub-bases for ISO control valves - 81 543 006</td> </tr> <tr> <td style="background-color: #e0e0e0;">Standard products non-stocked</td> <td></td> </tr> </table>	Standard products	1 Part number Example : Sub-bases for ISO control valves - 81 543 006	Standard products non-stocked	
Standard products	1 Part number Example : Sub-bases for ISO control valves - 81 543 006				
Standard products non-stocked					

Products and specifications subject to change without notice.

Order/Technical Support – Tel: (800) 677-5311 / FAX: (800) 677-3865 / www.crouzet-usa.com