



Chipsmall Limited consists of a professional team with an average of over 10 year of expertise in the distribution of electronic components. Based in Hongkong, we have already established firm and mutual-benefit business relationships with customers from,Europe,America and south Asia,supplying obsolete and hard-to-find components to meet their specific needs.

With the principle of “Quality Parts,Customers Priority,Honest Operation,and Considerate Service”,our business mainly focus on the distribution of electronic components. Line cards we deal with include Microchip,ALPS,ROHM,Xilinx,Pulse,ON,Everlight and Freescale. Main products comprise IC,Modules,Potentiometer,IC Socket,Relay,Connector.Our parts cover such applications as commercial,industrial, and automotives areas.

We are looking forward to setting up business relationship with you and hope to provide you with the best service and solution. Let us make a better world for our industry!



Contact us

Tel: +86-755-8981 8866 Fax: +86-755-8427 6832

Email & Skype: info@chipsmall.com Web: www.chipsmall.com

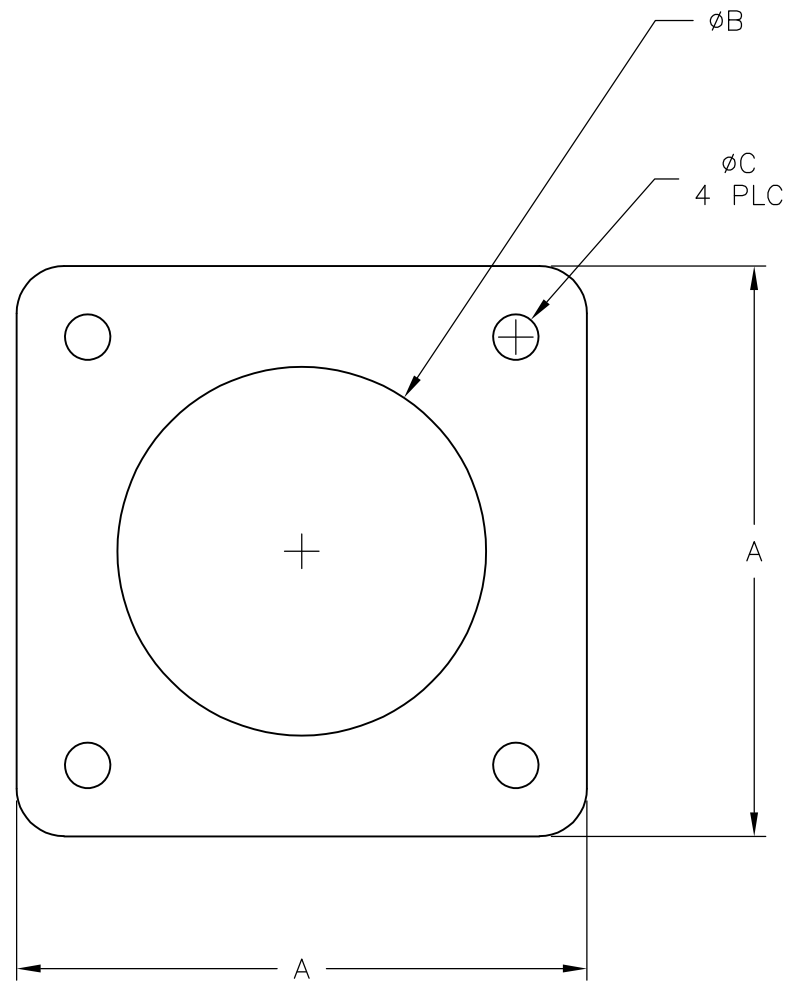
Address: A1208, Overseas Decoration Building, #122 Zhenhua RD., Futian, Shenzhen, China



THIS DRAWING IS UNPUBLISHED. RELEASED FOR PUBLICATION
 © COPYRIGHT - By - ALL RIGHTS RESERVED.

LOC	DIST	REVISIONS			
P	LTR	DESCRIPTION	DATE	DWN	APVD
		C1	REVISED PER ECO-11-004820	11MAR11	RK HMR

NOTES:
 1 MATERIAL: NEOPRENE, BLACK.
 2 PRELIMINARY PART NUMER.



2	.125	1.030	1.185	14	81665-8
2	.120	1.110	1.530	22	81665-7
2	.142	1.492	1.950	28	81665-6
	.145	1.488	1.875	23	81665-5
	.120	.862	1.375	13	81665-4
	.120	.737	1.188	11	81665-3
	.145	1.100	1.500	17	81665-2
	.120	.970	1.500	-	81665-1
	C	B	A	CPC SHELL SIZE	PART NO.

THIS DRAWING IS A CONTROLLED DOCUMENT.		DWN S SCHLEGEL 16JUL03	TE Connectivity			
DIMENSIONS: INCHES		CHK S HEADER 7/16/03				
		APVD S HEADER 7/16/03	NAME GASKET, FLANGE, CPC			
TOLERANCES UNLESS OTHERWISE SPECIFIED: 0 PLC ± - 1 PLC ± - 2 PLC ± - 3 PLC ± .015 4 PLC ± - ANGLES ± -		PRODUCT SPEC -	-			
MATERIAL - 1		APPLICATION SPEC -	SIZE A3	CAGE CODE 00779	DRAWING NO C-81665	RESTRICTED TO -
FINISH -		WEIGHT -	CUSTOMER DRAWING		SCALE NTS	SHEET 1 OF 1
					REV C1	