



Chipsmall Limited consists of a professional team with an average of over 10 year of expertise in the distribution of electronic components. Based in Hongkong, we have already established firm and mutual-benefit business relationships with customers from,Europe,America and south Asia,supplying obsolete and hard-to-find components to meet their specific needs.

With the principle of “Quality Parts,Customers Priority,Honest Operation,and Considerate Service”,our business mainly focus on the distribution of electronic components. Line cards we deal with include Microchip,ALPS,ROHM,Xilinx,Pulse,ON,Everlight and Freescale. Main products comprise IC,Modules,Potentiometer,IC Socket,Relay,Connector.Our parts cover such applications as commercial,industrial, and automotives areas.

We are looking forward to setting up business relationship with you and hope to provide you with the best service and solution. Let us make a better world for our industry!



## Contact us

Tel: +86-755-8981 8866 Fax: +86-755-8427 6832

Email & Skype: info@chipsmall.com Web: www.chipsmall.com

Address: A1208, Overseas Decoration Building, #122 Zhenhua RD., Futian, Shenzhen, China

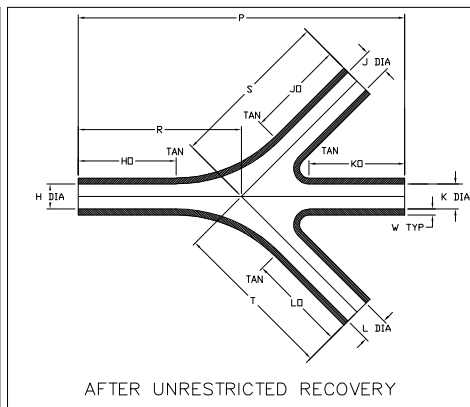
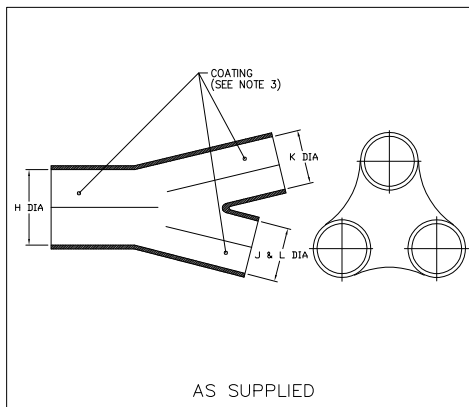


# Molded Parts Specification Control Drawing

Part Number : 462A421 thru 423  
Description : Slimline Transition, 4 Entry

## NOTES

- All dimensions are in  $\frac{\text{inches}}{\text{[millimeters]}}$
- Dimensions appearing in table are as follows:
  - a - As Supplied
  - b - After Unrestricted Recovery
- Coating is optional. As supplied dimensions appearing in table are for uncoated parts. When coating is added, entry diameters will be reduced by .06 max.



| PART NUMBER | H              |               | J, K & L       |               | HO, JO, KO & LO<br>±15%<br>b | W<br>Nom<br>b | P<br>Nom<br>b   | R, S & T<br>Nom<br>b |
|-------------|----------------|---------------|----------------|---------------|------------------------------|---------------|-----------------|----------------------|
|             | Min<br>a       | Max<br>b      | Min<br>a       | Max<br>b      |                              |               |                 |                      |
| 462A421     | .78<br>[19,8]  | .26<br>[6,6]  | .52<br>[13,2]  | .26<br>[6,6]  | 1.00<br>[25,4]               | .04<br>[1,0]  | 3.38<br>[85,9]  | 1.69<br>[42,9]       |
| 462A422     | 1.35<br>[34,3] | .45<br>[11,4] | .81<br>[20,6]  | .45<br>[11,4] | 1.62<br>[41,1]               | .05<br>[1,3]  | 5.34<br>[135,6] | 2.67<br>[67,8]       |
| 462A423     | 2.37<br>[60,2] | .79<br>[20,1] | 1.42<br>[36,1] | .79<br>[20,1] | 2.50<br>[63,5]               | .06<br>[1,5]  | 8.16<br>[207,3] | 4.08<br>[103,6]      |



Revision : U1  
Date : 20APR11

Part Number : 462A421 thru 423  
Description : Slimline Transition, 4 Entry

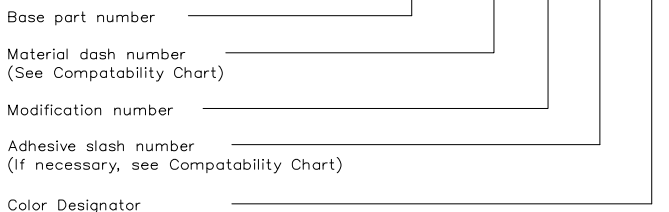
# Molded Parts Specification Control Drawing

Part Number : 462A421 thru 423  
Description : Slimline Transition, 4 Entry

| MATERIAL DASH NO. | MATERIAL DESCRIPTION   | RT SPEC        | COATING SLASH NO. | COATING S NO. | COATING DESCRIPTION |
|-------------------|------------------------|----------------|-------------------|---------------|---------------------|
| -50               | Flexible, VPB          | RT-1313        | N/A               |               |                     |
| -51               | Flexible, EPB          | RT-1321        | /164              | S-1124        | Adhesive            |
| -71               | Flexible, Polyolefin   | RT-1316        | /42,/86           | S-1017,S-1048 | Adhesive            |
| -125              | Modified Fluoropolymer | RT-1334        | N/A               |               |                     |
| -770              | NBCCS                  | RT-770 TYPE II | N/A               |               |                     |
| -780              | NBCCS                  | RT-780 TYPE II | N/A               |               |                     |

## ORDERING INFORMATION

462A4XX -XXX -XX /XXX -0



**IF THIS DOCUMENT IS PRINTED IT BECOMES UNCONTROLLED.  
CHECK FOR THE LATEST REVISION.**

THIS DRAWING IS SUBJECT TO CHANGE WITHOUT NOTICE; CONSULT YOUR NEAREST FIELD REPRESENTATIVE FOR CURRENT REVISION



Revision : U1  
Date : 20APR11

Part Number : 462A421 thru 423  
Description : Slimline Transition, 4 Entry