



Chipsmall Limited consists of a professional team with an average of over 10 year of expertise in the distribution of electronic components. Based in Hongkong, we have already established firm and mutual-benefit business relationships with customers from,Europe,America and south Asia,supplying obsolete and hard-to-find components to meet their specific needs.

With the principle of “Quality Parts,Customers Priority,Honest Operation,and Considerate Service”,our business mainly focus on the distribution of electronic components. Line cards we deal with include Microchip,ALPS,ROHM,Xilinx,Pulse,ON,Everlight and Freescale. Main products comprise IC,Modules,Potentiometer,IC Socket,Relay,Connector.Our parts cover such applications as commercial,industrial, and automotives areas.

We are looking forward to setting up business relationship with you and hope to provide you with the best service and solution. Let us make a better world for our industry!



Contact us

Tel: +86-755-8981 8866 Fax: +86-755-8427 6832

Email & Skype: info@chipsmall.com Web: www.chipsmall.com

Address: A1208, Overseas Decoration Building, #122 Zhenhua RD., Futian, Shenzhen, China



NOTES: UNLESS OTHERWISE SPECIFIED

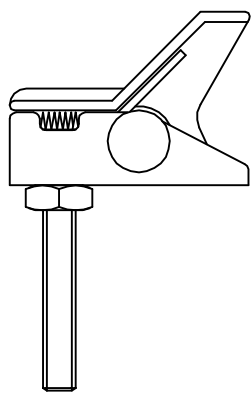
1. CONSTRUCTION:

LEVER: MOLDED NYLON. AVAILABLE IN TEN COLORS.
 NEEDLE CLUSTER: BRASS CUP HEAD. STEEL NEEDLES.
 BRIGHT TIN PLATED.
 FRAME: STEEL. COPPER, NICKEL & TIN PLATED.
 HARDWARE: STEEL NUT. 8-32. TRIVALENT STEEL.

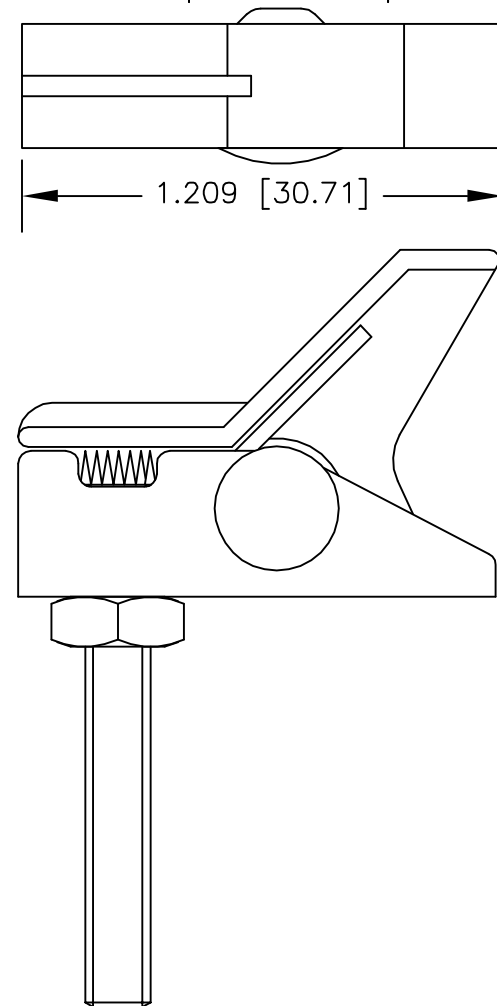
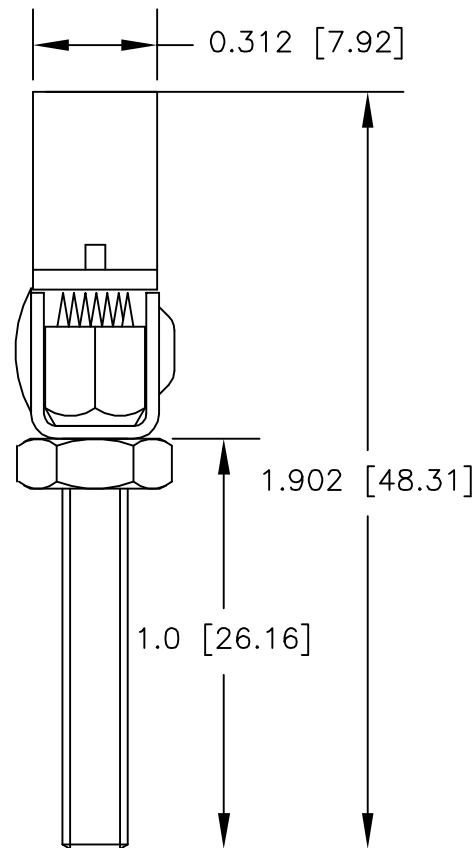
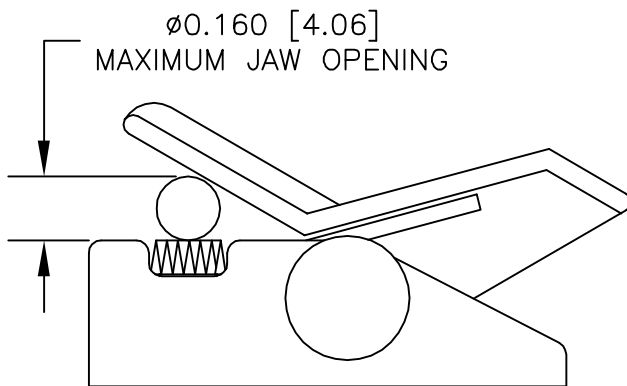
2. PERFORMANCE:

MAXIMUM CURRENT: 500 mA
 MAXIMUM VOLTAGE: 0 V
 MAXIMUM TEMPERATURE: 200°F (93°C)

LTR		DESCRIPTION	REVISIONS	DATE	APPROVED
-----	--	-------------	-----------	------	----------



ACTUAL SIZE



		UNLESS OTHERWISE SPECIFIED DIMENSIONS ARE IN INCHES TOLERANCES ARE: FRACTIONS DECIMALS ANGLES ± .XX ± ± .XXX ±	CONTRACT NO.		E-Z-HOOK DIVISION OF TEKTEST INC. ARCADIA, CA 91006 U.S.A.			
			APPROVALS	DATE				
		MATERIAL SEE NOTE.	DRAWN	R.L.	DESCRIPTION INSULATION PIERCING WIRE CLAMP			
			APPROVED BY			SIZE	CODE IDENT NO.	DRAWING NO.
NEXT ASSY		FINISH SEE NOTE.			A	08505	82-2	
USED ON			APPLICATION	DO NOT SCALE DRAWING		SCALE		2:1

THE INFORMATION CONTAINED IN THIS DOCUMENT IS PROPRIETARY TO E-Z-HOOK. THE INFORMATION IS NOT TO BE REPRODUCED WITHOUT PRIOR WRITTEN PERMISSION OF E-Z-HOOK, DIV. OF TEKTEST INC. MAXIMUM TESTED RATINGS IN A HANDS-FREE CONTROLLED ENVIRONMENT. MAXIMUM RATINGS ARE NOT TO BE USED CONCURRENTLY.