



Chipsmall Limited consists of a professional team with an average of over 10 year of expertise in the distribution of electronic components. Based in Hongkong, we have already established firm and mutual-benefit business relationships with customers from,Europe,America and south Asia,supplying obsolete and hard-to-find components to meet their specific needs.

With the principle of "Quality Parts,Customers Priority,Honest Operation,and Considerate Service",our business mainly focus on the distribution of electronic components. Line cards we deal with include Microchip,ALPS,ROHM,Xilinx,Pulse,ON,Everlight and Freescale. Main products comprise IC,Modules,Potentiometer,IC Socket,Relay,Connector.Our parts cover such applications as commercial,industrial, and automotives areas.

We are looking forward to setting up business relationship with you and hope to provide you with the best service and solution. Let us make a better world for our industry!



## Contact us

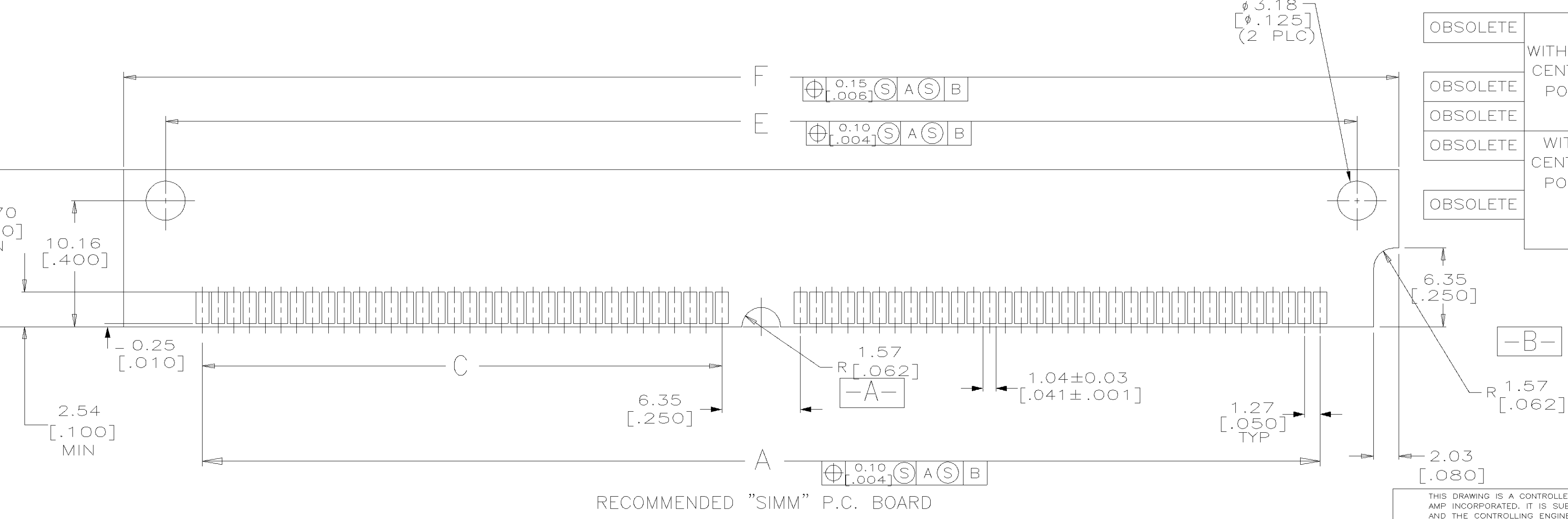
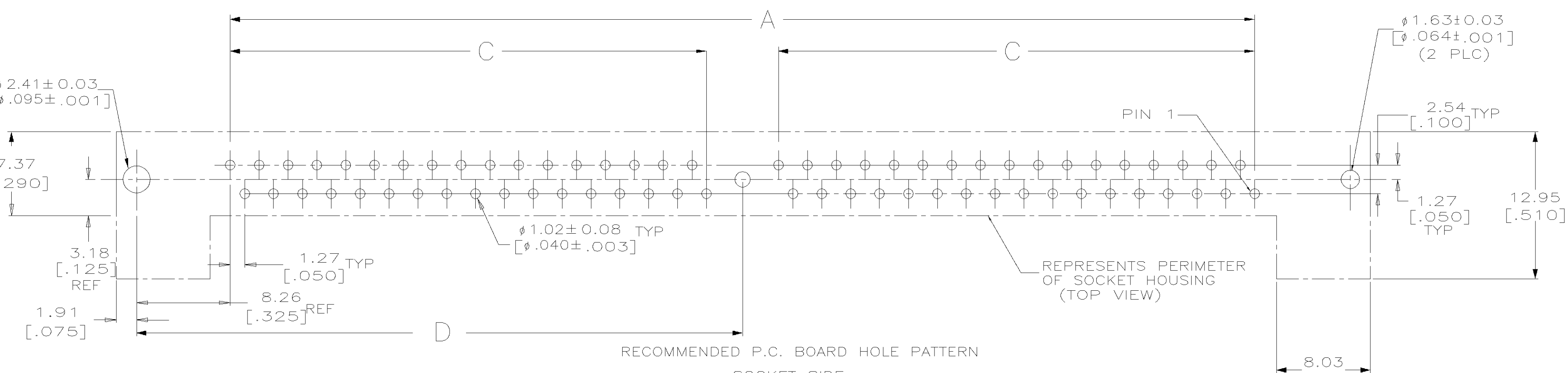
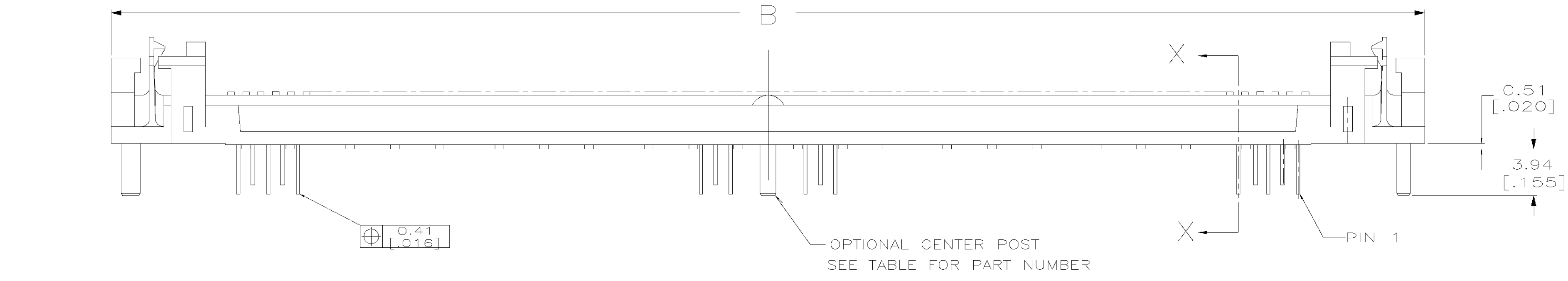
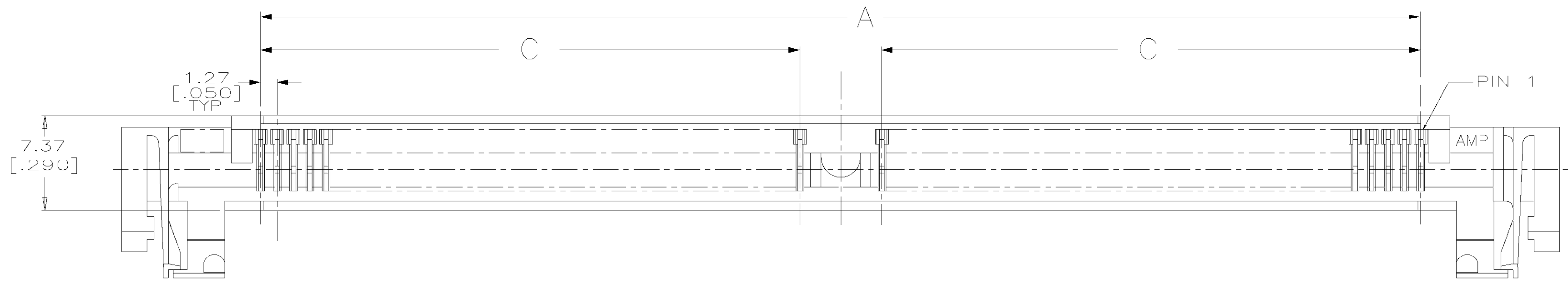
Tel: +86-755-8981 8866 Fax: +86-755-8427 6832

Email & Skype: info@chipsmall.com Web: www.chipsmall.com

Address: A1208, Overseas Decoration Building, #122 Zhenhua RD., Futian, Shenzhen, China

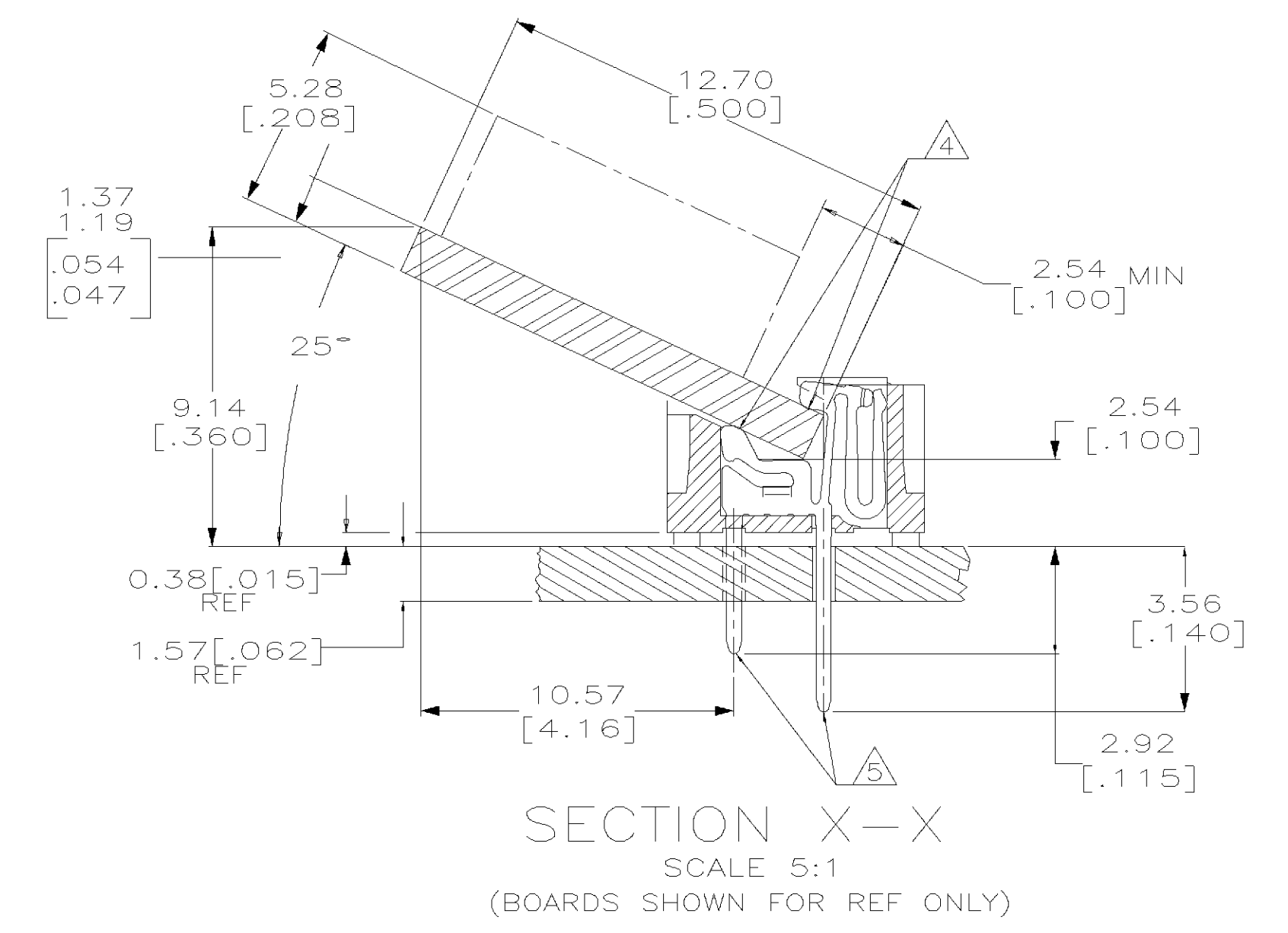


LOC	DIST	P	F	ZONE	LTR	REVISIONS	DATE	APPD
AG	53				R	REVISED PER 0440-0089-97	7-15-97	AH
					S	REV PER 051D-0084-00	16JUL00	MB



AMP 1756-3 REV 3-92  
 16-AUG-00 15:44:06 amp11756 /s/mods/mod/mod02321/Item1

- △ HOUSING-MATERIAL : LIQUID-CRYSTAL-POLYMER.
- △ CONTACT-MATERIAL : PHOS. BRONZE, AMP 100-255.
- △ CONTACT-PLATE 0.00127 [.000050] MIN NICKEL ALL OVER.
- △ CONTACT-PLATE 0.00076 [.000030] MIN. GOLD AT CONTACT PTS.
- △ CONTACT SOLDERDETAILS-PLATE 0.00508 [.000200] MIN TIN/LEAD.
- 6. IN ADDITION TO THOSE RECOMMENDED "SIMM" P.C. BOARD DIMENSIONS AND TOLERANCES SHOWN, ALL JEDEC SPECIFICATIONS APPLY AS SHOWN ON MO-116, ISSUE A.
- 7. RECOMMENDED MATING S.I.M.M. TAB METALLURGY:  
 BASE METAL-COPPER. PLATING TO BE 0.00076 [.000030] MIN GOLD OVER 0.00127 [.000050] MIN NICKEL.
- △ SUPERSEDED BY 821950-5
- △ SUPERSEDED BY 821950-6
- △ SUPERSEDED BY 821950-7
- △ SUPERSEDED BY 821950-8



		F	E	D	C	B	A	NO OF POSN	PART NO
OBSOLETE	WITHOUT CENTER POST	118.11[4.650]	111.35[4.384]	60.96[2.400]	49.53[1.950]	125.73[4.950]	105.41[4.150]	80	821950-8
OBSOLETE	WITHOUT CENTER POST	107.95[4.250]	101.19[3.984]	55.88[2.200]	44.45[1.750]	115.57[4.550]	95.25[3.750]	72	821950-7
OBSOLETE	WITHOUT CENTER POST	102.87[4.050]	96.11[3.784]	53.34[2.100]	41.91[1.650]	110.49[4.350]	90.17[3.550]	68	821950-6
OBSOLETE	WITH CENTER POST	97.79[3.850]	91.03[3.584]	50.80[2.000]	39.37[1.550]	105.41[4.150]	85.09[3.350]	64	821950-5
OBSOLETE	WITH CENTER POST	118.11[4.650]	111.35[4.384]	60.96[2.400]	49.53[1.950]	125.73[4.950]	105.41[4.150]	80	△ 821950-4
OBSOLETE	WITH CENTER POST	107.95[4.250]	101.19[3.984]	55.88[2.200]	44.45[1.750]	115.57[4.550]	95.25[3.750]	72	△ 821950-3
OBSOLETE	WITH CENTER POST	102.87[4.050]	96.11[3.784]	53.34[2.100]	41.91[1.650]	110.49[4.350]	90.17[3.550]	68	△ 821950-2
OBSOLETE	WITH CENTER POST	97.79[3.850]	91.03[3.584]	50.80[2.000]	39.37[1.550]	105.41[4.150]	85.09[3.350]	64	△ 821950-1

DO NOT SCALE PRINT. UNLESS SPECIFIED DIMENSIONS IN mm [INCHES] TOLERANCES ON :  
 2 PLC DEC ± -  
 3 PLC DEC ± 0.13[.005]  
 ANGLES ±

DR 2-15-91 K.SALMON  
 CHK 2-18-91 R.MILLER  
 APPD 2-18-91 J.LAMBERT  
 APPD 2-18-91 E.MCCARTHY  
 PRODUCT SPEC -  
 APPLICATION SPEC -  
 WEIGHT -

**AMP** AMP Incorporated Harrisburg, PA 17105-3508

NAME: CONNECTOR, MICRO-EDGE, .050, LP, GOLD PLATING

SIZE: D CAGE CODE: 00779 DRAWING NO: C-821950

SCALE: 4:1 SHEET: 1 OF 1

THIS DRAWING IS A CONTROLLED DOCUMENT FOR AMP INCORPORATED. IT IS SUBJECT TO CHANGE AND THE CONTROLLING ENGINEERING ORGANIZATION SHOULD BE CONTACTED FOR THE LATEST REVISION.

CUSTOMER DRAWING