



Chipsmall Limited consists of a professional team with an average of over 10 year of expertise in the distribution of electronic components. Based in Hongkong, we have already established firm and mutual-benefit business relationships with customers from,Europe,America and south Asia,supplying obsolete and hard-to-find components to meet their specific needs.

With the principle of “Quality Parts,Customers Priority,Honest Operation,and Considerate Service”,our business mainly focus on the distribution of electronic components. Line cards we deal with include Microchip,ALPS,ROHM,Xilinx,Pulse,ON,Everlight and Freescale. Main products comprise IC,Modules,Potentiometer,IC Socket,Relay,Connector.Our parts cover such applications as commercial,industrial, and automotives areas.

We are looking forward to setting up business relationship with you and hope to provide you with the best service and solution. Let us make a better world for our industry!



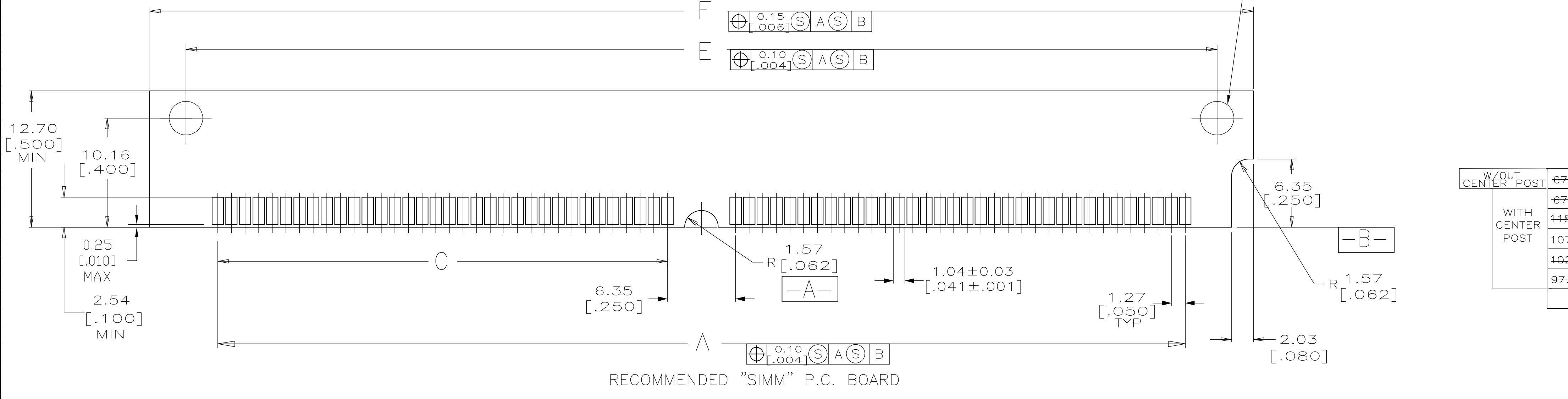
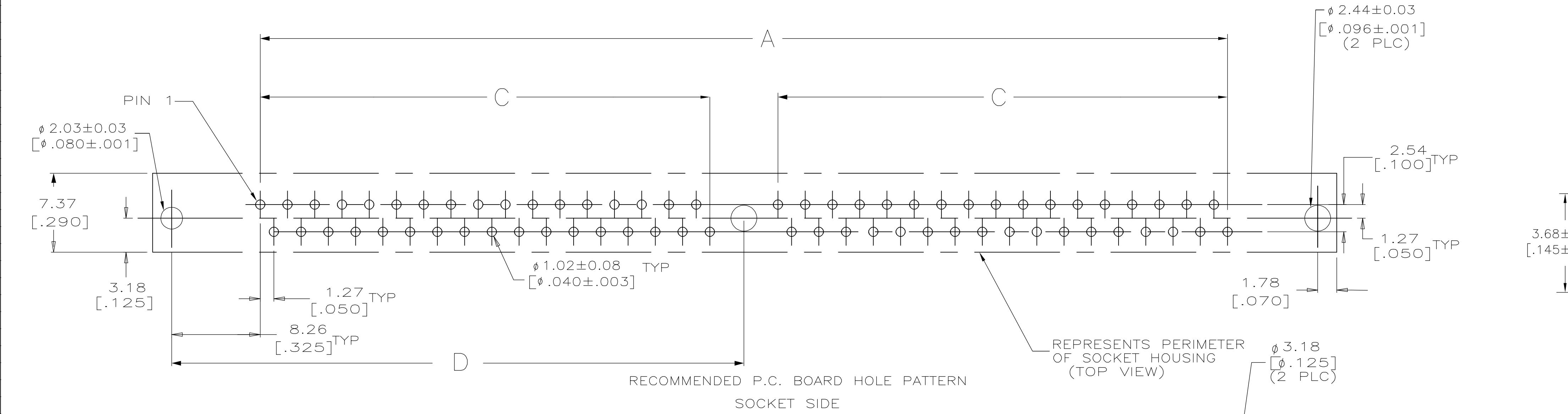
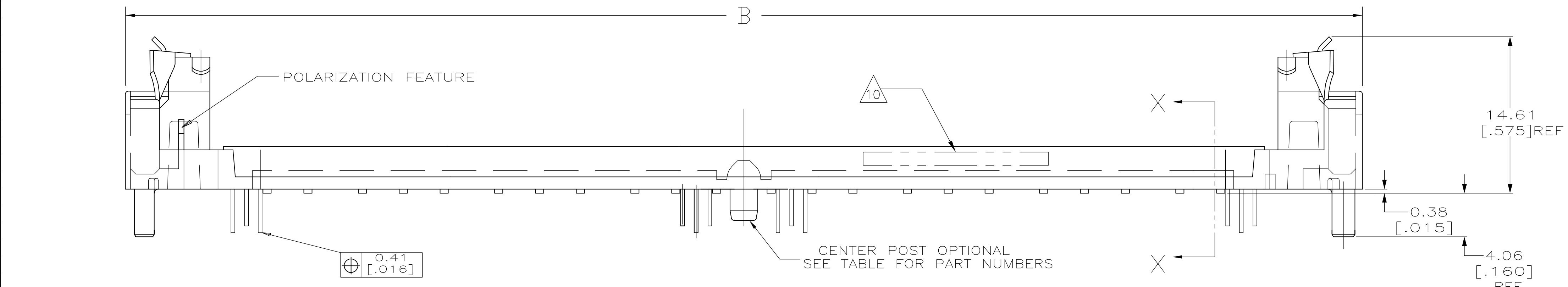
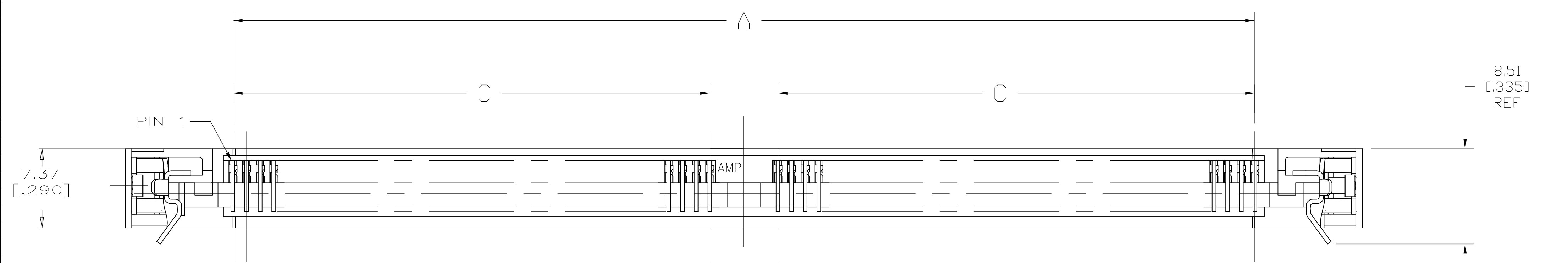
Contact us

Tel: +86-755-8981 8866 Fax: +86-755-8427 6832

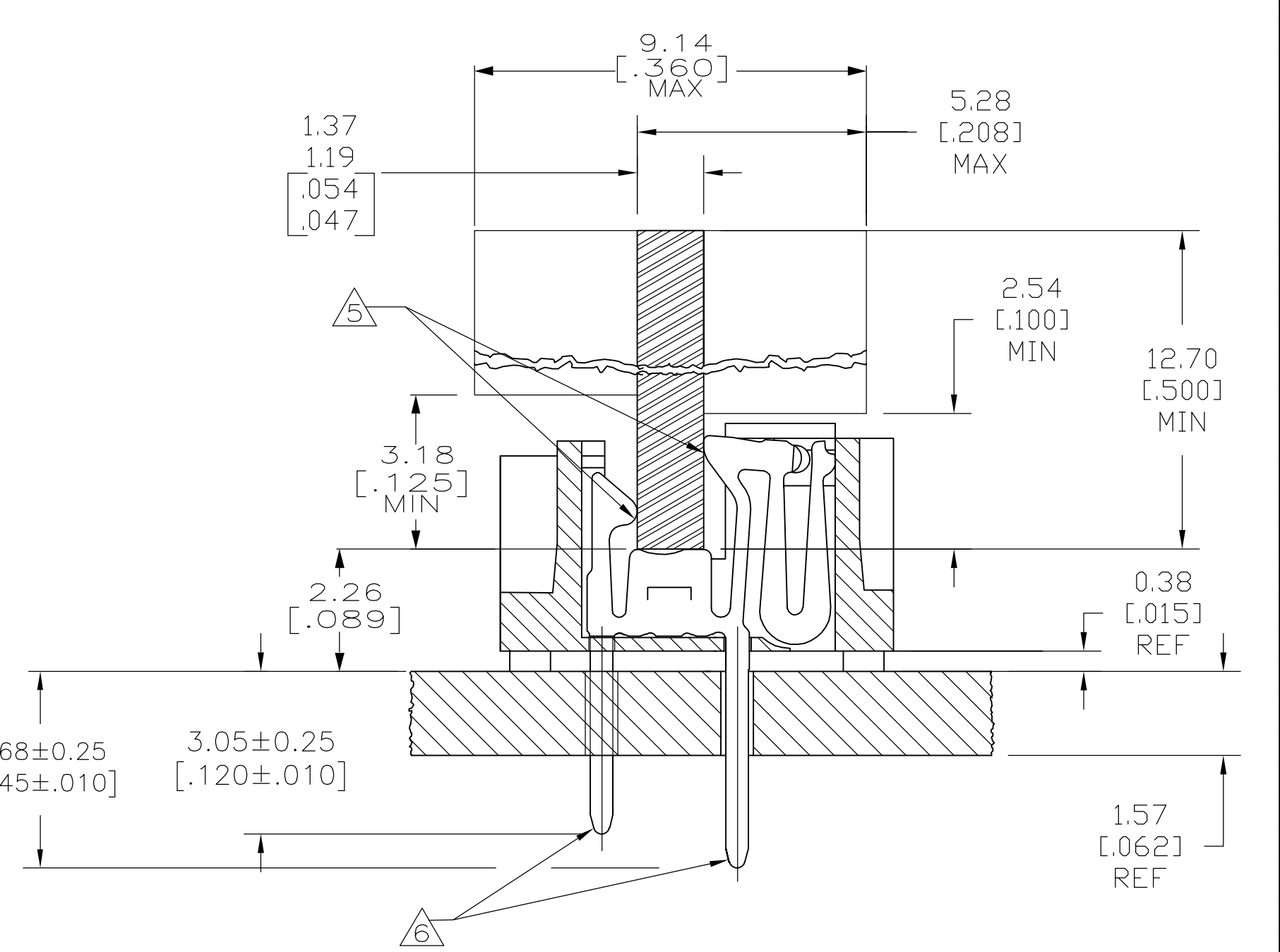
Email & Skype: info@chipsmall.com Web: www.chipsmall.com

Address: A1208, Overseas Decoration Building, #122 Zhenhua RD., Futian, Shenzhen, China





- △ HOUSING-MATERIAL : LIQUID-CRYSTAL-POLYMER, COLOR:NATURAL.
 - △ CONTACT-MATERIAL : PHOS. BRONZE.
 - △ LATCH-MATERIAL : BRASS, NICKEL PLATE.
 - △ CONTACT-PLATE 0.00127 [0.00050] MIN NICKEL ALL OVER.
 - △ CONTACT-PLATE 0.00076[0.00030] MIN. GOLD AT CONTACT PTS.
 - △ CONTACT SOLDER-TAILS-PLATE 0.00508[0.00200] MIN TIN/LEAD.
7. IN ADDITION TO THOSE RECOMMENDED "SIMM" P.C. BOARD DIMENSIONS AND TOLERANCES SHOWN, ALL JEDEC SPECIFICATIONS APPLY AS SHOWN ON MO-116, ISSUE A.
8. RECOMMENDED MATING S.I.M.M. TAB METALLURGY:
 BASE METAL-COPPER. PLATING TO BE 0.00076[0.00030] MIN GOLD OVER 0.00127[0.00050] MIN NICKEL.
- △ OBSOLETE.
- △ DATE CODE: (YEAR WEEK) XXXX FORMAT, LOCATED APPROXIMATELY AS SHOWN ON OPPOSITE SIDE.



W/OUT CENTER POST	F	E	D	C	B	A	NO OF POSN	PART NO
67.31[2.650]	60.55[2.384]	35.56[1.400]	24.13[0.950]	74.93[2.950]	54.61[2.150]	40	△	821997-6
67.31[2.650]	60.55[2.384]	35.56[1.400]	24.13[0.950]	74.93[2.950]	54.61[2.150]	40	△	821997-5
118.11[4.650]	111.35[4.384]	60.96[2.400]	49.53[1.950]	125.73[4.950]	105.41[4.150]	80	△	821997-4
107.95[4.250]	101.19[3.984]	55.88[2.200]	44.45[1.750]	115.57[4.550]	95.25[3.750]	72	△	821997-3
102.87[4.050]	96.11[3.784]	53.34[2.100]	41.91[1.650]	110.49[4.350]	90.17[3.550]	68	△	821997-2
97.79[3.850]	91.03[3.584]	50.80[2.000]	39.37[1.550]	105.41[4.150]	85.09[3.350]	64	△	821997-1

THIS DRAWING IS A CONTROLLED DOCUMENT.		DIN	SJANOS		Tyco Electronics Corporation	
		DRN	SJANOS		Harrisburg, PA 17105-3608	
DIMENSIONS: mm [INCHES]		TOLERANCES UNLESS OTHERWISE SPECIFIED:		CONNECTOR, MICRO-EDGE, .050, VERTICAL, GOLD PLATE, METAL LATCH		
0 PLC	±	0 PLC	±	APPLICATION SPEC	SIZE	CAGE CODE
1 PLC	±	1 PLC	±	—	A1	00779
2 PLC	±	2 PLC	±	—	—	—
3 PLC	±	3 PLC	±	—	—	—
4 PLC	±	4 PLC	±	—	—	—
ANGLES	±	ANGLES	±	—	—	—
MATERIAL		FINISH		CUSTOMER DRAWING		
				SCALE 4:1 SHEET 1 of 1 REV T		