



Chipsmall Limited consists of a professional team with an average of over 10 year of expertise in the distribution of electronic components. Based in Hongkong, we have already established firm and mutual-benefit business relationships with customers from,Europe,America and south Asia,supplying obsolete and hard-to-find components to meet their specific needs.

With the principle of “Quality Parts,Customers Priority,Honest Operation,and Considerate Service”,our business mainly focus on the distribution of electronic components. Line cards we deal with include Microchip,ALPS,ROHM,Xilinx,Pulse,ON,Everlight and Freescale. Main products comprise IC,Modules,Potentiometer,IC Socket,Relay,Connector.Our parts cover such applications as commercial,industrial, and automotives areas.

We are looking forward to setting up business relationship with you and hope to provide you with the best service and solution. Let us make a better world for our industry!



Contact us

Tel: +86-755-8981 8866 Fax: +86-755-8427 6832

Email & Skype: info@chipsmall.com Web: www.chipsmall.com

Address: A1208, Overseas Decoration Building, #122 Zhenhua RD., Futian, Shenzhen, China



821B RYY - 2 1 3 R 00 1

SERIES
12.00 [0.475]

R = RIGHT ANGLE

OF POSITIONS
(Ex. 02)
SEE CHART A

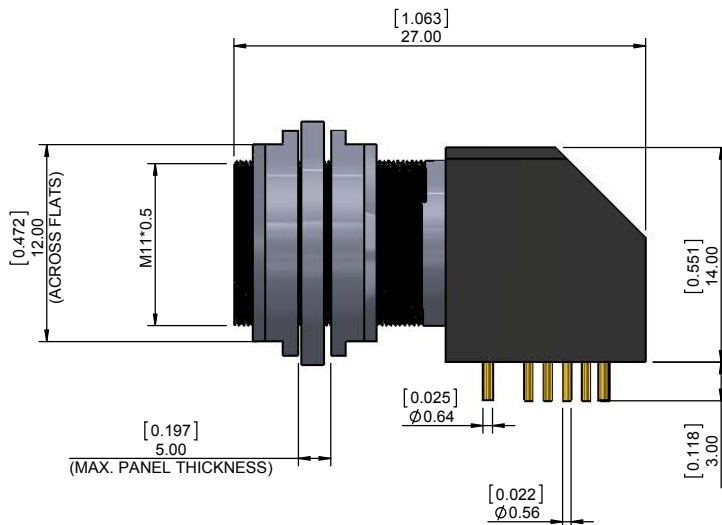
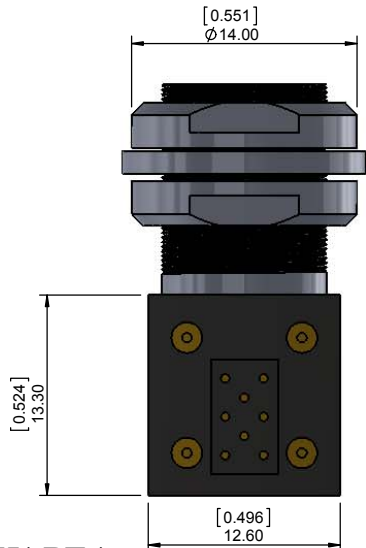
1 = GOLD FLASH

RoHS COMPLIANT

NICKEL/CHROME PLATED SHELL

VERTICAL (PANEL MOUNT)

2 = FEMALE



CHARACTERISTICS

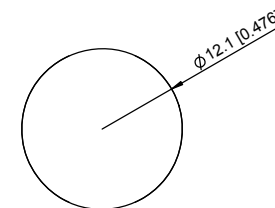
MATERIALS

SHELL : BRASS
SHELL PLATING : NICKEL
NUT : BRASS
NUT PLATING : NICKEL
LATCH SLEEVE : BRASS
LATCH SLEEVE PLATING : NICKEL
CONTACTS : COPPER ALLOY
CONTACT PLATING : 7µ" GOLD PLATED OVER 196µ" NICKEL MIN.
INSULATOR : PPS (HIGH TEMPERATURE)

MECHANICAL

DURABILITY: 5000 CYCLES
OPERATING TEMP. RANGE: -40 °C ~ +200 °C
PROCESS TEMPERATURE : 260 °C FOR 5 SECONDS
MAX. TORQUE VALUE : 4.5 Nm [39 IN/lbs]
SHIELDING: 75dB @ 10MHz
40dB @ 1GHz

IP RATING : 50



PANEL CUTOUT

TOLERANCE = +0.10, -0.0
[+0.004, -0.00]

CHART A

● = KEY LOCATION

VIEW FROM MATING FACE

 2 POSITION 15 AMP MAX. PIN Ø = 1.30 [0.051]	 3 POSITION 12 AMP MAX. PIN Ø = 1.30 [0.051]	 4 POSITION 10 AMP MAX. PIN Ø = 0.90 [0.035]	 5 POSITION 9 AMP MAX. PIN Ø = 0.90 [0.035]	 6 POSITION 7 AMP MAX. PIN Ø = 0.70 [0.028]	 7 POSITION 7 AMP MAX. PIN Ø = 0.70 [0.028]	 8 POSITION 5 AMP MAX. PIN Ø = 0.70 [0.028]
CONTACT RESISTANCE = 5 mΩ TEST VOLTAGE = 1500V WORKING VOLTAGE = 500V	CONTACT RESISTANCE = 5 mΩ TEST VOLTAGE = 1300V WORKING VOLTAGE = 430V	CONTACT RESISTANCE = 6 mΩ TEST VOLTAGE = 1300V WORKING VOLTAGE = 430V	CONTACT RESISTANCE = 6 mΩ TEST VOLTAGE = 1250V WORKING VOLTAGE = 415V	CONTACT RESISTANCE = 7.5 mΩ TEST VOLTAGE = 1050V WORKING VOLTAGE = 350V	CONTACT RESISTANCE = 7.5 mΩ TEST VOLTAGE = 950V WORKING VOLTAGE = 315V	CONTACT RESISTANCE = 7.5 mΩ TEST VOLTAGE = 950V WORKING VOLTAGE = 315V

****NOTE****

SEE PAGE 2 FOR BOARD LAYOUTS

RoHS COMPLIANT



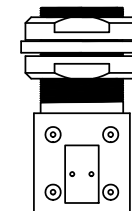
THESE DRAWINGS AND SPECIFICATIONS ARE THE PROPERTY OF No rComp AND SHALL NOT BE REPRODUCED, COPIED OR USED AS THE BASIS FOR THE MANUFACTURE OR SALE OF APPARATUS WITHOUT WRITTEN PERMISSION.

No rComp

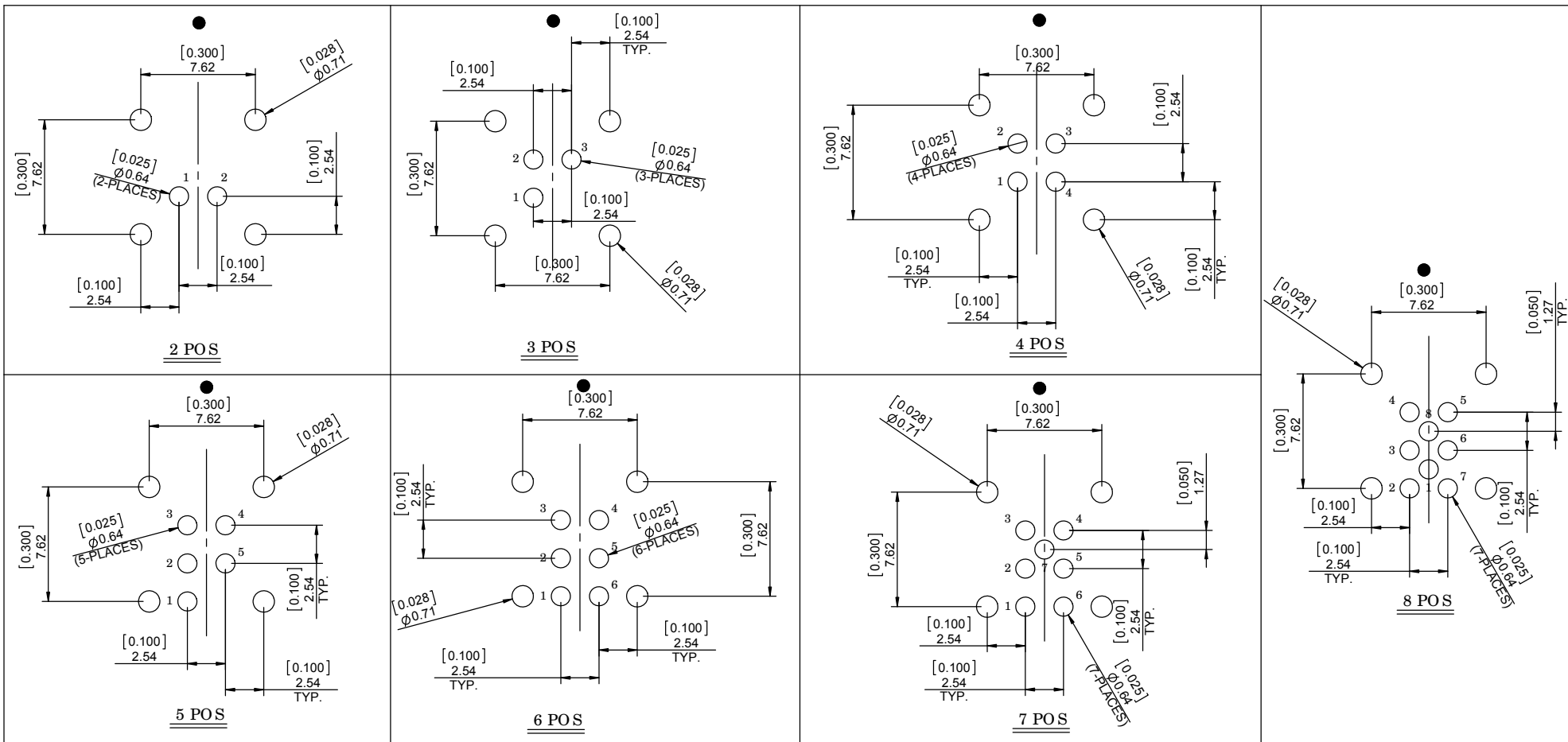
DRAWN: M. SIGMON	DATE: 02-15-16	SCALE: N.T.S.	SHEET 1 OF 2	REV: 1
CHECKED:	DATE:		DWG NO. 821BRYY-213R001	

BOARD LAYO UTS

● = KEY LOC ATION



VIEW SHOWN FOR
C ONN EC TO R O R I EN T A T I O N



RoHS COMPLIANT



THESE DRAWINGS AND SPECIFICATIONS ARE THE PROPERTY OF No rC o m p AND SHALL NOT BE REPRODUCED, COPIED OR USED AS THE BASIS FOR THE MANUFACTURE OR SALE OF APPARATUS WITHOUT WRITTEN PERMISSION.

No rC o m p

DRAWN: M. SIGMON	DATE: 02-15-16	SCALE: N.T.S.	SHEET OF 2 2	REV: 1
CHECKED:	DATE:		DWG NO. 821BRYY-213R001	