



Chipsmall Limited consists of a professional team with an average of over 10 year of expertise in the distribution of electronic components. Based in Hongkong, we have already established firm and mutual-benefit business relationships with customers from,Europe,America and south Asia,supplying obsolete and hard-to-find components to meet their specific needs.

With the principle of "Quality Parts,Customers Priority,Honest Operation,and Considerate Service",our business mainly focus on the distribution of electronic components. Line cards we deal with include Microchip,ALPS,ROHM,Xilinx,Pulse,ON,Everlight and Freescale. Main products comprise IC,Modules,Potentiometer,IC Socket,Relay,Connector.Our parts cover such applications as commercial,industrial, and automotives areas.

We are looking forward to setting up business relationship with you and hope to provide you with the best service and solution. Let us make a better world for our industry!



Contact us

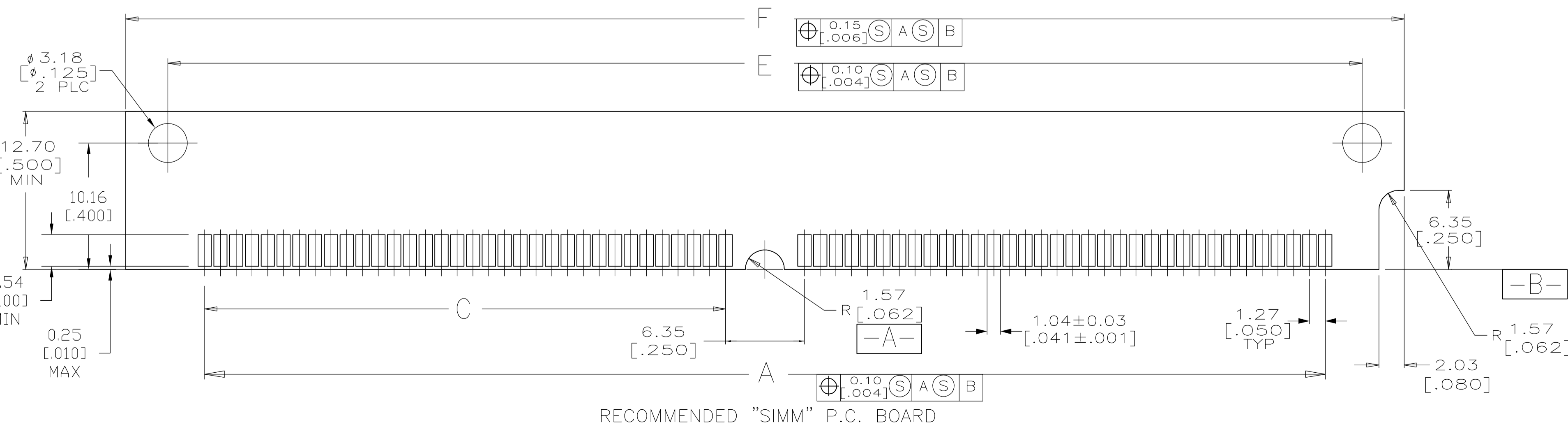
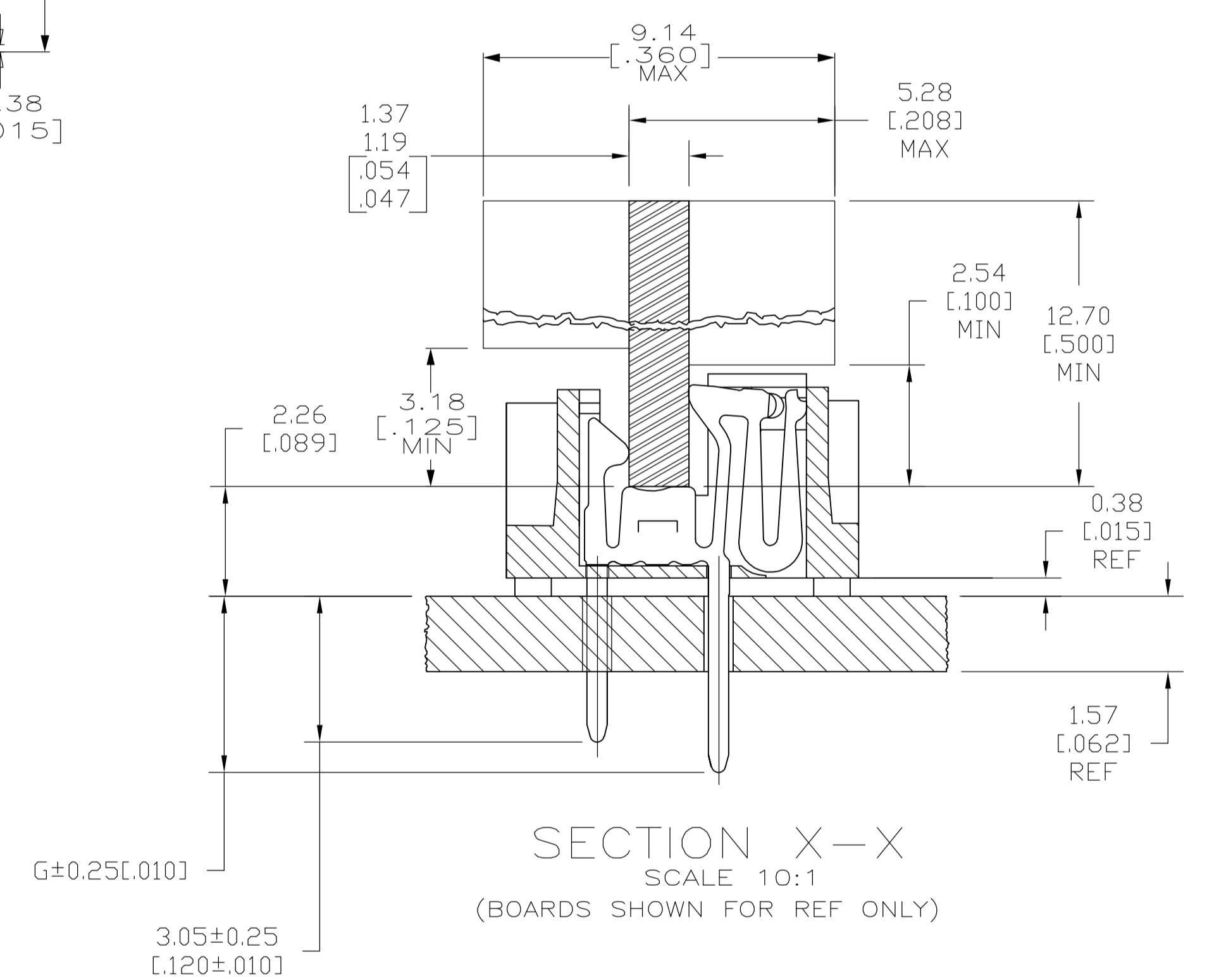
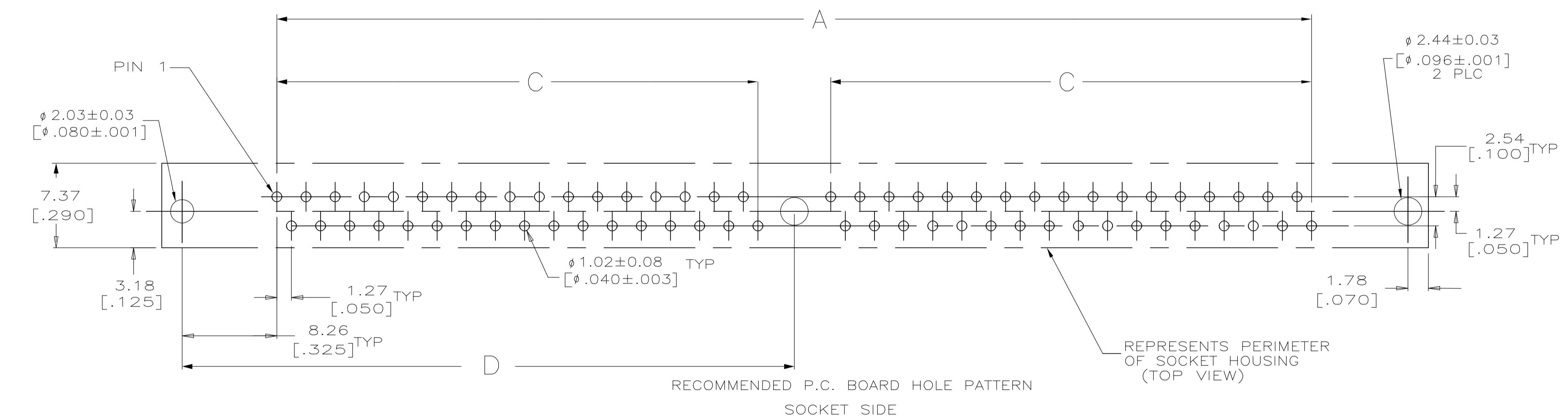
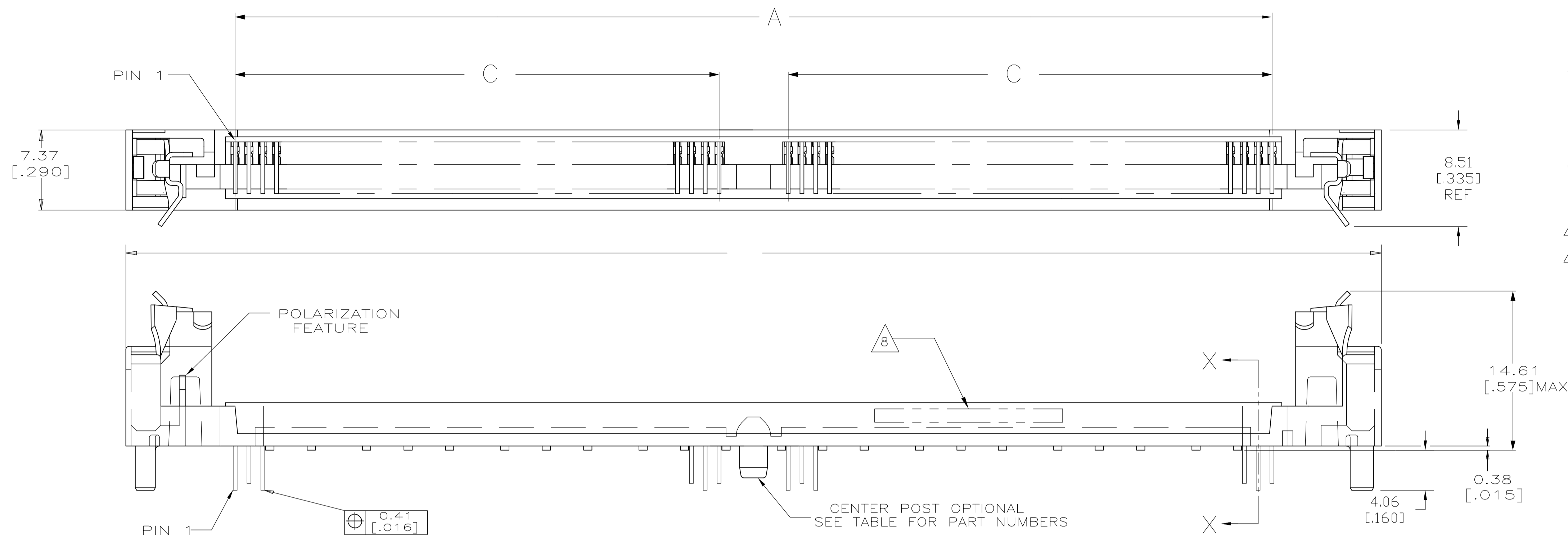
Tel: +86-755-8981 8866 Fax: +86-755-8427 6832

Email & Skype: info@chipsmall.com Web: www.chipsmall.com

Address: A1208, Overseas Decoration Building, #122 Zhenhua RD., Futian, Shenzhen, China



- △ HOUSING—MATERIAL : LIQUID-CRYSTAL-POLYMER.
- △ CONTACT—MATERIAL : PHOS. BRONZE.
- △ LATCH—MATERIAL : BRASS, NICKEL PLATE.
- △ CONTACT—PLATE: 0.00508[.000200] MIN. TIN/LEAD OVER 0.00127 [.000050] MIN NICKEL.
- 5. IN ADDITION TO THOSE RECOMMENDED "SIMM" P.C. BOARD DIMENSIONS AND TOLERANCES SHOWN, ALL JEDEC SPECIFICATIONS APPLY AS SHOWN ON MO-116, ISSUE A.
- 6. RECOMMENDED MATING S.I.M.M. TAB METALLURGY:
 BASE METAL—COPPER. PLATING TO BE 0.00762[.000300] MIN TIN/LEAD OVER 0.00127[.000050] MIN NICKEL.
- △ OBSOLETE
- △ DATE CODE: (YEAR WEEK) XXXX FORMAT, LOCATED APPROXIMATELY AS SHOWN ON OPPOSITE SIDE.



	G	F	E	D	C	B	A	NO. OF POSN	PART NO
WITH CENTER POST	3.05[.120]	107.95[4.250]	101.19[3.984]	55.88[2.200]	44.45[1.750]	115.57[4.550]	95.25[3.750]	72	3-822030-3
W/OUT CENTER POST	3.68[.145]	67.31[2.650]	60.55[2.384]	35.56[1.400]	24.13[.950]	74.93[2.950]	54.61[2.150]	40	△ 822030-6
	3.68[.145]	67.31[2.650]	60.55[2.384]	35.56[1.400]	24.13[.950]	74.93[2.950]	54.61[2.150]	40	△ 822030-5
WITH CENTER POST	3.68[.145]	118.11[4.650]	111.35[4.384]	60.96[2.400]	49.53[1.950]	125.73[4.950]	105.41[4.150]	80	822030-4
	3.68[.145]	107.95[4.250]	101.19[3.984]	55.88[2.200]	44.45[1.750]	115.57[4.550]	95.25[3.750]	72	822030-3
	3.68[.145]	102.87[4.050]	96.11[3.784]	53.34[2.100]	41.91[1.650]	110.49[4.350]	90.17[3.550]	68	△ 822030-2
	3.68[.145]	97.79[3.850]	91.03[3.584]	50.80[2.000]	39.37[1.550]	105.41[4.150]	85.09[3.350]	64	△ 822030-1

THIS DRAWING IS A CONTROLLED DOCUMENT.

DIMENSIONS: mm [INCHES]	TOLERANCES UNLESS OTHERWISE SPECIFIED:	DIN S. WAITMAN	SJANOS	tyco Electronics	Tyco Electronics Corporation Harrisburg, PA 17105-3608
0 PLC ± -	1 PLC ± -	2 PLC ± -	3 PLC ± 0.13[.005]	4 PLC ± -	ANGLES ± -
MATERIAL	FINISH	APVD M.YFOMANS	PRODUCT SPEC	APPLICATION SPEC	RESTRICTED TO
SIZE	DATE CODE	DRAWING NO	WEIGHT	SCALE	SHEET 1 of 1
CUSTOMER DRAWING		00779	822030	4:1	REV S