



Chipsmall Limited consists of a professional team with an average of over 10 year of expertise in the distribution of electronic components. Based in Hongkong, we have already established firm and mutual-benefit business relationships with customers from,Europe,America and south Asia,supplying obsolete and hard-to-find components to meet their specific needs.

With the principle of “Quality Parts,Customers Priority,Honest Operation,and Considerate Service”,our business mainly focus on the distribution of electronic components. Line cards we deal with include Microchip,ALPS,ROHM,Xilinx,Pulse,ON,Everlight and Freescale. Main products comprise IC,Modules,Potentiometer,IC Socket,Relay,Connector.Our parts cover such applications as commercial,industrial, and automotives areas.

We are looking forward to setting up business relationship with you and hope to provide you with the best service and solution. Let us make a better world for our industry!



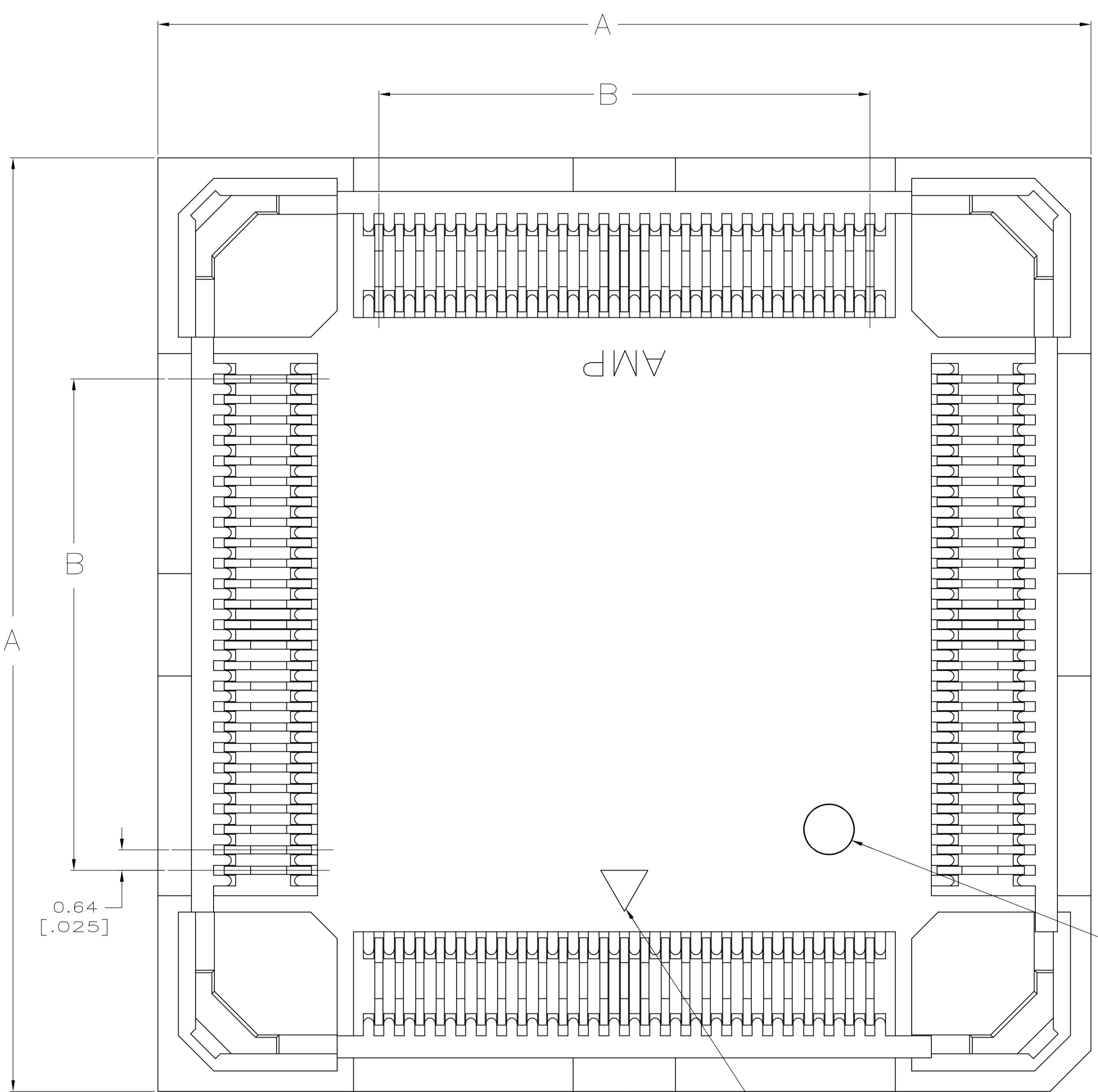
Contact us

Tel: +86-755-8981 8866 Fax: +86-755-8427 6832

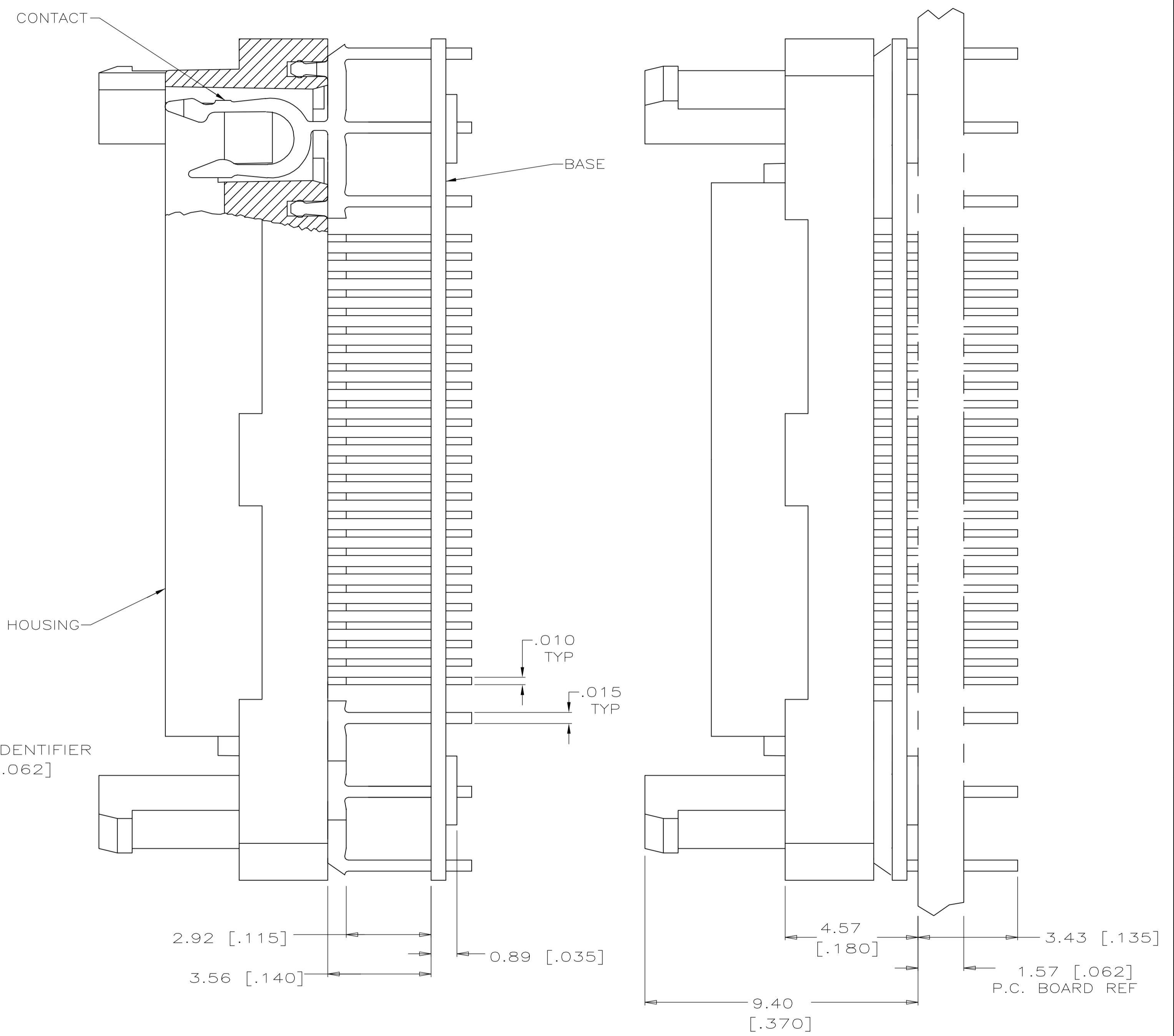
Email & Skype: info@chipsmall.com Web: www.chipsmall.com

Address: A1208, Overseas Decoration Building, #122 Zhenhua RD., Futian, Shenzhen, China





SUB-ASSEMBLY SHOWN AS SHIPPED SUB-ASSEMBLY SHOWN IN FINAL POSITION



- △ HOUSING MATERIAL SHALL BE LIQUID CRYSTAL POLYMER. (BLACK)
- △ CONTACT MATERIAL SHALL BE PHOS. BRONZE. PLATING SHALL BE 0.00508 [.000200] MIN. TIN LEAD OVER 0.00127 [.000050] MIN. NICKEL ALL OVER.
- △ BASE MATERIAL SHALL BE LIQUID CRYSTAL POLYMER. (BLACK)
- △ SOCKET TO BE MOUNTED WITH AMP LOGO AND CHAMFER ON SOCKET LOCATED IN THIS CORNER OF P.C. BOARD.
- △ THIS AREA TO BE FREE OF COMPONENTS FOR ACCESS OF THE MICRO-PITCH HAND TOOL. MINIMUM OF TWO OPPOSITE SIDES.
- △ CONTACT MATERIAL SHALL BE PHOS. BRONZE. PLATING SHALL BE 0.00508 [.000200] MIN. TIN (LEAD FREE) OVER 0.00127 [.000050] MIN. NICKEL ALL OVER.
- △ ROHS 2002/95/EC COMPLIANT

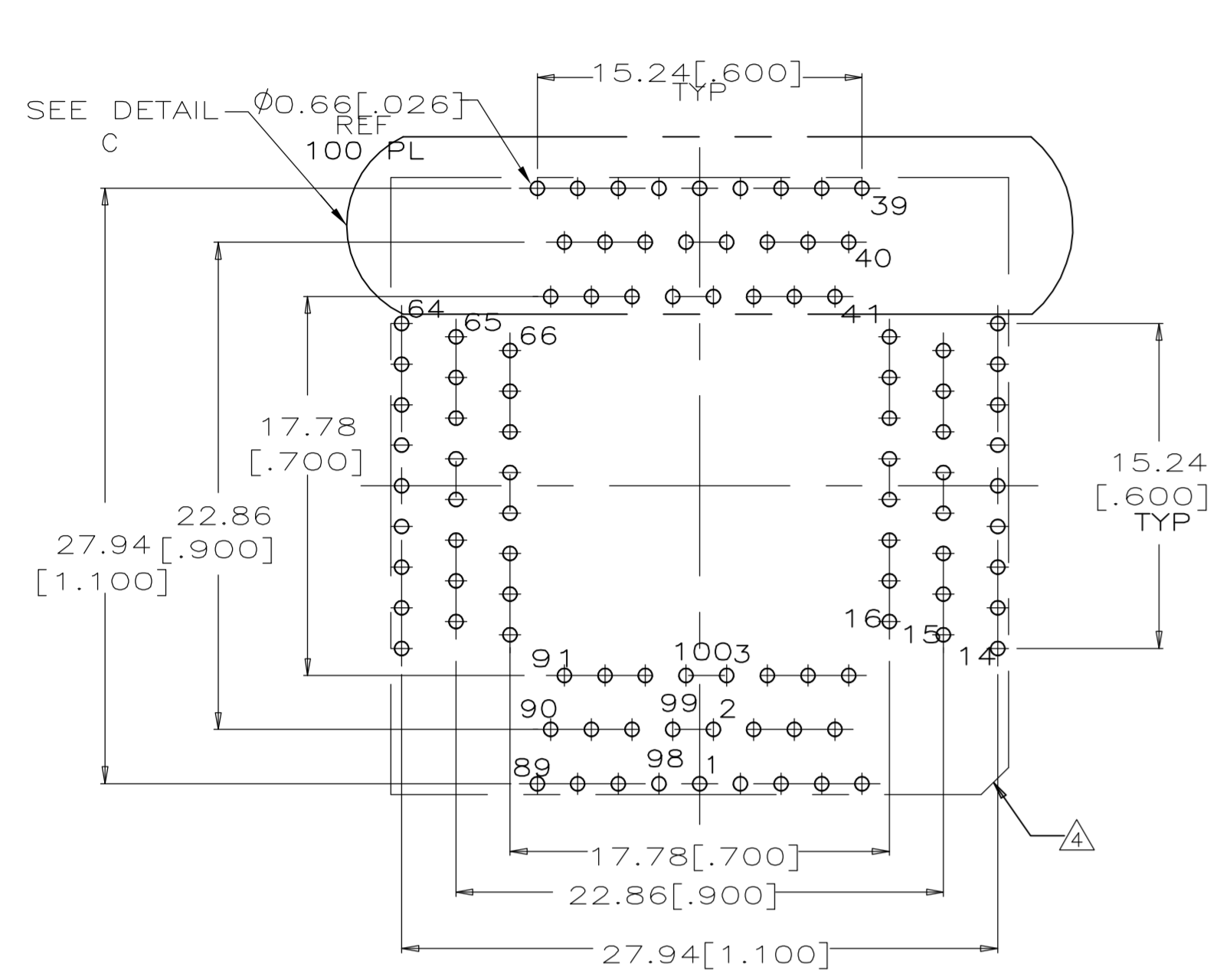
PIN #1 IDENTIFIER
 RAISED ARROW

PIN 1 IDENTIFIER
 Ø1.57 [.062]

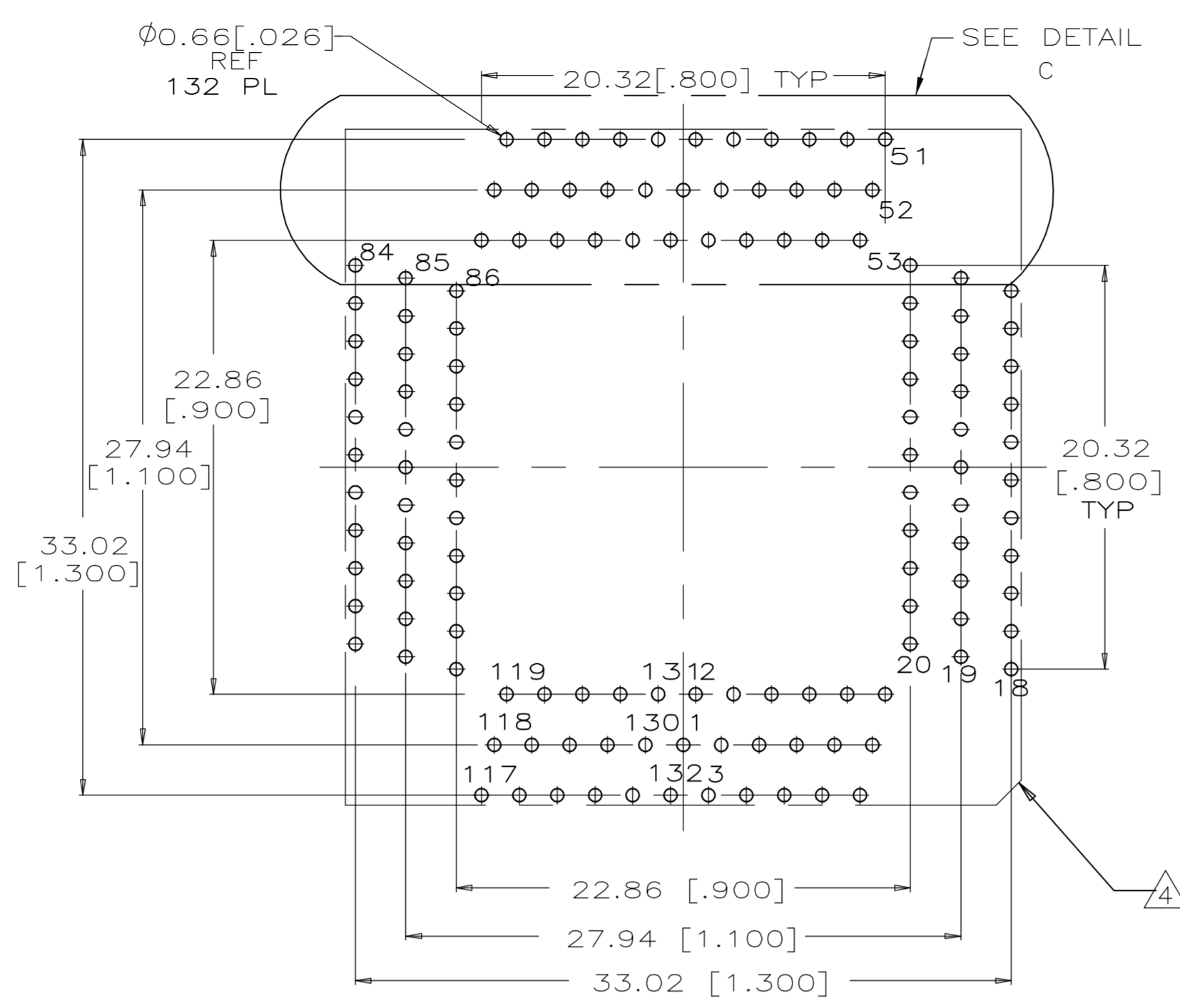
OBSOLETE	△ ₆	25.40 [1.000]	39.12 [1.540]	2-822064-6	164
	△ ₇ △ ₆	20.32 [.800]	34.04 [1.340]	2-822064-5	132
	△ ₇ △ ₆	15.24 [.600]	28.96 [1.140]	2-822064-4	100
OBSOLETE	△ ₂	25.40 [1.000]	39.12 [1.540]	822064-6	164
	△ ₂	20.32 [.800]	34.04 [1.340]	822064-5	132
	△ ₂	15.24 [.600]	28.96 [1.140]	822064-4	100
FINISH		B	A	PART NO.	NO OF POSN

THIS DRAWING IS A CONTROLLED DOCUMENT.

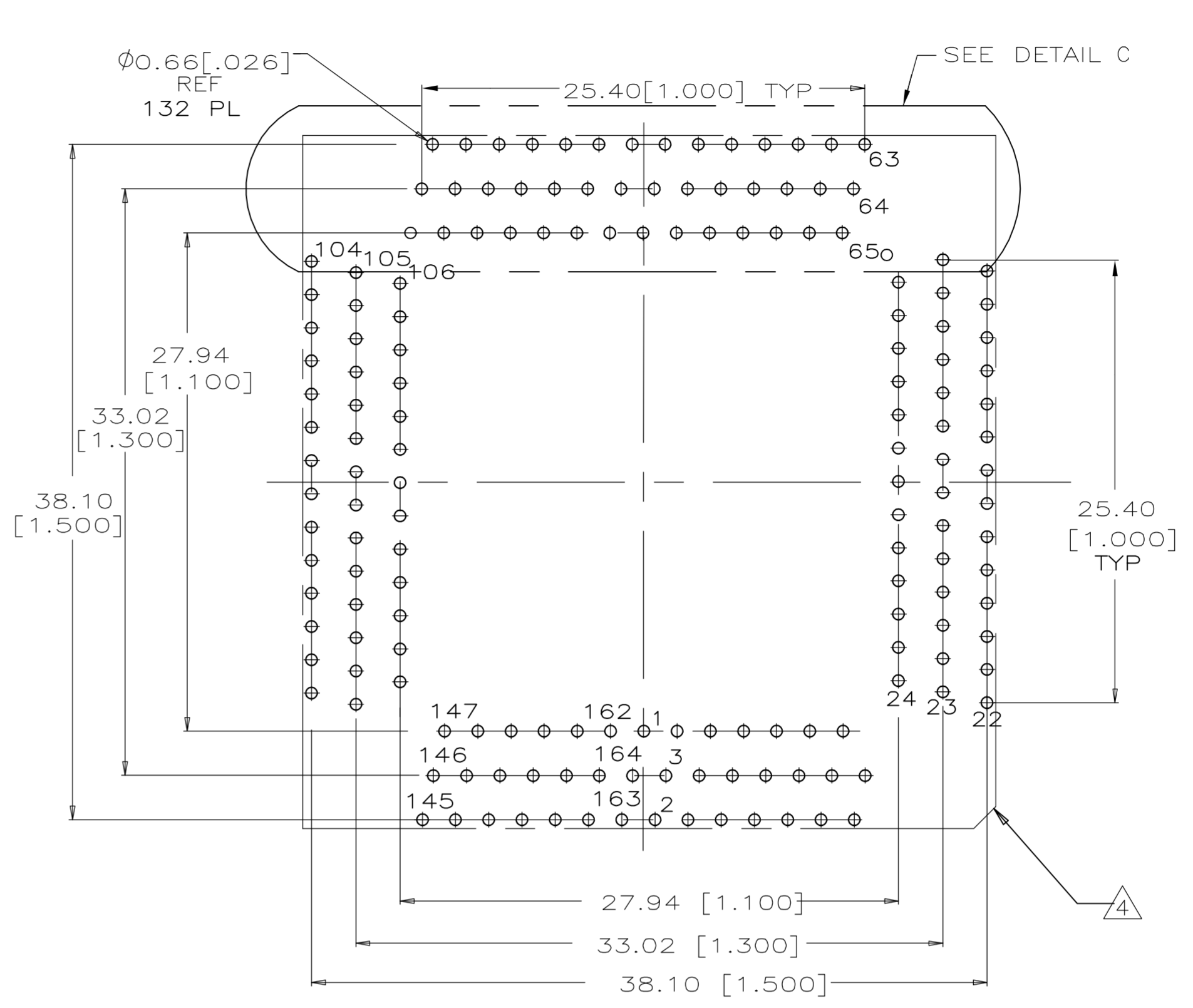
DIMENSIONS: INCHES	TOLERANCES UNLESS OTHERWISE SPECIFIED:	DWG: K. SALMON 10-13-90	CHK: R. MILLER 10-13-90	APV: F. BOYD 10-13-90	NAME: F. BOYD	tyco Electronics	Tyco Electronics Corporation Harrisburg, Pa
0 PLC ± -	1 PLC ± -	2 PLC ± -	3 PLC ± 0.13(.005)	4 PLC ± -	ANGLES ± -	PRODUCT SPEC	MICRO-PITCH SOCKET HOUSING SUB-ASSEMBLY REVERSE FOOTPRINT
MATERIAL	FINISH SEE TABLE	WEIGHT	SIZE	CAGE CODE	DRAWING NO	RESTRICTED TO	
1 2 3 6			A1	00779	822064		
CUSTOMER DRAWING			SCALE	SHEET	REV		
			10:1	1 OF 3	H		



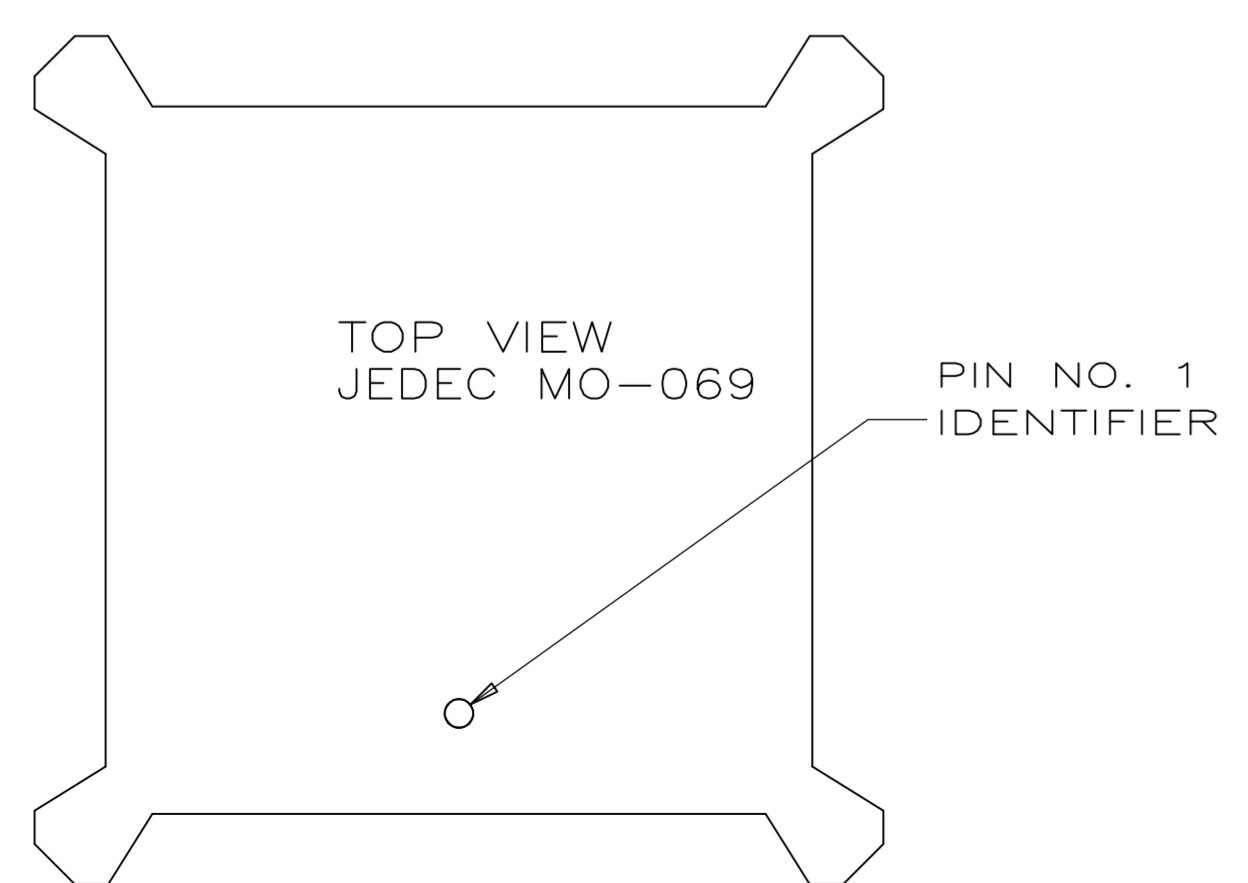
RECOMMENDED P.C. BOARD HOLE PATTERN
 SOCKET SIDE
 100 POSN.
 SCALE: 4:1



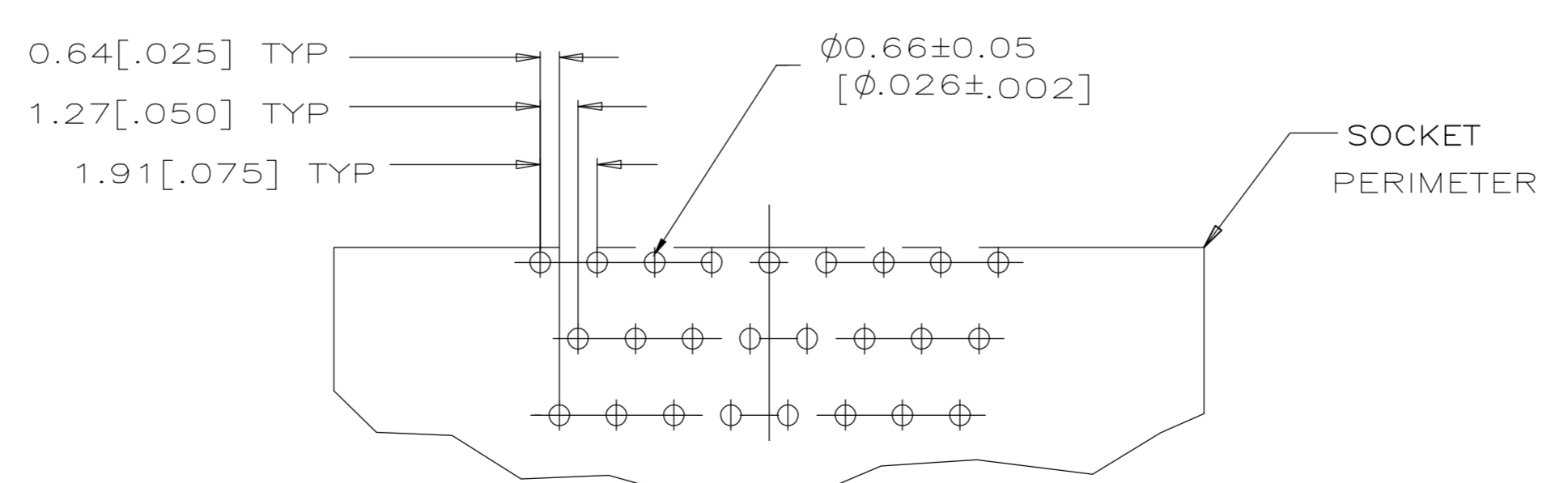
RECOMMENDED P.C. BOARD HOLE PATTERN
 SOCKET SIDE
 132 POSN.
 SCALE: 4:1



RECOMMENDED P.C. BOARD HOLE PATTERN
 SOCKET SIDE
 164 POSN.
 SCALE: 4:1

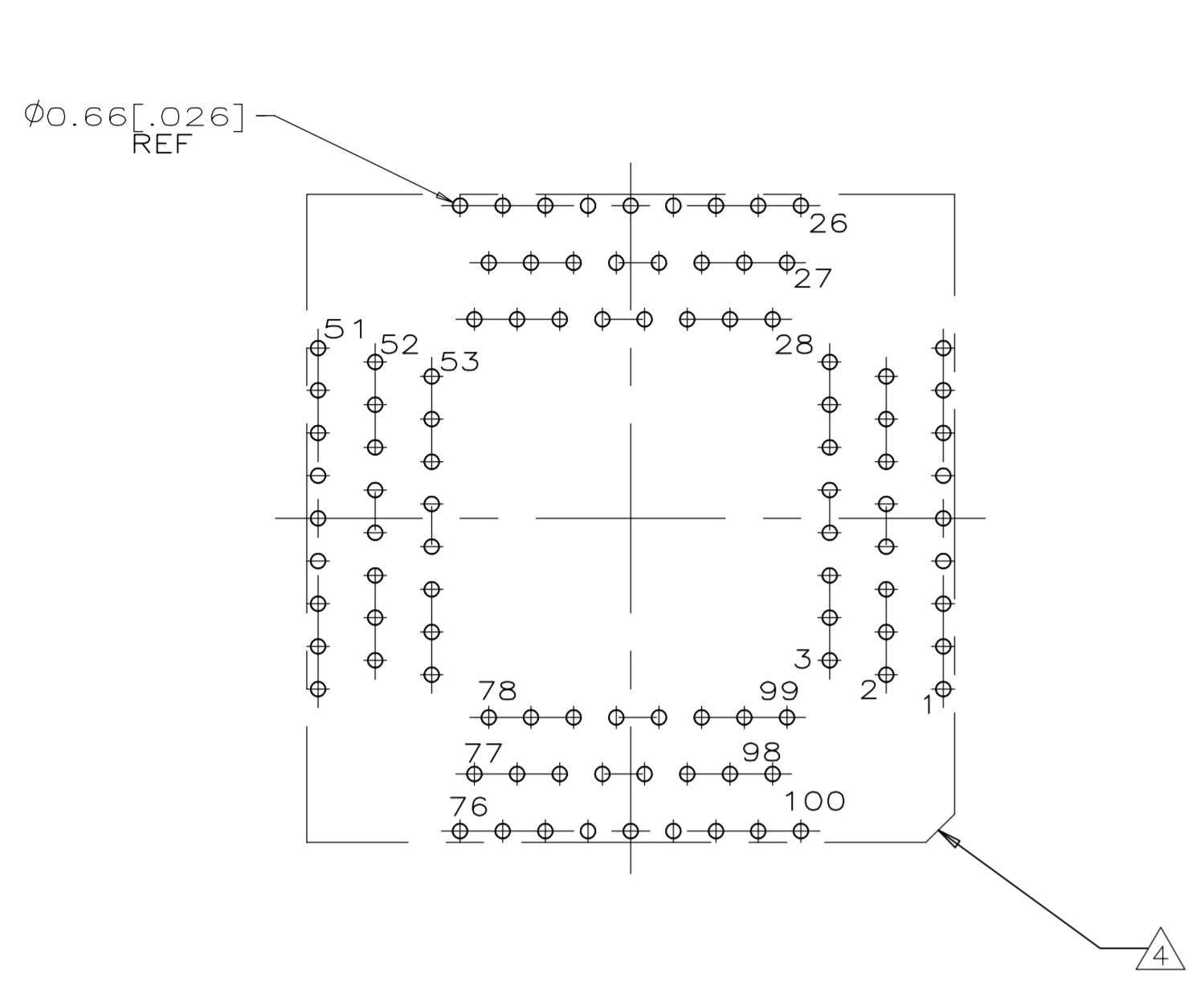


CHIP POLARIZATION REFERENCE VIEW
 (PIN NUMBERING ON THIS SHEET ARE FOR
 CENTER LOCATION OF PIN 1 IDENTIFIER)

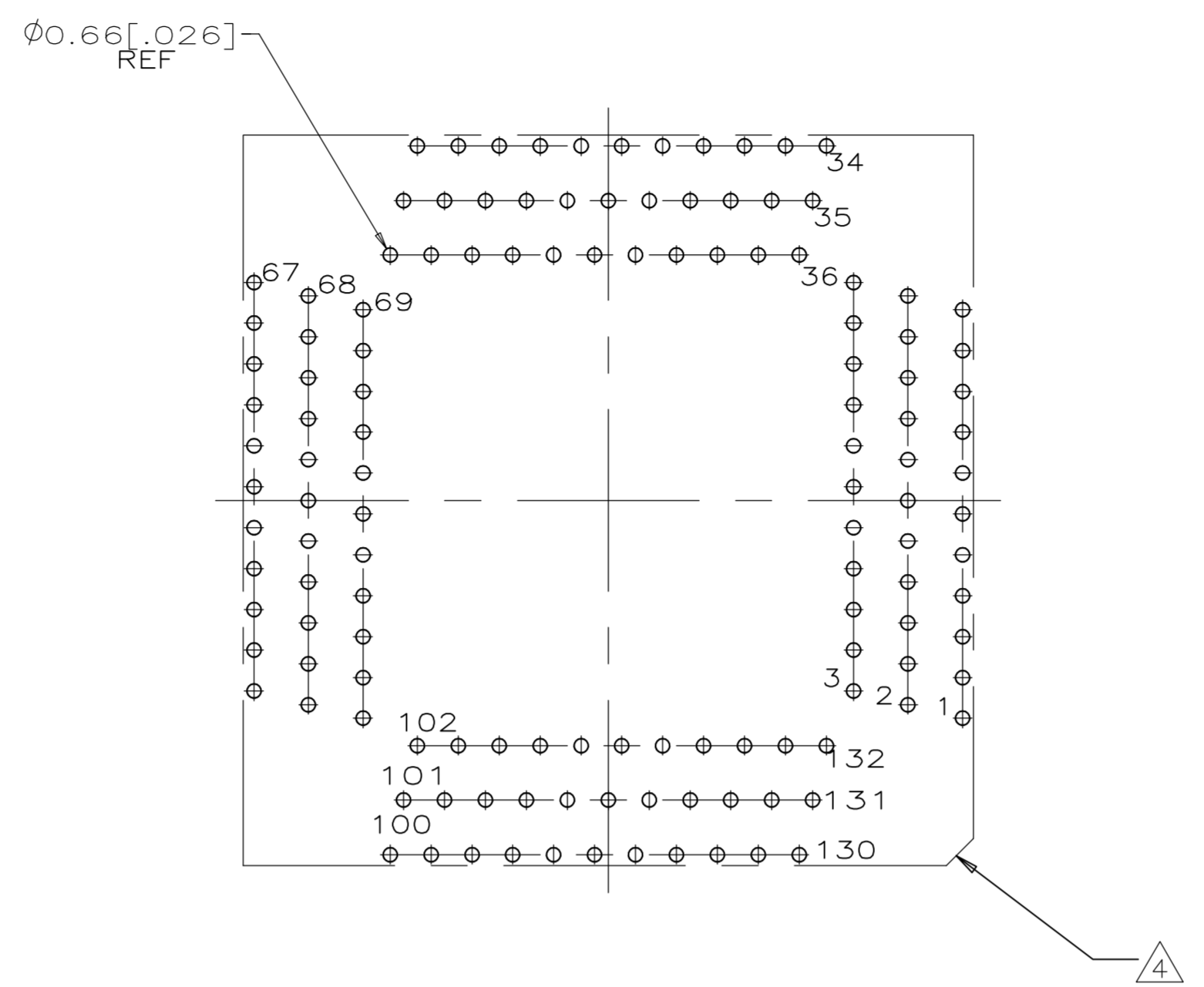


DETAIL C
 (TYP FOR ALL POSITIONS)

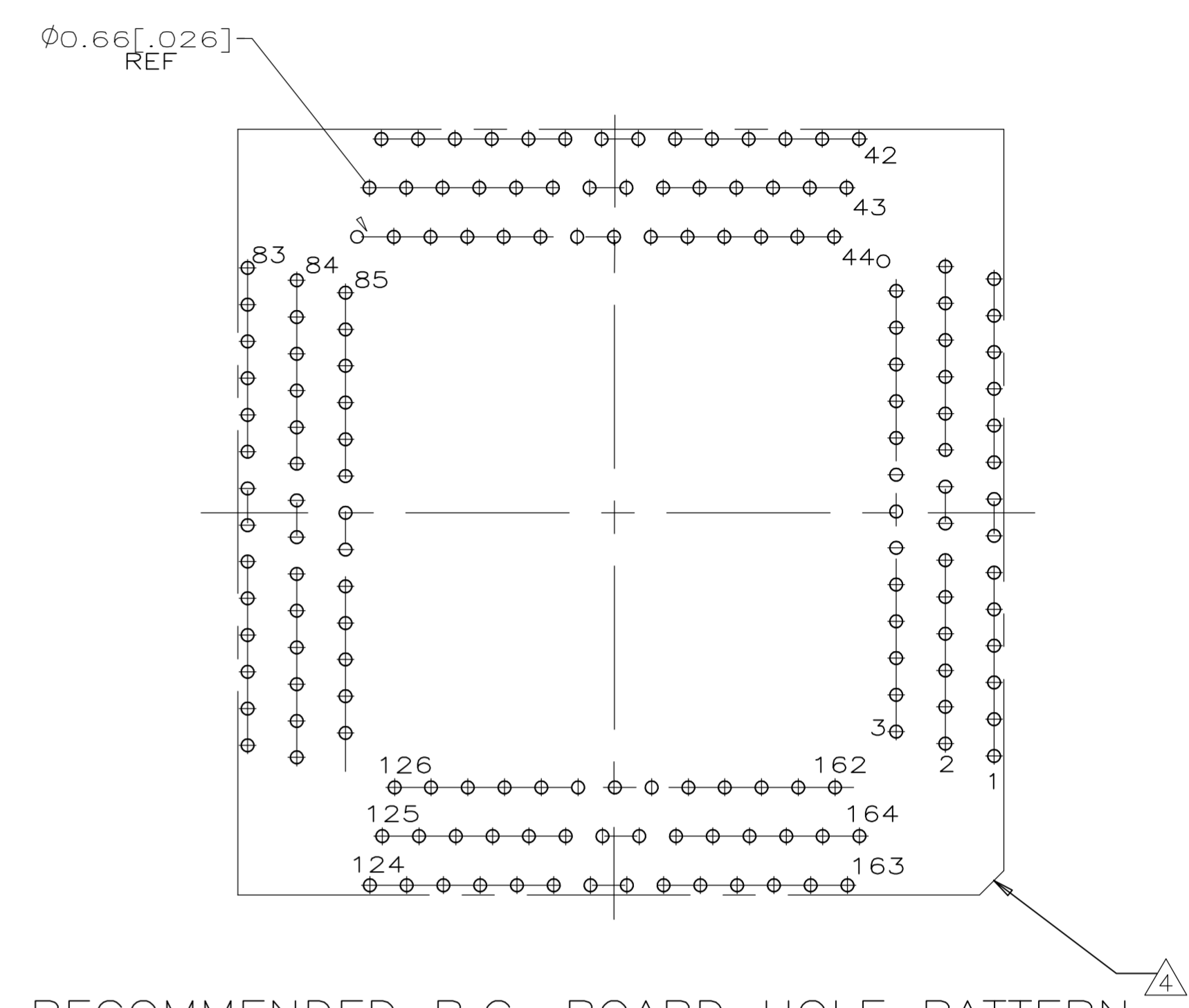
THIS DRAWING IS A CONTROLLED DOCUMENT.		DWN K. SALMON 10-13-90	Tyco Electronics Corporation Harrisburg, Pa.														
DIMENSIONS: INCHES		CHK R. MILLER 10-13-90															
<table border="1"> <tr> <th>DIMENSIONS</th> <th>TOLERANCES UNLESS OTHERWISE SPECIFIED:</th> </tr> <tr> <td>0 PL</td> <td>± -</td> </tr> <tr> <td>1 PL</td> <td>± -</td> </tr> <tr> <td>2 PL</td> <td>± -</td> </tr> <tr> <td>3 PL</td> <td>± 0.12 [0.005]</td> </tr> <tr> <td>4 PL</td> <td>± -</td> </tr> <tr> <td>ANGLES</td> <td>± -</td> </tr> </table>		DIMENSIONS	TOLERANCES UNLESS OTHERWISE SPECIFIED:	0 PL	± -	1 PL	± -	2 PL	± -	3 PL	± 0.12 [0.005]	4 PL	± -	ANGLES	± -	APVD -	NAME -
DIMENSIONS	TOLERANCES UNLESS OTHERWISE SPECIFIED:																
0 PL	± -																
1 PL	± -																
2 PL	± -																
3 PL	± 0.12 [0.005]																
4 PL	± -																
ANGLES	± -																
MATERIAL 1 2 3 6		FINISH SEE TABLE	PRODUCT SPEC -														
		APPLICATION SPEC -	SIZE A1														
		WEIGHT -	CAGE CODE 00779														
		CUSTOMER DRAWING	DRAWING NO. 822064														
		SCALE 10:1	RESTRICTED TO -														
		SHEET 2	OF 3														
		REV H															



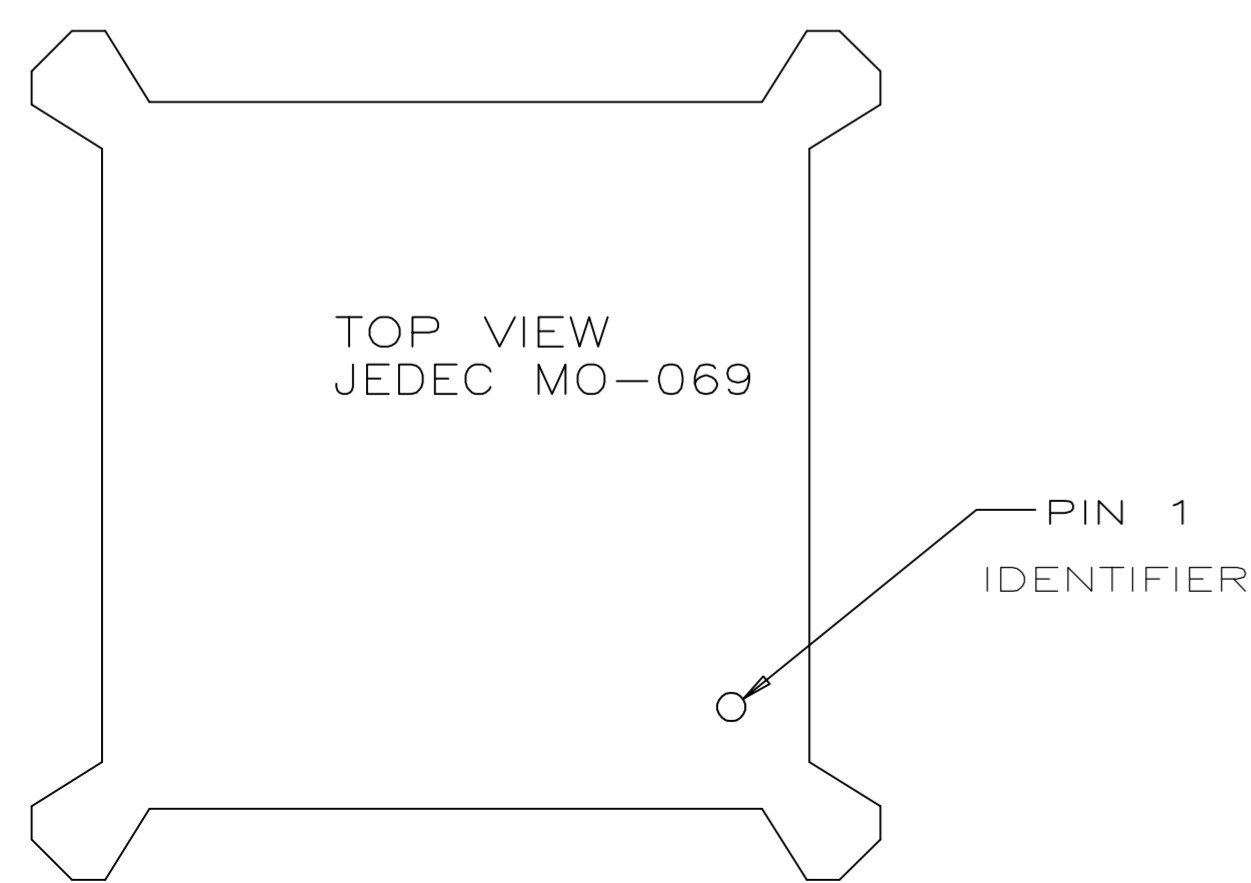
RECOMMENDED P.C. BOARD HOLE PATTERN
 SOCKET SIDE
 100 POSN.
 SEE SHEET 2 100 POSN FOR DIMENSIONS



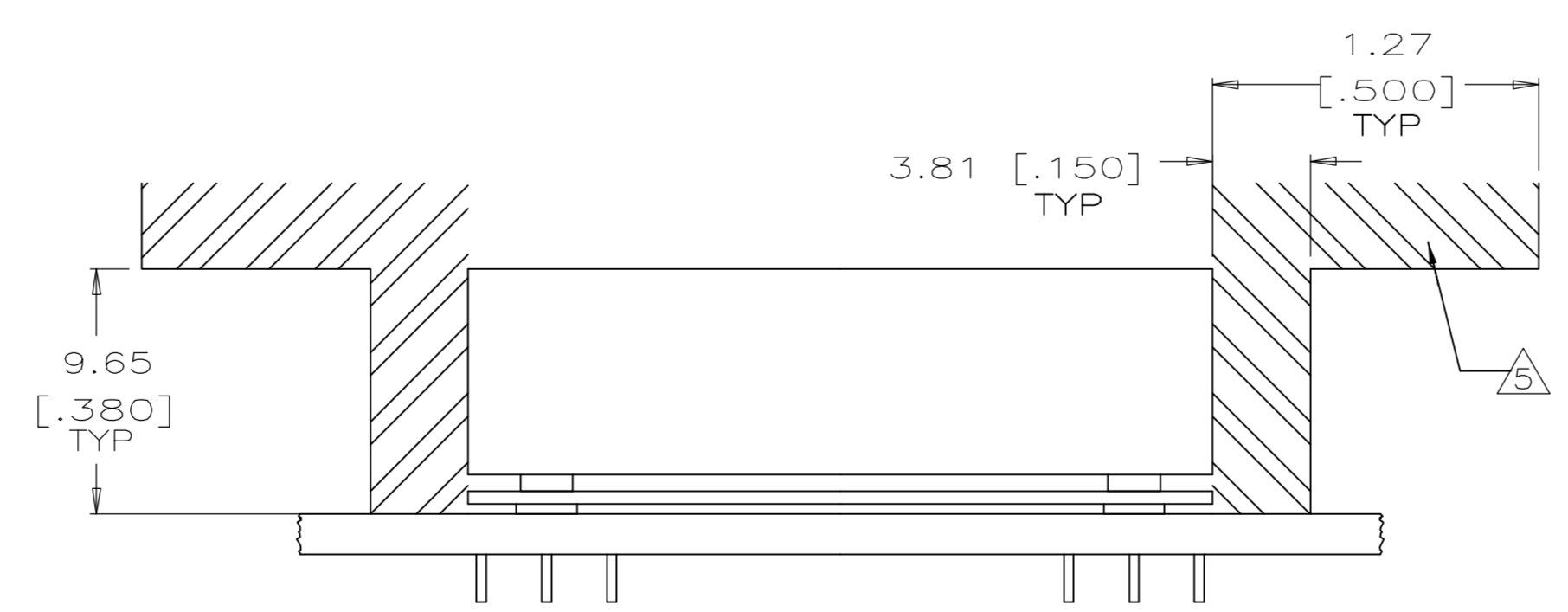
RECOMMENDED P.C. BOARD HOLE PATTERN
 SOCKET SIDE
 132 POSN.
 SEE SHEET 2 132 POSN FOR DIMENSIONS



RECOMMENDED P.C. BOARD HOLE PATTERN
 SOCKET SIDE
 164 POSN.
 SEE SHEET 2 164 POSN FOR DIMENSIONS



CHIP POLARIZATION REFERENCE VIEW
 (PIN NUMBERING ON THIS SHEET IS FOR OFF CENTER LOCATION OF PIN 1 IDENTIFIER)



MICRO-PITCH SOCKET

THIS DRAWING IS A CONTROLLED DOCUMENT.		DWN K.SALMON 10-13-90		Tyco Electronics Corporation Harrisburg, Pa	
DIMENSIONS: INCHES		CHK R.MILLER 10-13-90		NAME F. BOYD 10-13-90	MICRO-PITCH SOCKET HOUSING SUB-ASSEMBLY REVERSE FOOTPRINT
TOLERANCES UNLESS OTHERWISE SPECIFIED:		APVD F. BOYD 10-13-90		RESTRICTED TO	
0 PLC ± -		PRODUCT SPEC		SIZE A1	
1 PLC ± -		APPLICATION SPEC		CAGE CODE 822064	
2 PLC ± -		WEIGHT		SCALE 10:1	
3 PLC ± 0.12[0.005]		CUSTOMER DRAWING		SHEET 3 OF 3	
4 PLC ± -		SEE TABLE		REV H	
ANGLES ± -					