



Chipsmall Limited consists of a professional team with an average of over 10 year of expertise in the distribution of electronic components. Based in Hongkong, we have already established firm and mutual-benefit business relationships with customers from,Europe,America and south Asia,supplying obsolete and hard-to-find components to meet their specific needs.

With the principle of "Quality Parts,Customers Priority,Honest Operation,and Considerate Service",our business mainly focus on the distribution of electronic components. Line cards we deal with include Microchip,ALPS,ROHM,Xilinx,Pulse,ON,Everlight and Freescale. Main products comprise IC,Modules,Potentiometer,IC Socket,Relay,Connector.Our parts cover such applications as commercial,industrial, and automotives areas.

We are looking forward to setting up business relationship with you and hope to provide you with the best service and solution. Let us make a better world for our industry!



Contact us

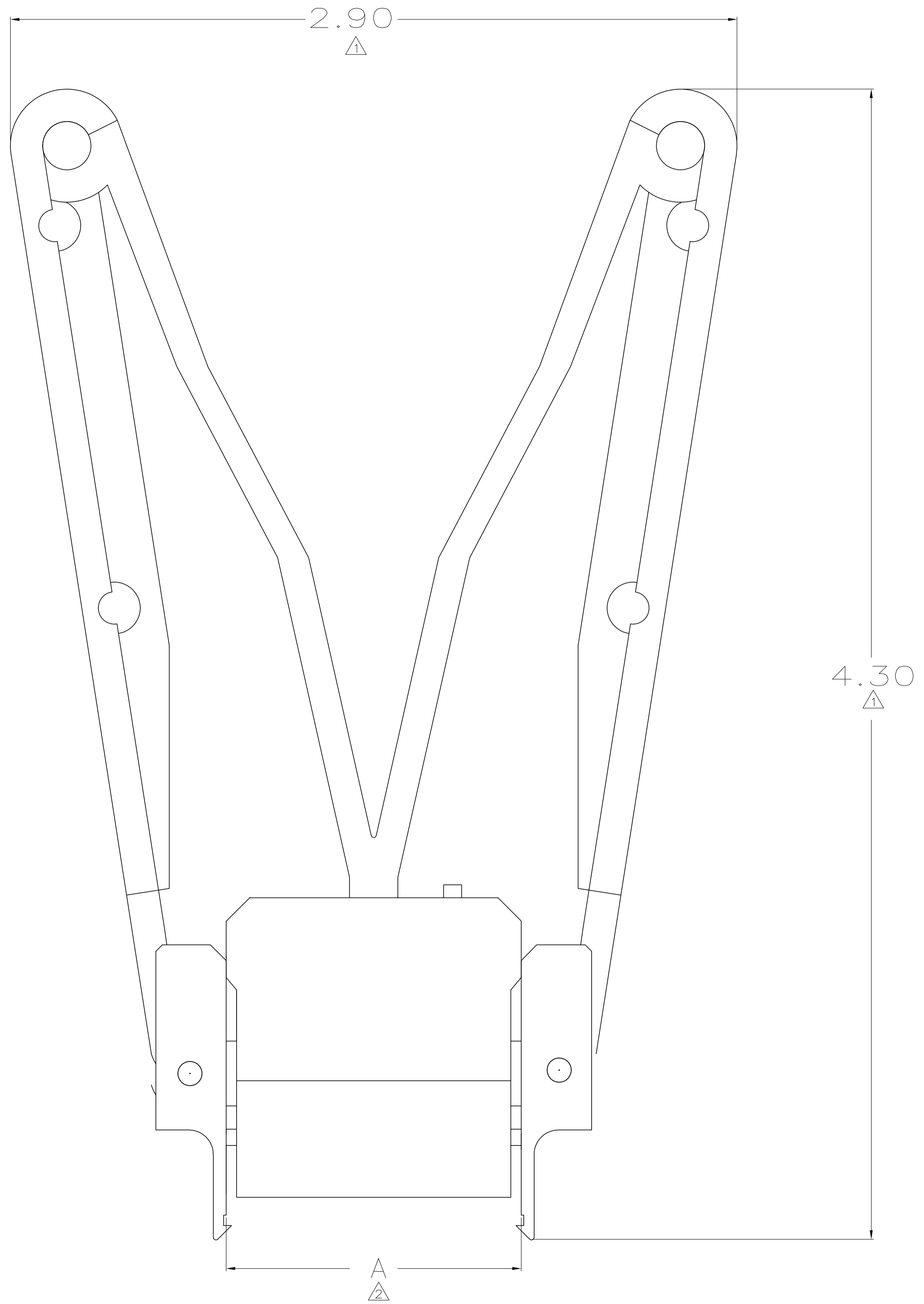
Tel: +86-755-8981 8866 Fax: +86-755-8427 6832

Email & Skype: info@chipsmall.com Web: www.chipsmall.com

Address: A1208, Overseas Decoration Building, #122 Zhenhua RD., Futian, Shenzhen, China



REVISIONS						
LOC	DIST	P	F	ZONE	LTR	DESCRIPTION
AG	55					
				A1		REVISED PER ECO-09-023313
				A		REVISED PER AG-3260
						DATE
						13OCT09
						APPD
						AG
						7-26-93
						WS



- ① DIMENSION APPLIES ONLY WHEN HANDLE IS IN FREE STATE.
- ② DIMENSION "A" APPLIES ONLY WHEN HANDLE IS SQUEEZED, WITH HOOKS PIVOTED AGAINST CAM.
- 3. FOR INSTRUCTION ON HOW TO USE THIS HAND TOOL REFER TO AMP INSTRUCTION SHEET IS-3289.
- ④ OBSOLETE PARTS: OBSOLETE CIS STREAMLINING PER D.RENAUD/D.SINISI

④ OBSOLETE	1.485 - 1.500	822253-4
④ OBSOLETE	1.525 - 1.540	822253-3
④ OBSOLETE	1.325 - 1.340	822253-2
④ OBSOLETE	1.125 - 1.140	822253-1
	DIM A	PART NO.

		PART NO	
DO NOT SCALE PRINT. UNLESS SPECIFIED	DR 4-29-92 G. HOWELL	AMP Incorporated Harrisburg, PA 17105-3608	
DIMENSIONS IN mm [INCHES]	CHK 4-29-92 G. HOWELL		
TOLERANCES ON :	APPD 4-29-92 G. HOWELL	9-10-91	
2 PLC DEC ± .02	APPD 4-29-92 B. FEELEY	PRODUCT ASSY HAND TOOL	
3 PLC DEC ± .005	PRODUCT SPEC		
ANGLES ± -	FINISH	SIZE	CAGE CODE
MATERIAL		D	00779
	APPLICATION SPEC	DRAWING NO	822253
		SCALE	2:1
	WEIGHT	SHEET	1 OF 1