



Chipsmall Limited consists of a professional team with an average of over 10 year of expertise in the distribution of electronic components. Based in Hongkong, we have already established firm and mutual-benefit business relationships with customers from,Europe,America and south Asia,supplying obsolete and hard-to-find components to meet their specific needs.

With the principle of “Quality Parts,Customers Priority,Honest Operation,and Considerate Service”,our business mainly focus on the distribution of electronic components. Line cards we deal with include Microchip,ALPS,ROHM,Xilinx,Pulse,ON,Everlight and Freescale. Main products comprise IC,Modules,Potentiometer,IC Socket,Relay,Connector.Our parts cover such applications as commercial,industrial, and automotives areas.

We are looking forward to setting up business relationship with you and hope to provide you with the best service and solution. Let us make a better world for our industry!



Contact us

Tel: +86-755-8981 8866 Fax: +86-755-8427 6832

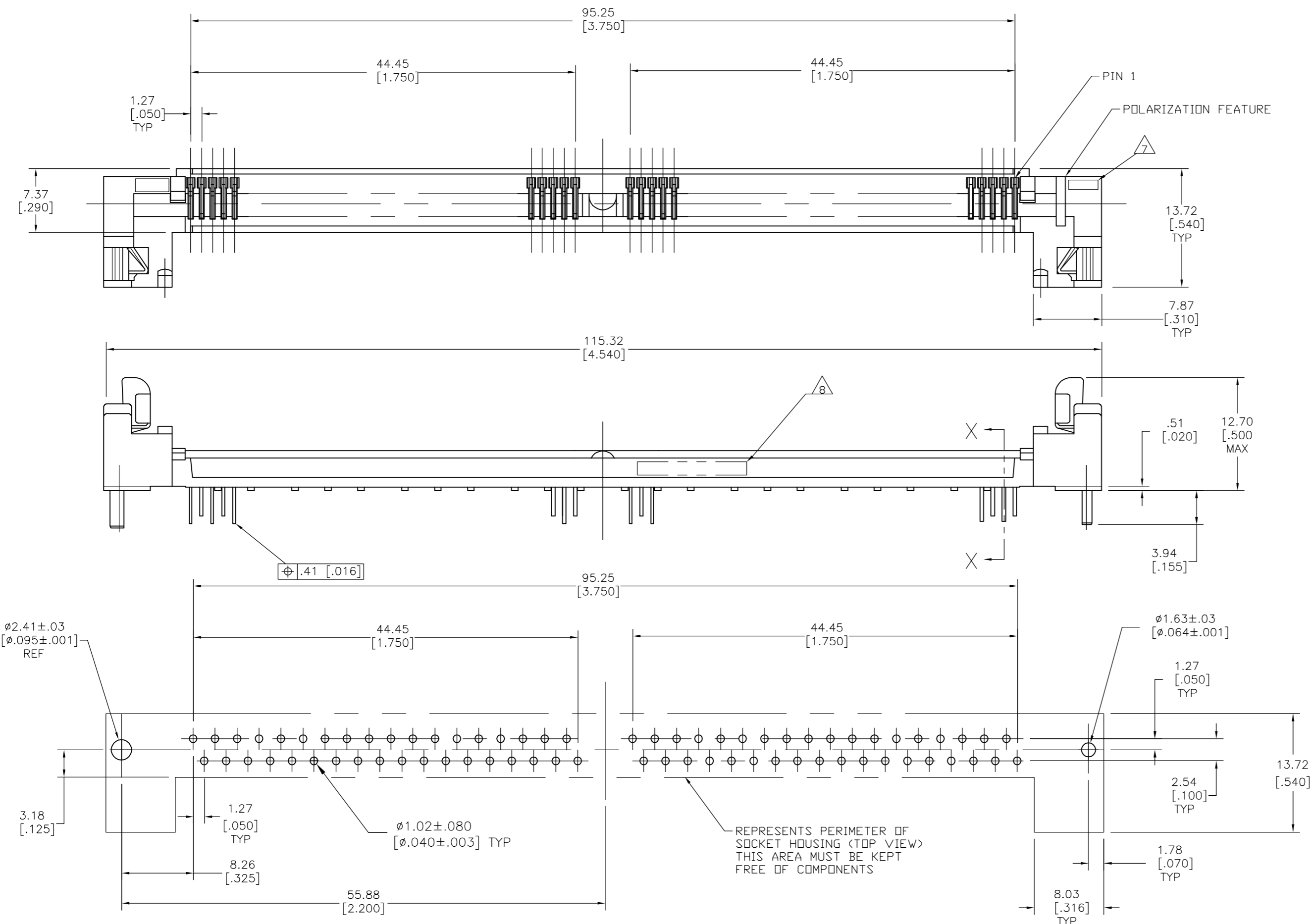
Email & Skype: info@chipsmall.com Web: www.chipsmall.com

Address: A1208, Overseas Decoration Building, #122 Zhenhua RD., Futian, Shenzhen, China

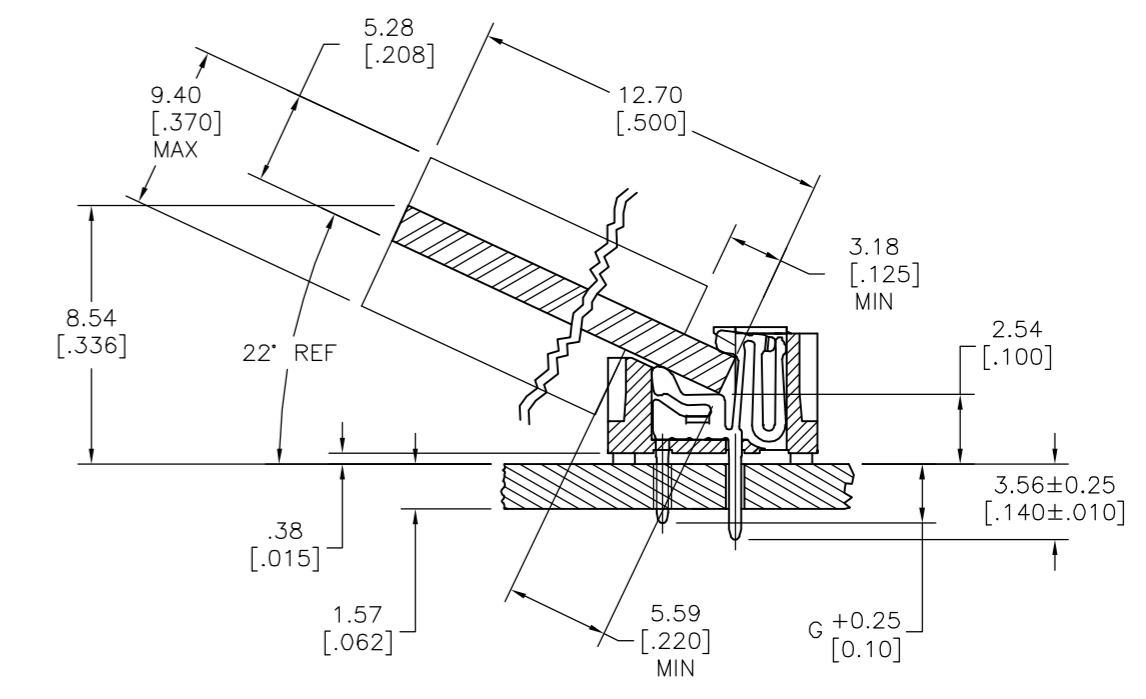
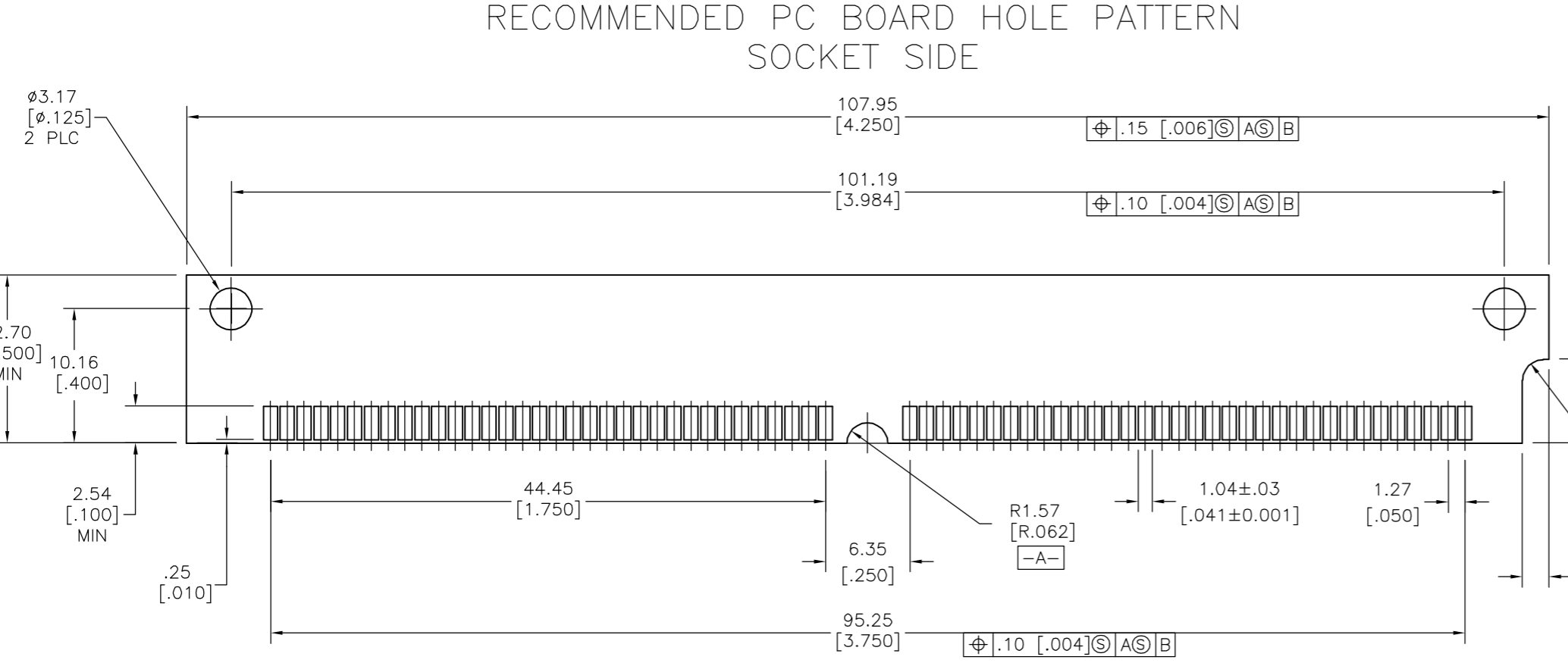


THIS DRAWING IS UNPUBLISHED. RELEASED FOR PUBLICATION
 © COPYRIGHT BY TYCO ELECTRONICS CORPORATION. ALL RIGHTS RESERVED.

LOC		DIST		REVISIONS			
P	LTR	DESCRIPTION		DATE	DWN	APVD	
GP	00	N		REVISED PER ECO-06-007841	19JUL06	JDP MB	



- △ HOUSING MATERIAL: LIQUID CRYSTAL POLYMER.
- △ CONTACT MATERIAL: PHOS. BRONZE.
- △ LATCH MATERIAL: STAINLESS STEEL.
- △ CONTACT PLATE: .00508 [.000200] MIN TIN/LEAD OVER .00127 [.000050] MIN NICKEL.
- 5. IN ADDITION TO THOSE RECOMMENDED "SIMM" PC BOARD DIMENSIONS AND TOLERANCES SHOWN, ALL JEDEC SPECIFICATIONS APPLY AS SHOWN ON MO-116, ISSUE A.
- 6. RECOMMENDED MATING SIMM TAB METALLURGY: .00762 [.000300] MIN TIN/LEAD OVER .00127 [.000050] MIN NICKEL.
- △ "S" IDENTIFICATION SHALL BE LOCATED IN APPROX LOCATION SHOWN.
- △ DATE CODE INFORMATION (YEAR WEEK), LOCATED APPROXIMATELY AS SHOWN ON OPPOSITE SIDE.



SECTION X-X
 SCALE 5:1
 (BOARD SHOWN FOR REF ONLY)

3.56 [.140]	72	822330-4
2.92 [.115]	72	822330-3
G ± 0.25 [.010]	NO. OF POSNS	PART NUMBER

THIS DRAWING IS A CONTROLLED DOCUMENT.		DWN B.MCMMASTER 06JAN05	 Tyco Electronics Corporation Harrisburg, PA 17105-3608
DIMENSIONS: mm [INCHES]		CHK M.YEOMANS 06JAN05	
TOLERANCES UNLESS OTHERWISE SPECIFIED:		APVD M.YEOMANS 06JAN05	NAME
0 PLC ± - 1 PLC ± - 2 PLC ± - 3 PLC ± .13 [.005] 4 PLC ± - ANGLES ± - FINISH		PRODUCT SPEC	CONNECTOR, MICRO-EDGE, .050 LP, TIN PL, W/ METAL LATCH
MATERIAL		APPLICATION SPEC	SIZE CAGE CODE DRAWING NO RESTRICTED TO
		WEIGHT -	A2 00779 C=822330 -
CUSTOMER DRAWING		SCALE 4:1	SHEET 1 OF 1 REV N