



Chipsmall Limited consists of a professional team with an average of over 10 year of expertise in the distribution of electronic components. Based in Hongkong, we have already established firm and mutual-benefit business relationships with customers from,Europe,America and south Asia,supplying obsolete and hard-to-find components to meet their specific needs.

With the principle of "Quality Parts,Customers Priority,Honest Operation,and Considerate Service",our business mainly focus on the distribution of electronic components. Line cards we deal with include Microchip,ALPS,ROHM,Xilinx,Pulse,ON,Everlight and Freescale. Main products comprise IC,Modules,Potentiometer,IC Socket,Relay,Connector.Our parts cover such applications as commercial,industrial, and automotives areas.

We are looking forward to setting up business relationship with you and hope to provide you with the best service and solution. Let us make a better world for our industry!



## Contact us

Tel: +86-755-8981 8866 Fax: +86-755-8427 6832

Email & Skype: info@chipsmall.com Web: www.chipsmall.com

Address: A1208, Overseas Decoration Building, #122 Zhenhua RD., Futian, Shenzhen, China



# Single direction synchronous geared motors

→ 0.5 Nm 3 Watts

- Mechanical strength : 0.5 Nm
- Constant speed, dependent on supply frequency
- Wide range of speeds available
- Direction of rotation controlled by long-life mechanical anti-return device
- Permanent magnet rotor



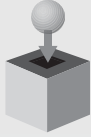
## Specifications

		3 Watts	3 Watts	3 Watts	3 Watts
Type		82 344 0	82 344 0	82 344 0	82 344 0
Voltage / Frequency		115 V 60 Hz	115 V 60 Hz	220 V 60 Hz	220 V 60 Hz
Direction of rotation		Counter-clockwise	Clockwise	Counter-clockwise	Clockwise
Output speed	Ratios (i)				
72 rpm	10	82 344 0A20072MB ●	82 344 0A10072MB ●	82 344 0J20072MB ●	82 344 0J10072MB ●
60 rpm	12	82 344 0A20060MB ●	82 344 0A10060MB ●	82 344 0J20060MB ●	82 344 0J10060MB ●
48 rpm	20	82 344 0A20048MB ●	82 344 0A10048MB ●	82 344 0J20048MB ●	82 344 0J10048MB ●
24 rpm	30	82 344 0A20024MB ●	82 344 0A10024MB ●	82 344 0J20024MB ●	82 344 0J10024MB ●
18 rpm	40	82 344 0A20018MB ●	82 344 0A10018MB ●	82 344 0J20018MB ●	82 344 0J10018MB ●
15 rpm	48	82 344 0A20015MB ●	82 344 0A10015MB ●	82 344 0J20015MB ●	82 344 0J10015MB ●
14.4 rpm	50	82 344 0A214.4MB ●	82 344 0A114.4MB ●	82 344 0J214.4MB ●	82 344 0J114.4MB ●
12 rpm	60	82 344 0A20012MB ●	82 344 0A10012MB ●	82 344 0J20012MB ●	82 344 0J10012MB ●
9 rpm	80	82 344 0A20009MB ●	82 344 0A10009MB ●	82 344 0J20009MB ●	82 344 0J10009MB ●
7.2 rpm	100	82 344 0A207.2MB ●	82 344 0A107.2MB ●	82 344 0J207.2MB ●	82 344 0J107.2MB ●
6 rpm	120	82 344 0A20006MB ●	82 344 0A10006MB ●	82 344 0J20006MB ●	82 344 0J10006MB ●
4.8 rpm	150	82 344 0A204.8MB ●	82 344 0A104.8MB ●	82 344 0J204.8MB ●	82 344 0J104.8MB ●
3.6 rpm	200	82 344 0A203.6MB ●	82 344 0A103.6MB ●	82 344 0J203.6MB ●	82 344 0J103.6MB ●
3 rpm	240	82 344 0A20003MB ●	82 344 0A10003MB ●	82 344 0J20003MB ●	82 344 0J10003MB ●
2.4 rpm	300	82 344 0A202.4MB ●	82 344 0A102.4MB ●	82 344 0J202.4MB ●	82 344 0J102.4MB ●
1.2 rpm	600	82 344 0A201.2MB ●	82 344 0A101.2MB ●	82 344 0J201.2MB ●	82 344 0J101.2MB ●
0.80 rpm	750	82 344 0A200.8MB ●	82 344 0A100.8MB ●	82 344 0J200.8MB ●	82 344 0J100.8MB ●
0.60 rpm	1200	82 344 0A200.6MB ●	82 344 0A100.6MB ●	82 344 0J200.6MB ●	82 344 0J100.6MB ●
0.40 rpm	1800	82 344 0A200.4MB ●	82 344 0A100.4MB ●	82 344 0J200.4MB ●	82 344 0J100.4MB ●
0.30 rpm	2400	82 344 0A200.3MB ●	82 344 0A100.3MB ●	82 344 0J200.3MB ●	82 344 0J100.3MB ●
0.24 rpm	3000	82 344 0A20.24MB ●	82 344 0A10.24MB ●	82 344 0J20.24MB ●	82 344 0J10.24MB ●
0.12 rpm	6000	82 344 0A20.12HB ●	82 344 0A10.12HB ●	82 344 0J20.12HB ●	82 344 0J10.12HB ●
6.00 rph	7200	82 344 0A20006HB ●	82 344 0A10006HB ●	82 344 0J20006HB ●	82 344 0J10006HB ●
4.80 rph	9000	82 344 0A204.8HB ●	82 344 0A104.8HB ●	82 344 0J204.8HB ●	82 344 0J104.8HB ●
3.60 rph	12000	82 344 0A203.6HB ●	82 344 0A103.6HB ●	82 344 0J203.6HB ●	82 344 0J103.6HB ●
3.00 rph	14400	82 344 0A20003HB ●	82 344 0A10003HB ●	82 344 0J20003HB ●	82 344 0J10003HB ●
1.20 rph	36000	82 344 0A201.2HB ●	82 344 0A101.2HB ●	82 344 0J201.2HB ●	82 344 0J101.2HB ●
0.60 rph	72000	82 344 0A200.6HB ●	82 344 0A100.6HB ●	82 344 0J200.6HB ●	82 344 0J100.6HB ●
1/10 rph	432000	82 344 0A200.1HB ●	82 344 0A100.1HB ●	82 344 0J200.1HB ●	82 344 0J100.1HB ●
1/240 rph	864000	82 344 0A20.05HB ●	82 344 0A10.05HB ●	82 344 0J20.05HB ●	82 344 0J10.05HB ●
General characteristics					
Motor		82 340 0	82 340 0	82 340 0	82 340 0
Gearbox		81 021 0	81 021 0	81 021 0	81 021 0
Maximum permitted torque from gearmotor under continuous conditions for 1 millions turns of the gearmotor Nm		0.5	0.5	0.5	0.5
Axial load (static) daN		1	1	1	1
Radial load (static) daN		8	8	8	8
Absorbed power (W)		3	3	3	3
Motor output (W)		0.16	0.16	0.16	0.16
Maximum temperature rise (°C)		55	55	55	55
Ambient temperature (°C)		-5 → +60	-5 → +60	-5 → +60	-5 → +60
Weight (g)		160	160	160	160
Wires length mm (approximately)		250	250	250	250
Protection rating		IP40	IP40	IP40	IP40

Products and specifications subject to change without notice.

Order/Technical Support - Tel: (800) 677-5311 / FAX: (800) 677-3865 / www.crouzet-usa.com

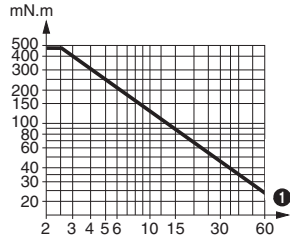
## Products adaptations, available on request



- Special supply voltages
- Special lead lengths
- Special connectors
- Special output shafts
- Special gearbox ratios
- Special gear material
- Special output bearings
- Special mounting plate

## Curves

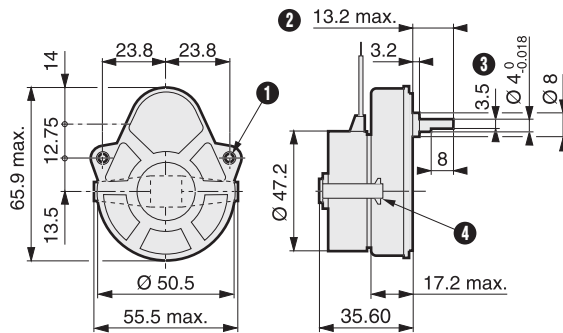
Graph of torque versus speed 82 344 0



B RPM

## Dimensions

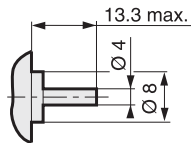
82 344 0



- B 2 fixing holes Ø 3.2
- C (pushed-in shaft)
- D 3.5 across flat
- E Fixing clip

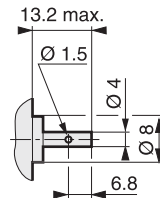
## Options

Shaft 79 200 967



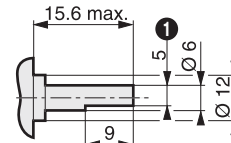
B (pushed-in shaft ←)

Shaft 79 200 779



B (pushed-in shaft ←)

Shaft 70 999 421 SP1295-10



B Across flat

## Other information

The speed of a motor powered by a 60 Hz supply is 20 % higher than that of a motor powered by a 50 Hz supply.

Products and specifications subject to change without notice.

Order/Technical Support - Tel: (800) 677-5311 / FAX: (800) 677-3865 / www.crouzet-usa.com