



Chipsmall Limited consists of a professional team with an average of over 10 year of expertise in the distribution of electronic components. Based in Hongkong, we have already established firm and mutual-benefit business relationships with customers from,Europe,America and south Asia,supplying obsolete and hard-to-find components to meet their specific needs.

With the principle of “Quality Parts,Customers Priority,Honest Operation,and Considerate Service”,our business mainly focus on the distribution of electronic components. Line cards we deal with include Microchip,ALPS,ROHM,Xilinx,Pulse,ON,Everlight and Freescale. Main products comprise IC,Modules,Potentiometer,IC Socket,Relay,Connector.Our parts cover such applications as commercial,industrial, and automotives areas.

We are looking forward to setting up business relationship with you and hope to provide you with the best service and solution. Let us make a better world for our industry!



Contact us

Tel: +86-755-8981 8866 Fax: +86-755-8427 6832

Email & Skype: info@chipsmall.com Web: www.chipsmall.com

Address: A1208, Overseas Decoration Building, #122 Zhenhua RD., Futian, Shenzhen, China



3M™ D Sub Plug 50 Position – 8250 Series



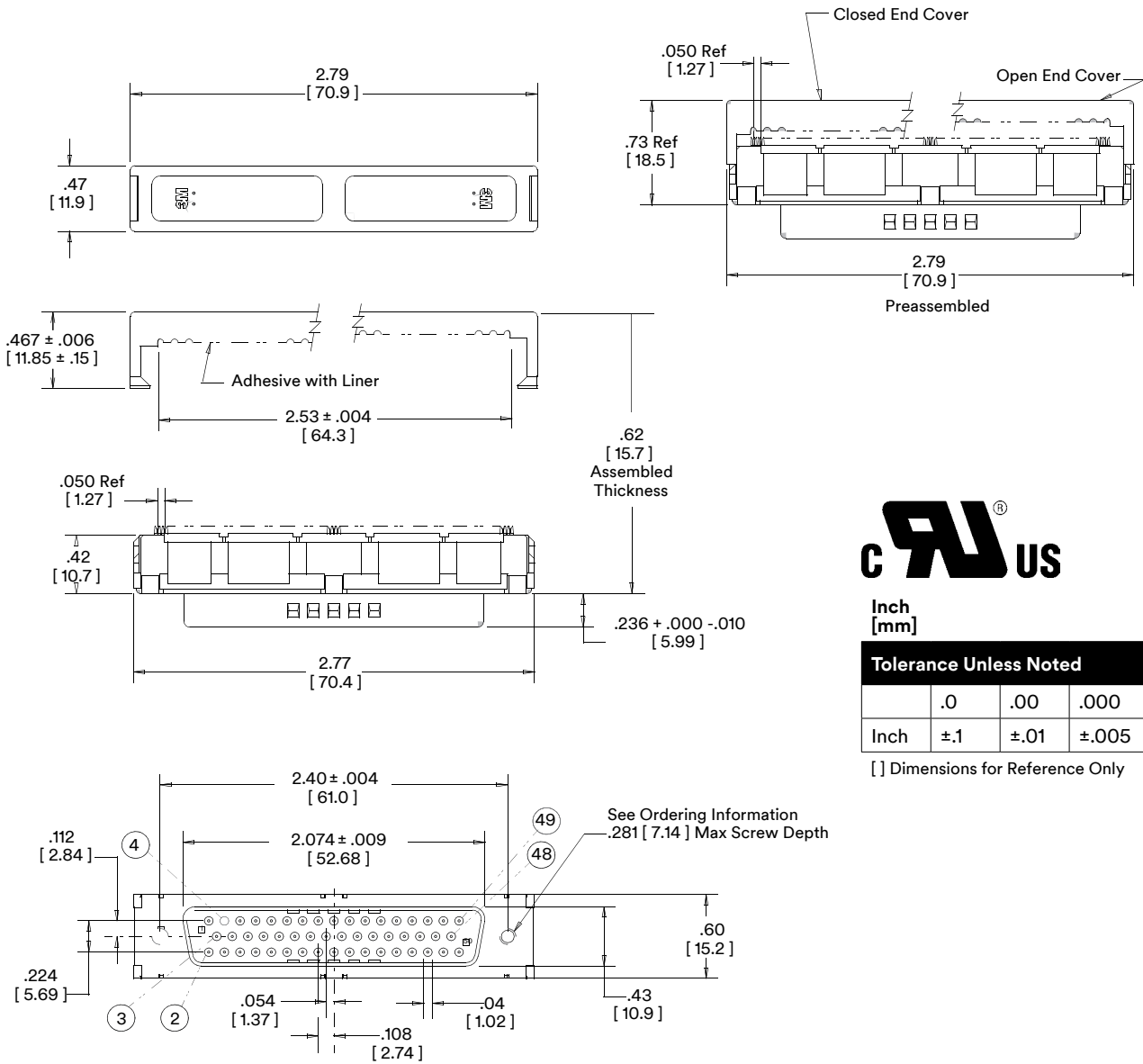
- IDC compatible
- Dimples aid in EMI/ESD protection
- Lower insertion/withdrawal force than other 50 position products
- Available in either open or closed end cover
- Mounting options include #4-40 UNC or metric M2.5 threaded inserts
- Conforms to Intelligent Peripheral Interface (IPI) standard
- See Regulatory Information Appendix for chemical compliance information

Physical	
Insulation: Material Flammability Color	Glass Filled Polyester (PBT) UL 94V-0 Gray
Contact: Material	Copper Alloy
Plating: Underplating Wiping Area	100 μ" [2.54 μm] Nickel 30 μ" [0.76 μm] Gold
Shell: Material Plating	Steel Bright Nickel
Strain Relief Material	Stainless Steel - .020 [0.50] Thick
Wire Accommodation	26 and 28 AWG Solid or Stranded
Marking	3M Logo and Contact Position Numbers
Electrical	
Current Rating	1 A
Insulation Resistance	> 1 × 10 ⁹ Ω at 500 V _{DC}
Withstanding Voltage	1,000 V _{RMS} at Sea Level
Environmental	
Temperature Rating	-55°C to +105°C

UL File No.: E68080

3M™ D Sub Plug

50 Position – 8250 Series



Inch
[mm]

Tolerance Unless Noted			
	.0	.00	.000
Inch	±.1	±.01	±.005

[] Dimensions for Reference Only

Notes:

1. Circled Numbers represent cable conductor number. (xx)
2. Preassembled closed cover is on Pin #1 side.

Ordering Information

Connector
8250 - X00X

Cover Style:
6= Open Cover
7= Closed Cover

Mounting Style:
5 = 4-40 UNC
6 = M2.5

Strain Relief

(Order Separately)

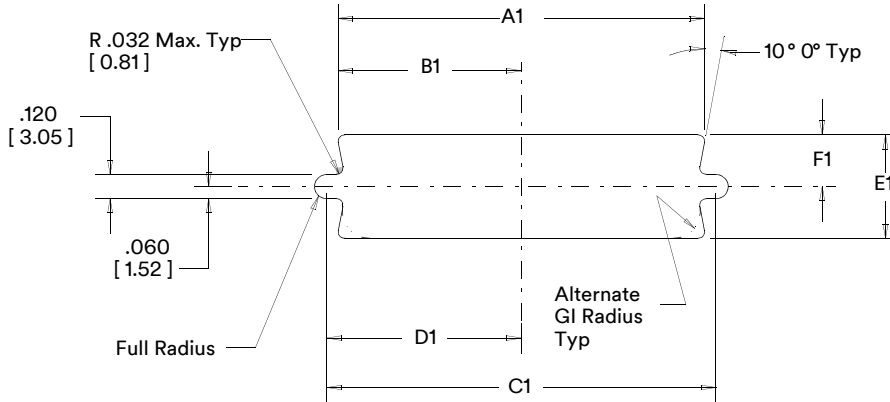
3448 - 8D50

3M™ D Sub Plug

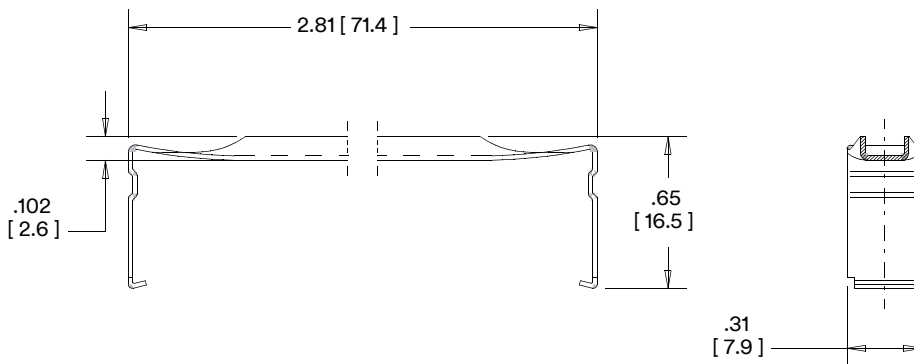
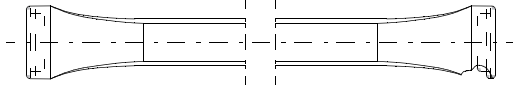
50 Position – 8250 Series

Mounting Method*	Contact Quantity	Dimensions						
		A1	B1	C1	D1	E1	F1	G1
Rear	50	2.218 [56.34]	1.109 [28.17]	2.40 [61.0]	1.20 [30.48]	0.525 [13.34]	0.26 [6.60]	0.120 [3.05]

*Rear Mount - The connector is mounted behind the panel.



Strain Relief
(Order Separately)
Material: Stainless Steel



Electronics Materials Solutions Division

6801 River Place Blvd.
Austin, TX 78726-9000

Phone 1-800-225-5373
Web 3M.com/electronics

3M is a trademark of 3M Company.
Please recycle.
©3M 2016. All rights reserved.
78-5100-0035-5

TS-0035-D
Sheet 3 of 3