



Chipsmall Limited consists of a professional team with an average of over 10 year of expertise in the distribution of electronic components. Based in Hongkong, we have already established firm and mutual-benefit business relationships with customers from,Europe,America and south Asia,supplying obsolete and hard-to-find components to meet their specific needs.

With the principle of “Quality Parts,Customers Priority,Honest Operation,and Considerate Service”,our business mainly focus on the distribution of electronic components. Line cards we deal with include Microchip,ALPS,ROHM,Xilinx,Pulse,ON,Everlight and Freescale. Main products comprise IC,Modules,Potentiometer,IC Socket,Relay,Connector.Our parts cover such applications as commercial,industrial, and automotives areas.

We are looking forward to setting up business relationship with you and hope to provide you with the best service and solution. Let us make a better world for our industry!



Contact us

Tel: +86-755-8981 8866 Fax: +86-755-8427 6832

Email & Skype: info@chipsmall.com Web: www.chipsmall.com

Address: A1208, Overseas Decoration Building, #122 Zhenhua RD., Futian, Shenzhen, China

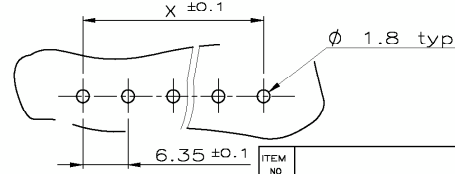
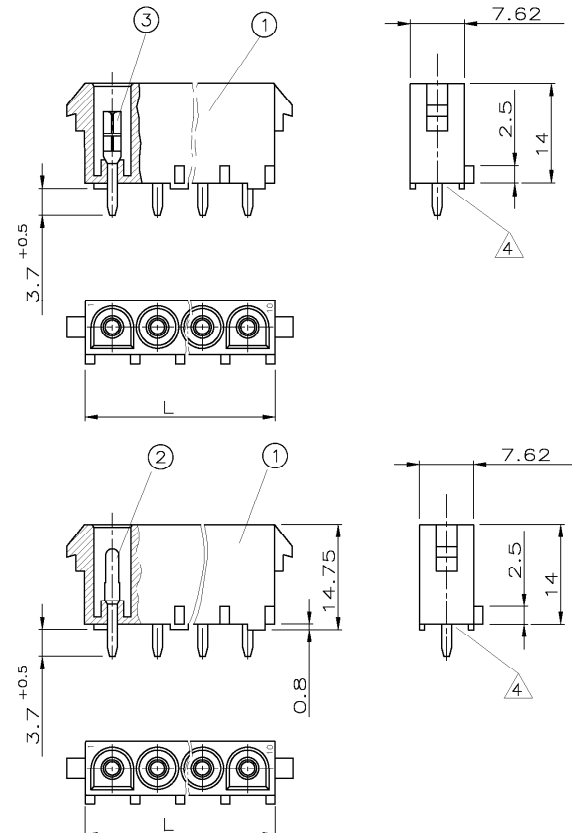


Leiterplatten-LAYOUT

Bestellbeispiel:

- 2-826-839-3 besteht aus:
 - 2-pol. UMNL PC HEADER HSG. (NATURAL)
 - UMNL Stiftkontakt (selectiv vergoldet)

- 3 Nur erste und letzte Kontaktkammer bezeichnet
- 4 Kontaktausdrückkraft größer 20N pro Kontakt



ITEM NO	HOUSING	CONTACT		TYP	UMNL PIN		UMNL SOCKET		
		PN	COLOR		MAT	select Gold		select Gold	
						CuSn nachverzinkt über Ni	CuSn select Gold	CuSn nachverzinkt über Ni	CuSn select Gold
					1-167654-3	1-167654-4	1-167656-3	1-167656-4	
					PN	PN	PN	PN	
					DWG SIZE	B	B	B	
	2 WAY UMNL PC.HEADER	926310	-1 Natural -2 Black -3 Natural -4 White -5 Orange -6 Black -7 Natural	D	Replacing 360428-1 Replacing 360786-1 826839	1 Replacing 350428-4 3 Replacing 350786-3 2 826839	1 Replacing 350789-4 3 Replacing 350824-1 2 826846	1 Replacing 350789-5 3 Replacing 350824-4 2 826846	
-4 SUPERSEDED BY -3									
	3 WAY UMNL PC.HEADER	926311	-1 Natural -2 Black -3 Natural -4 White -5 Orange -6 Black -7 Natural	D	Replacing 350429-1 Replacing 350789-1 826840	1 Replacing 350429-4 3 Replacing 350789-3 2 826840	1 Replacing 350789-4 3 Replacing 350825-1 2 826847	1 Replacing 350789-5 3 Replacing 350825-4 2 826847	
-4 SUPERSEDED BY -3									
	4 WAY UMNL PC.HEADER	926312	-1 Natural -2 Black -3 Natural -4 White -5 Orange -6 Black -7 Natural	D	Replacing 350430-1 Replacing 350792-1 826841	1 Replacing 350430-4 3 Replacing 350792-3 2 826841	1 Replacing 350781-4 3 Replacing 350826-1 2 826848	1 Replacing 350781-5 3 Replacing 350826-4 2 826848	
-4 SUPERSEDED BY -3									
	5 WAY UMNL PC.HEADER	926313	-1 Natural -2 Black -3 Natural -4 White -5 Orange -6 Black -7 Natural	D	Replacing 640466-1 Replacing 640900-1 826842	1 Replacing 640466-3 3 Replacing 640900-3 2 826842	1 Replacing 640467-1 3 Replacing 640901-1 2 826849	1 Replacing 640467-3 3 Replacing 640901-3 2 826849	
-4 SUPERSEDED BY -3									
	6 WAY UMNL PC.HEADER	926314	-1 Natural -2 Black -3 Natural -4 White -5 Orange -6 Black -7 Natural	D	Replacing 641831-1 826843	1 Replacing 641831-4 2 826843	1 Replacing 770262-3 2 826850	1 Replacing 770262-5 2 826850	
-4 SUPERSEDED BY -3									
	8 WAY UMNL PC.HEADER	926315	-1 Natural -2 Black -3 Natural -4 White -5 Orange -6 Black -7 Natural	D	Replacing 641828-1 Replacing 641828-1 826844	1 3 826844	826851	3 826851 2 826851	
-4 SUPERSEDED BY -3									
	10 WAY UMNL PC.HEADER	926316	-1 Natural -2 Black -3 Natural -4 White -5 Orange -6 Black -7 Natural	D	826845	2 826845	826852	2 826852	
-4 SUPERSEDED BY -3									

- NEUES MATERIAL (PHOSPHOR UND HALOGEN FREI) AUSSEHEN:WEISS
- MATERIAL ZYTEL E 103 HSL
- MATERIAL PA 6 UL 94 V2
- BULK PACKAGING IN PLASTIC BAG & CORRUGATED SHIPPING BOX PN 973058-3
- GWT 750° (WITHOUT FLAME) ACC.IEC 60335-1 EDITION 06/2001
- PN 826845-3 IS USING PIN PN 770528-1 & PN 826852-3 IS USING SOCKET PN 350574-4

926 302	57.15	64.77	10
926 301,640 582,640 586	44.45	52.07	8
936 309,640 581,640 585	31.75	39.37	6
926 299,350 809,480 763	25.40	33.02	5
926 298,350 779,480 702	19.05	26.67	4
350 766,480 700	12.70	20.32	3
350 777,480 698	6.35	13.97	2
Passend zu Steckergehäuse	"X"	"L"	Polzahl

ZEICHNUNG GÜLTIG AB 01./96.					
STE TE Connectivity					
BENENNUNG UMNL IN-LINE PC.HEADER ASSY					K
NICHT TOLERIERTE MASSE ± 0.2mm ± 1.5°					
BESTELL-NR.	POS.	STÜCK	BENENNUNG EINZELTEIL	WERKSTOFF	OBERFLÄCHE FARBE
			GEZ. H.Oehme	GEPR. -	
FORMAT A2			ZEICHNUNGS-NR. C-826839		
MAGSTAB 2:1(5:1)			BLATT 1 VON 1 REV: M14		