



Chipsmall Limited consists of a professional team with an average of over 10 year of expertise in the distribution of electronic components. Based in Hongkong, we have already established firm and mutual-benefit business relationships with customers from,Europe,America and south Asia,supplying obsolete and hard-to-find components to meet their specific needs.

With the principle of “Quality Parts,Customers Priority,Honest Operation,and Considerate Service”,our business mainly focus on the distribution of electronic components. Line cards we deal with include Microchip,ALPS,ROHM,Xilinx,Pulse,ON,Everlight and Freescale. Main products comprise IC,Modules,Potentiometer,IC Socket,Relay,Connector.Our parts cover such applications as commercial,industrial, and automotives areas.

We are looking forward to setting up business relationship with you and hope to provide you with the best service and solution. Let us make a better world for our industry!



## Contact us

Tel: +86-755-8981 8866 Fax: +86-755-8427 6832

Email & Skype: info@chipsmall.com Web: www.chipsmall.com

Address: A1208, Overseas Decoration Building, #122 Zhenhua RD., Futian, Shenzhen, China



### 0.5 Nm ovoid 1.4 and 3.2 Watts 1.4 W Part number made to order



- Gearbox 0.5 Nm
- Motor power max. 3.2 W
- Class A EMC interference suppression (radiated)
- Compatible with 6 V, 9 V or 12 V battery power supply
- Optional class B interference suppression
- Optional 1, 5, 12 or 48 pulses/rev encoder

#### Part numbers

	Type	Type	Voltage	Output speed (rpm)	Ratios (i)
82714013	1.4 W	827140	24 V	40	250/3

#### Specifications

##### General characteristics

Motor	82710002
Gearbox	810210
Maximum permitted torque from gearmotor under continuous conditions for 1 million turns (Nm)	0,5
Axial load static (daN)	1
Radial load static (daN)	8
Max. output power (W)	1,4
Nominal output (W)	1
Gearbox case temperature rise (°C)	40
Weight (g)	120

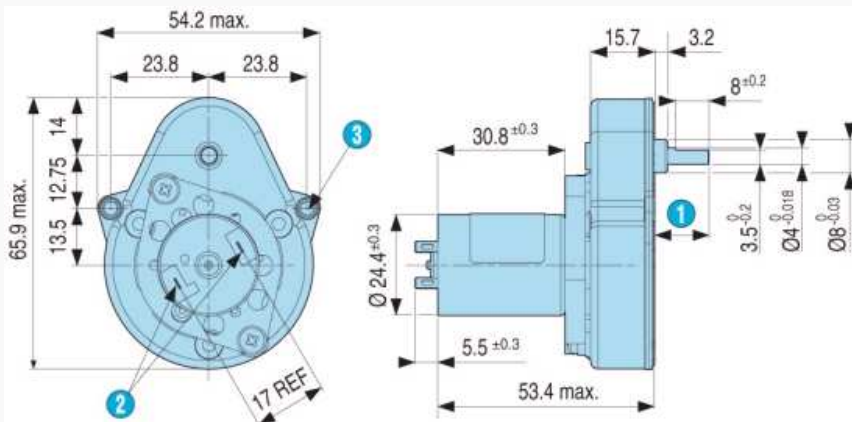
#### Made to order products, available on request

For more than 1000 pieces

- 48 pulses/rev encoder
- Class B filter
- Case N°2 (for other fixing points see diagram)
- Gearbox shaft
- Bearings for heavy radial loads
- Connections
- Reinforced gears
- For other types please consult Crouzet

#### Dimensions (mm)

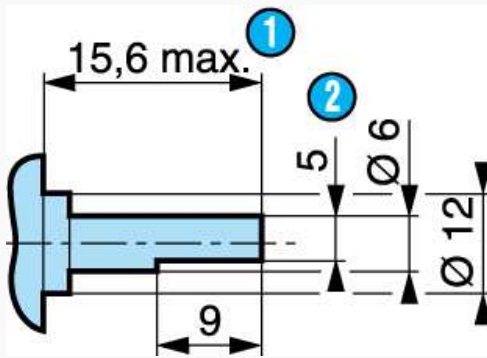
827140



N°	Legend
1	13.2 mm max. shaft pushed-in
2	2 solder tags 2.8 x 0.5 mm
3	2 fixing holes Ø 3.2 mm

## Dimensions (mm)

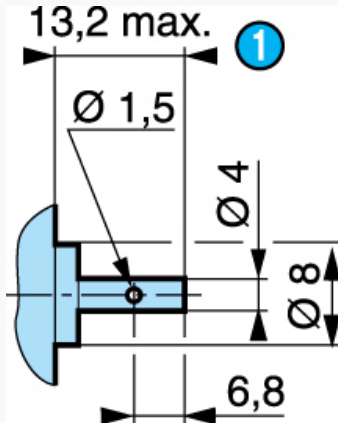
Shaft 70999421  
SP1295.10



N°	Legend
1	Shaft pushed-in
2	5 across flats

## Dimensions (mm)

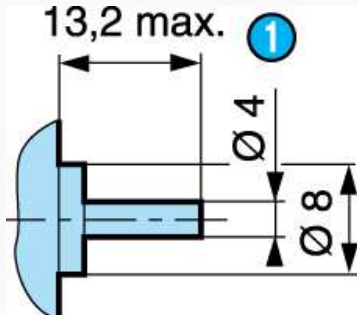
Shaft 79200779



N°	Legend
1	Shaft pushed-in

## Dimensions (mm)

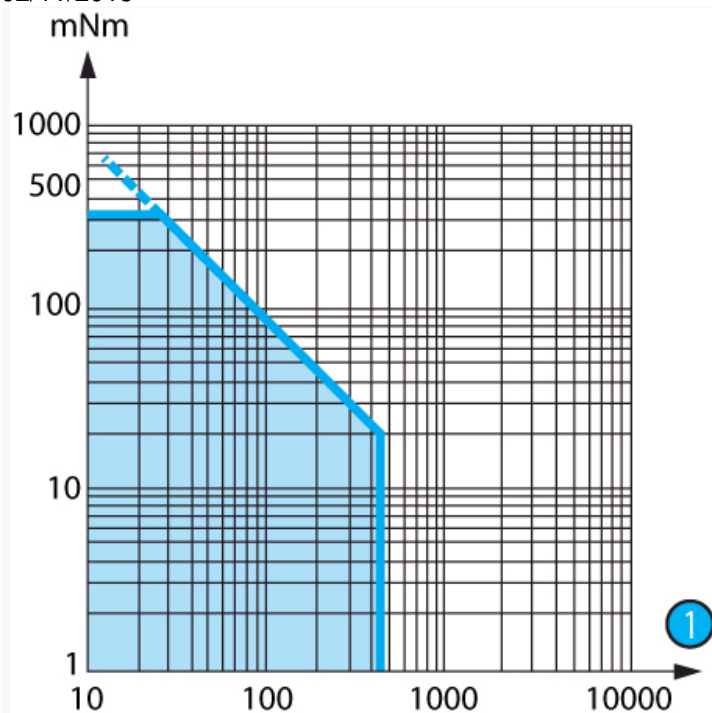
Shaft 79200967



N°	Legend
1	Shaft pushed-in

## Curves

Curve : torque/nominal speed 827140 (24 V)



N°	Legend
1	rpm

#### Product adaptations



- Special supply voltage
- Lead output
- Special connectors
- Special shaft
- Special reduction ratio
- Special materials for gears
- Special ball bearings
- Special adaptor plate
- Class B EMC filter
- Friction
- Y system
- Greasing at low temperature
- Different number of pulses